


MOTO GUZZI®

SPARE PARTS CATALOGUE



**MGX 21 FLYING FORTRESS
1400 ABS E4 2016 (EMEA)**

Chassis prefix: ZGULCA00



Engine prefix:

Index

Finished products.....	5
Alphanumeric index.....	6
Frame.....	13
Table 01.010 - Frame.....	13
Table 01.020 - Foot rests.....	15
Table 01.030 - Central stand.....	17
Table 01.040 - Protection.....	18
Table 01.050 - Swing arm.....	19
Body.....	20
Table 02.030 - Front mudguard-Pillar.....	20
Table 02.040 - Front fairing.....	21
Table 02.090 - Tank cover.....	23
Table 02.100 - Central body.....	24
Table 02.120 - Saddle.....	25
Table 02.130 - Saddle compartment.....	26
Table 02.150 - Rear mudguard.....	27
Table 02.170 - Locks.....	28
Table 02.190 - Decal.....	29
Table 02.210 - Valigia DX.....	30
Table 02.220 - Valigia SX.....	32
Engine.....	34
Table 03.010 - Engine-Completing part-Lever.....	34
Table 03.020 - Gear lever.....	35
Table 03.030 - Crankcases I.....	36
Table 03.040 - Crankcases I.....	38
Table 03.050 - Air box.....	39
Table 03.060 - Throttle body.....	40
Table 03.090 - Head cover.....	41
Table 03.100 - Cylinder head - valves.....	42
Table 03.120 - Timing system.....	43
Table 03.135 - RH cylinder timing system I.....	44
Table 03.145 - LH cylinder timing system I.....	46
Table 03.150 - Cylinder - Piston.....	48
Table 03.160 - Drive shaft.....	49
Table 03.170 - Gear box / Selector / Shift cam.....	50
Table 03.180 - Gear box - Gear assembly.....	52
Table 03.190 - Lubrication.....	54
Table 03.195 - Oil filters.....	55
Table 03.196 - Blow-by system.....	56
Table 03.200 - Oil pump.....	57
Table 03.230 - Clutch.....	58
Table 03.290 - Starter / Electric starter.....	59
Table 03.300 - Cdi magneto assy / Ignition unit.....	60

Table 03.320 - Secondary air.....	61
Table 03.330 - Exhaust pipe.....	62
Table 03.340 - Transmission complete.....	63
Table 03.350 - Rear transmission / Components.....	64
Suspensions.....	65
Table 04.060 - Front fork Kaifa.....	65
Table 04.080 - Shock absorber.....	67
Wheels.....	68
Table 05.010 - Front wheel.....	68
Table 05.020 - Rear wheel.....	69
Brake system.....	70
Table 06.010 - Front master cilinder.....	70
Table 06.020 - Front brake caliper.....	71
Table 06.030 - Rear master cylinder.....	72
Table 06.040 - Rear brake caliper.....	73
Table 06.050 - ABS Brake system.....	74
Handlebar - Controls.....	75
Table 07.010 - Steering.....	75
Table 07.020 - Handlebar - Controls.....	76
Table 07.030 - Clutch control.....	77
Lights - Instruments.....	78
Table 08.010 - Front lights.....	78
Table 08.020 - Instruments.....	79
Table 08.030 - Rear lights.....	80
Table 08.40 - Radio.....	81
Tank.....	82
Table 09.010 - Fuel tank.....	82
Table 09.020 - Fuel vapour recover system.....	83
Cooling system.....	84
Table 10.010 - Oil radiator.....	84
Electrical systems.....	85
Table 11.010 - Front electrical system.....	85
Table 11.020 - Central electrical system.....	87
Table 11.030 - Rear electrical system.....	89

Finished products

Code	Validity
GU9032806EUG00	
GU9032806EUG01	
GU9032806EUG99	
GU9K32806EUG01	

Code	No. table	Pos.	Code	No. table	Pos.	Code	No. table	Pos.
013763	03.190	18	2B000219	09.020	8	2B002418	02.220	22
015792	03.135	5	2B000237	02.190	8	2B002418	02.220	39
015792	03.145	5	2B000331	11.020	26	2B002451	03.320	23
031056	08.030	5	2B000353	11.020	11	2B002457	06.030	16
145298	11.020	21	2B000354	11.020	12	2B002480	06.030	20
184142	02.150	16	2B000460	01.030	1	2B002488	07.020	3
1A000425	03.135	27	2B000471	03.020	1	2B002534	06.030	18
1A000425	03.145	27	2B000473	06.030	1	2B0025435	03.330	2
1A008362	03.030	16	2B000480	01.010	13	2B0025445	03.330	1
1B000888	02.040	17	2B000506	01.010	4	2B002547	03.330	4
1B000888	02.100	5	2B000889	10.010	1	2B002548	03.330	3
224566	03.195	8	2B001407	03.196	9	2b002550	04.060	1
237553	03.200	7	2B001567	02.170	3	2b002551	04.060	2
244585	03.145	32	2B001587	01.020	32	2B0026065	03.330	7
248419	02.040	32	2B001588	01.020	20	2B0026075	03.330	8
248419	02.100	4	2B001599	06.050	13	2B002608	08.010	13
248419	02.120	15	2B001601	06.030	19	2B002627	05.010	1
248419	02.150	19	2B001627	04.060	6	2B002642	02.030	1
248419	02.210	34	2B001630	04.060	7	2B002643000YN4	02.040	11
248419	02.220	34	2B001631	04.060	13	2B002644000YN4	02.040	12
248419	03.060	21	2B001633	04.060	4	2B002645	02.040	14
248419	11.010	15	2B001634	04.060	5	2B002646000YN5	08.020	3
248419	11.010	26	2B001639	03.060	19	2B002647000YN4	02.040	15
254485	01.040	16	2B001640	03.060	18	2B002648000YN4	02.040	16
254485	02.210	33	2B001666	07.010	1	2B002649000YN5	02.040	13
254485	02.220	33	2B001667	07.010	2	2B002650000YN5	02.040	23
254485	03.050	18	2B001690	07.020	7	2B002651000YN5	02.040	6
254485	03.320	20	2B001691	07.020	6	2B002652000YN5	02.040	5
254485	03.330	11	2B001709	01.010	6	2B002653	02.040	7
254485	06.050	6	2B001733	01.020	21	2B002654	02.040	8
254485	08.010	19	2B001738	01.020	22	2B002655	02.040	9
254485	10.010	5	2B001739	01.020	33	2B002656	02.040	10
254485	11.010	30	2B001747	03.020	6	2B002657	02.040	2
259349	02.150	21	2B001747	06.030	6	2B002658	02.040	1
259349	02.210	21	2B001786	02.100	2	2B002659	02.040	3
259349	02.220	21	2B001787	02.100	1	2B002661000YN5	02.040	21
273774	01.010	11	2B001908	03.020	8	2B002662000YN4	02.150	1
285846	03.100	8	2B001944	06.030	8	2B002664	02.150	7
288474	03.020	7	2B002024	04.080	5	2B002665	02.150	11
288474	06.030	7	2B002025	04.080	1	2B002668000YN4	02.150	9
2A000072	03.230	8	2B002082	03.320	24	2B002669	02.150	3
2A000080	03.135	26	2B002101	03.320	14	2B002670	08.030	3
2A000080	03.145	26	2B002102	03.320	5	2B002671	02.100	6
2A000081	03.135	33	2B002139	03.320	18	2B002672	02.100	7
2A000081	03.145	34	2B002143	03.330	9	2B002675000C1	02.120	1
2A000082	03.135	14	2B002146	06.030	9	2B002677000C1	02.120	13
2A000082	03.145	14	2B002187	01.040	15	2B002679000YN4	02.150	2
2A0000920A	03.160	3	2B002187	08.010	18	2B002685	07.020	1
2A0000920B	03.160	3	2B002217	03.330	20	2B002686	07.020	2
2A0000920C	03.160	3	2B002248	09.010	21	2B002689	06.020	2
2A000096	03.300	7	2B002249	09.010	20	2B002690	06.020	1
2A000107	03.230	1	2B002262	03.320	17	2B002692	02.120	3
2A000251	03.135	9	2B002265	03.320	3	2B002696000C1	02.120	12
2A000252	03.135	12	2B002266	03.320	4	2B002703	07.020	4
2A000484	03.100	2	2B002270	04.060	9	2B002704	07.020	9
2A000485	03.100	1	2B002289	03.320	8	2B002710	01.040	17
2A000486	03.320	27	2B002297	01.010	26	2B002711	01.040	18
2A000578	03.060	17	2B002314	03.320	15	2B002717	08.010	1
2A000668	03.195	1	2B002322	03.320	16	2B002725	08.010	12
2B000031	02.190	7	2B002339	03.020	4	2B002733	02.040	22
2B000032	02.190	6	2B002347	01.020	26	2B002734	05.010	22
2B000089	06.050	15	2B002416	05.010	13	2B002740	04.080	6
2B000090	05.020	20	2B002417	01.010	40	2B002740	06.030	15
2B000141	04.080	4	2B002417	02.150	22	2B002745	01.040	13
2B000147	09.010	1	2B002418	02.150	13	2B002746	08.010	11
2B000147500YN4	09.010	1	2B002418	02.210	22	2B002790	08.010	4
2B000217	01.040	4	2B002418	02.210	39	2B002791	08.010	9

Code	No. table	Pos.	Code	No. table	Pos.	Code	No. table	Pos.
2B002792	07.010	18	2B003525	04.060	25	621099	02.210	14
2B002803	07.010	20	2B003645	02.220	4	621099	02.220	14
2B002816	01.010	1	2B003646	02.210	4	621914	03.190	17
2B002827	01.030	4	2B003854	04.060	33	621914	03.195	14
2B002836500YN4	02.220	31	2B003859	01.010	42	622236	03.050	6
2B002837500YN4	02.210	31	2B003876	01.010	43	639542	01.030	12
2B0028385	03.090	11	2B004087	03.330	27	641541	03.190	12
2B0028395	03.090	1	2D000003	02.170	2	641652	11.010	10
2B002840	02.220	1	2D000004	02.170	5	641901	11.010	2
2B002841	02.210	1	2D000006	02.170	7	642248	11.020	29
2B002845	05.020	1	2D000119	08.020	1	651014	03.330	28
2B002848	07.010	13	2D000120	08.40	13	654174	06.010	7
2B002861	02.030	3	2D000121	08.40	1	654174	07.030	12
2B002863	02.090	1	2D000122	08.40	6	825597	03.100	12
2B002864	01.040	3	2D000123	08.40	4	825597	03.150	12
2B002865	02.150	8	2D000124	08.40	12	825694	03.135	22
2B002886	02.220	5	2D000125	08.40	11	825694	03.145	22
2B002888	02.210	5	2D000163	07.020	15	829122	03.195	2
2B002894	02.090	5	2D000180	11.010	24	829232	03.120	13
2B002895	02.090	7	2D000181	11.010	23	829486	03.200	5
2B002962	02.150	23	2D000182	11.010	22	829661	03.200	6
2B002963	04.060	29	2D000193	06.050	1	832029	11.010	33
2B002964	04.060	27	2D000218	07.020	14	842360	03.135	6
2B002966	02.170	1	2D000228	07.020	5	842360	03.145	6
2B0030075	03.330	15	2D000229	07.020	8	842420	02.030	5
2B0030085	03.330	16	2D000237	07.020	10	843213	01.040	24
2B003011	03.330	13	2D000239	08.030	1	843213	02.210	13
2B003012	03.330	14	2D000240	08.030	2	843213	02.220	13
2B003024	02.090	5	2D000241	08.020	8	849131	03.160	4
2B003025	02.090	7	2D000248	08.020	2	849866	03.150	19
2B003069	02.210	3	2D000249	11.010	36	851550	01.030	8
2B003069	02.220	3	2D000252	11.020	1	851821	01.020	15
2B003079	05.020	16	2D000253	11.010	37	851922	07.010	22
2B003080	05.010	7	2D000267	08.030	6	85220R	03.230	3
2B003107	08.030	4	2D000284	08.030	7	85269R	03.120	11
2B003145000YN4	02.220	6	2D000349	08.020	9	854555	08.010	6
2B003146000YN4	02.210	6	2G000203	02.190	11	854556	08.010	7
2B003159	01.040	19	2H000690	02.190	3	855028	03.320	26
2B003168	02.170	8	2H000691	02.190	2	855054	03.320	1
2B003172	01.020	18	2H001431000YN4	02.100	2	856048	06.010	2
2B003173	01.020	27	2H001432000YN4	02.100	1	856050	06.010	5
2B003183	02.220	8	2H001462	02.190	4	856050	07.030	4
2B003184	02.210	8	2Q000205	02.190	9	856062	09.020	2
2B003208100YN4	02.220	9	2Q000208	02.190	10	856063	09.020	1
2B003209100YN4	02.210	9	2R000231	03.340	1	856152	11.020	15
2B003231	02.220	7	411209	03.030	2	857181	03.320	12
2B003232	02.210	7	414835	03.200	9	857265	03.170	37
2B003266	02.210	19	414837	03.135	17	857306	03.060	16
2B003266	02.220	19	414837	03.145	17	857494	03.170	38
2B0033036	02.220	18	434947	03.190	9	858423	06.010	4
2B0033046	02.210	18	436438	03.100	6	858424	07.030	3
2B003307	05.010	23	478171	08.010	22	858882	11.030	1
2B003333	07.010	16	478533	10.010	9	859792	05.010	19
2B003335	08.40	3	487444	03.135	23	859792	05.020	13
2B003341	07.010	15	487444	03.145	23	860746	06.050	2
2B003352	02.040	24	487567	03.320	25	860746	11.020	16
2B003353	02.040	25	560110	03.030	4	872230	03.060	4
2B003354	02.040	29	567603	03.050	10	872264	03.060	2
2B003355	02.040	19	575268	02.210	10	872695	03.100	3
2B003355000YN4	02.040	19	575268	02.220	10	872696	03.100	4
2B003356	02.040	18	581061	11.020	14	872741	03.090	9
2B003356000YN4	02.040	18	582928	11.020	19	872742	03.090	5
2B003513	08.40	5	584344	03.330	18	872759	03.135	4
2B003520	02.150	6	621097	02.210	15	872759	03.145	4
2B003522	04.060	12	621097	02.220	15	873626	03.090	6
2B003523	04.060	14	621098	02.210	16	873626	03.100	11
2B003524	04.060	23	621098	02.220	16	873689	03.150	13

Code	No. table	Pos.	Code	No. table	Pos.	Code	No. table	Pos.
873690	03.150	14	886885	03.150	5	887831	07.010	8
873906	03.200	14	886886	03.150	6	887832	07.010	10
873928	03.120	8	886908	03.030	1	887875	05.010	11
874126	03.100	9	8869594	01.050	1	887875	05.020	10
874127	03.100	5	886967	05.020	15	887892	04.060	21
874223	03.190	5	886968	03.340	3	887950	03.190	11
874238	03.190	15	887013	01.010	7	887951	03.190	1
874293	03.160	2	887014	01.010	9	887955	11.010	1
874482	03.200	8	887015	03.060	6	887956	03.090	12
874567	03.150	7	887016	11.010	20	887979	03.060	1
874646	03.190	10	887030	03.120	10	890760	08.010	24
8746505	03.200	1	887044	03.120	14	890760	08.40	10
874655	03.195	12	887086	01.010	8	890760	11.010	31
874669	03.190	7	887161	03.135	3	890979	11.010	28
874801	03.200	10	887162	03.145	3	894603	11.020	3
875243	03.160	5	8871714	03.060	8	895328	03.020	16
875244	03.160	5	8871724	03.060	9	895481	11.030	16
876486	03.195	7	887248	01.010	25	895701	11.020	17
876879	03.330	17	887260	01.010	27	895839	02.190	5
877101	03.200	11	887261	01.010	12	895907	11.020	10
8783390001	03.160	3	887264	01.010	37	896174	02.150	24
8783390002	03.160	3	887282	03.060	12	896675	11.030	12
8783390003	03.160	3	887311	05.020	19	896715	11.030	11
878574	03.135	1	887318	03.020	17	898136	02.090	4
878574	03.145	1	8873300XNB	01.020	2	898396	03.020	11
878868	03.135	13	88733100XNB	01.020	1	898397	03.020	2
878868	03.145	13	887334	03.090	10	899064	03.190	4
879707	03.135	11	887339	07.030	13	969323	03.195	13
879707	03.145	11	887421	11.010	32	976179	03.180	9
879916	03.135	10	887429	05.010	2	976180	03.180	17
879916	03.145	10	887430	05.010	9	976312	03.150	11
879936	03.135	19	887439	05.010	12	976330	03.120	1
879936	03.145	19	887453	08.010	10	976331	03.120	4
879937	03.135	20	887454	03.100	13	976337	03.135	31
879937	03.145	20	887455	03.100	13	976337	03.145	31
879938	03.135	18	887456	03.100	13	976338	03.135	30
879938	03.145	18	887461	05.020	23	976338	03.145	30
879975	03.090	4	887488	02.130	1	976341	03.135	29
879987	03.090	7	887489	05.020	8	976341	03.145	29
880127	03.090	8	887490	06.040	1	976342	03.150	15
880965	03.135	28	887491	01.010	24	976350	03.135	25
880965	03.145	28	887495	05.020	12	976350	03.145	25
883118	02.210	41	887517	05.020	24	976355	03.120	6
883118	02.220	41	887518	05.020	22	976381	03.120	2
883818	11.030	10	887519	01.050	2	976478	03.040	9
884031	04.080	3	887522	03.340	4	976481	03.230	7
884044	03.230	6	887524	03.120	9	976488	03.120	3
886141	02.190	1	887530	05.020	2	976532	03.180	23
886235	10.010	6	887547	02.130	4	976533	03.180	22
886255	03.300	1	887550	07.030	1	976535	03.230	5
886820	02.120	10	887566	05.010	14	976564	03.230	10
8868550001	03.160	1	887578	05.010	15	976589	03.135	8
8868550002	03.160	1	887579	05.010	16	976589	03.145	8
8868550003	03.160	1	887583	06.050	14	976591	02.130	2
886859	03.050	1	887585	06.050	12	976591	03.090	3
886860	03.050	7	887586	04.060	28	976591	06.050	5
886861	03.050	5	887627	06.010	6	976592	03.190	8
8868655	03.170	5	887629	07.030	11	976593	03.230	12
886867	03.050	3	887728	01.010	17	976594	03.230	12
886869	03.060	22	887757	03.340	6	976595	03.230	12
886871	03.050	12	887764	06.010	1	976596	03.230	12
886875	03.170	15	887786	03.196	1	976597	03.190	6
8868810001	03.150	2	887798	06.050	4	976614	02.040	4
8868810002	03.150	2	887802	02.130	3	976614	03.060	20
8868810003	03.150	2	887805	03.090	2	976614	11.010	8
886883	03.150	3	887808	03.060	7	976631	03.040	1
886884	03.150	4	887816	03.330	22	976649	03.120	17

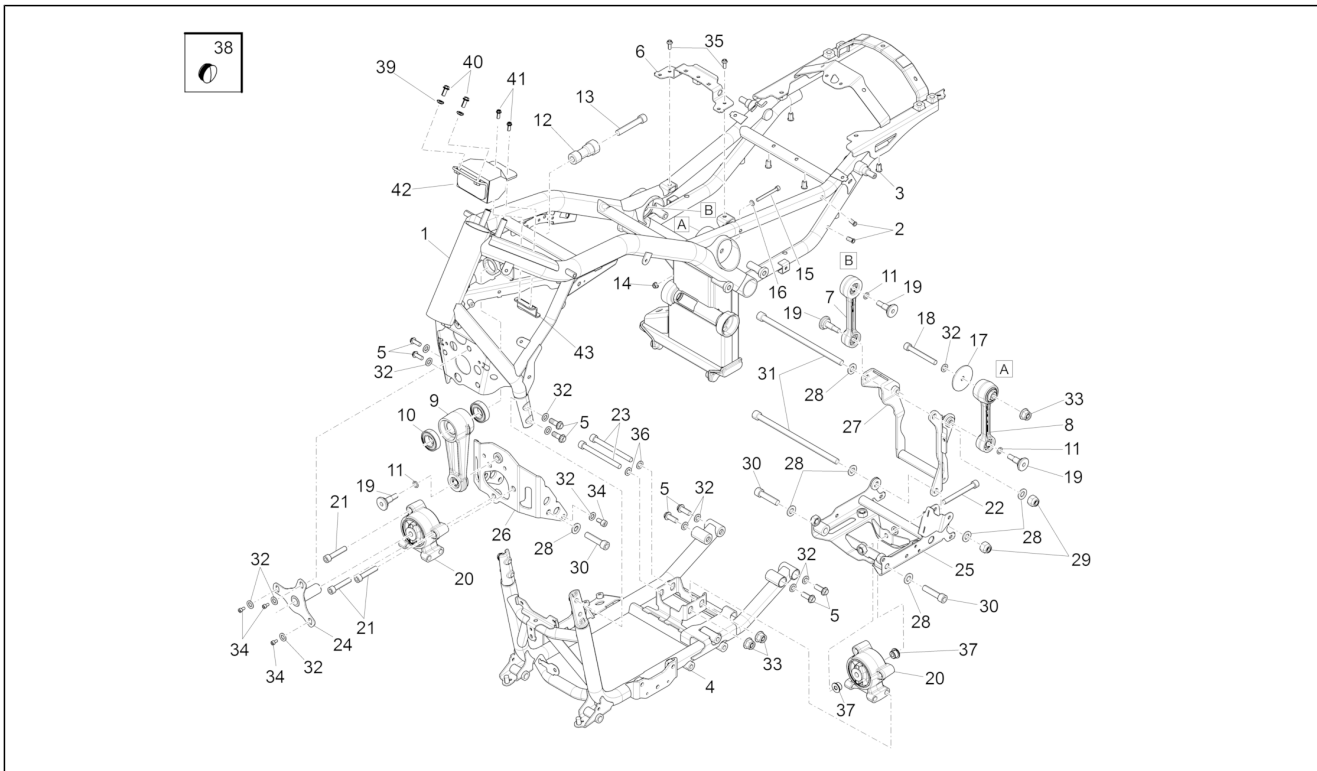
Code	No. table	Pos.	Code	No. table	Pos.	Code	No. table	Pos.
976665	03.120	16	AP8120573	01.020	13	AP8150204	02.220	30
976674	03.135	24	AP8120573	01.020	25	AP8150211	03.350	12
976674	03.145	24	AP8120592	02.210	37	AP8150252	01.020	11
976680	03.190	16	AP8120592	02.220	37	AP8150285	03.030	25
976681	03.190	14	AP8120615	03.050	8	AP8150285	08.010	25
976696	03.230	14	AP8120712	11.020	28	AP8150287	01.010	22
976703	03.030	12	AP8120822	06.030	3	AP8150292	01.020	14
976899	03.150	10	AP8120876	03.050	21	AP8150311	01.030	14
9769975	03.170	1	AP8120952	03.170	10	AP8150311	09.010	14
97729R	03.290	1	AP8121014	01.030	9	AP8150329	01.010	21
977527	02.170	4	AP8121015	01.030	10	AP8150362	02.040	27
977916	11.020	18	AP8121032	02.040	34	AP8150362	02.150	25
978301	01.010	38	AP8121032	08.010	15	AP8150362	08.030	13
978415	02.120	8	AP8121032	11.010	11	AP8150382	02.150	4
AP8101595	03.050	19	AP8121114	02.150	18	AP8150382	08.020	5
AP8101595	03.170	11	AP8121133	01.020	7	AP8150382	08.030	11
AP8101595	09.010	10	AP8121205	07.010	12	AP8150382	11.030	6
AP8101722	03.320	6	AP8121409	07.030	7	AP8150413	02.040	26
AP8101944	09.020	15	AP8121420	02.120	9	AP8150413	02.210	27
AP8101968	06.030	11	AP8121464	10.010	7	AP8150413	02.220	27
AP8102159	09.020	9	AP8121510	03.330	24	AP8150413	08.020	6
AP8102239	09.020	6	AP8121511	09.010	3	AP8150413	08.020	7
AP8102377	09.020	14	AP8121679	08.010	21	AP8150413	08.40	7
AP8102524	01.030	11	AP8121882	06.050	11	AP8150413	11.020	13
AP8102671	02.210	26	AP8121927	06.030	4	AP8150413	11.020	22
AP8102671	02.220	26	AP8123641	07.010	4	AP8150421	08.40	9
AP8102671	03.320	10	AP8123642	07.010	7	AP8150432	01.010	29
AP8102671	08.40	8	AP8123643	07.010	9	AP8150450	03.050	11
AP8102671	11.020	23	AP8123644	07.010	6	AP8150451	08.030	12
AP8102738	09.020	7	AP8124293	11.020	20	AP8150493	02.040	20
AP8102764	03.196	7	AP8124936	11.010	17	AP8150493	02.210	40
AP8102765	03.196	8	AP8125838	05.020	5	AP8150493	02.220	40
AP8102766	03.320	2	AP8125839	05.020	4	AP8150500	01.040	6
AP8102902	01.010	3	AP8125841	05.010	3	AP8150500	03.196	3
AP8102913	02.120	4	AP8125842	05.010	5	AP8150500	03.320	9
AP8104329	03.050	2	AP8127461	02.090	3	AP8150501	11.030	4
AP8104509	07.020	11	AP8127489	08.010	5	AP8150509	11.030	3
AP8104614	09.020	5	AP8133614	06.020	3	AP8150509	11.030	7
AP8104666	09.010	12	AP8133945	06.050	16	AP8150512	03.320	13
AP8110053	03.020	22	AP8133945	07.030	9	AP8150538	06.030	21
AP8110077	07.010	5	AP8134857	01.020	12	AP8150543	06.030	5
AP8110093	05.020	3	AP8144007	03.020	14	AP8150543	07.010	3
AP8110094	01.010	10	AP8144038	03.050	20	AP8152040	08.010	27
AP8110094	05.010	4	AP8144081	01.040	9	AP8152043	05.010	18
AP8110110	01.020	8	AP8144087	02.040	30	AP8152043	08.030	9
AP8112600	11.030	8	AP8144087	02.150	14	AP8152055	03.330	5
AP8112811	11.020	2	AP8144087	02.210	24	AP8152108	07.010	17
AP8113003	06.050	18	AP8144087	02.220	24	AP8152117	01.040	20
AP8113004	06.050	17	AP8144552	02.130	6	AP8152117	02.120	5
AP8113004	07.030	8	AP8144558	03.330	23	AP8152128	04.080	7
AP8113070	06.050	19	AP8144563	01.040	10	AP8152135	01.030	6
AP8113755	06.040	4	AP8144563	01.040	7	AP8152154	06.030	22
AP8120001	01.020	17	AP8144564	02.040	31	AP8152166	03.120	7
AP8120001	02.030	2	AP8144616	01.040	8	AP8152181	08.010	23
AP8120030	01.040	23	AP8144662	08.020	4	AP8152220	01.030	2
AP8120030	03.050	17	AP8150011	02.210	29	AP8152272	03.340	5
AP8120030	03.196	2	AP8150011	02.220	29	AP8152273	03.170	39
AP8120030	06.050	9	AP8150016	02.120	14	AP8152273	05.010	20
AP8120030	10.010	2	AP8150016	08.010	3	AP8152273	05.020	14
AP8120178	06.030	12	AP8150021	08.010	26	AP8152273	09.010	19
AP8120405	02.150	10	AP8150040	01.010	23	AP8152274	02.030	4
AP8120405	09.010	5	AP8150045	08.010	2	AP8152274	02.120	11
AP8120416	07.030	10	AP8150169	03.350	13	AP8152278	01.010	35
AP8120455	02.210	2	AP8150178	04.080	8	AP8152278	03.060	13
AP8120455	02.220	2	AP8150192	01.010	18	AP8152278	03.060	25
AP8120531	02.090	8	AP8150204	02.150	14	AP8152278	06.050	10
AP8120557	09.010	4	AP8150204	02.210	30	AP8152278	11.010	12

Code	No. table	Pos.	Code	No. table	Pos.	Code	No. table	Pos.
AP8152279	03.050	22	AP8163523	04.060	17	B063134	01.020	3
AP8152279	03.230	15	AP8163524	04.060	16	B063139	01.010	20
AP8152279	06.030	14	AP8163526	04.060	10	B063143	03.010	3
AP8152279	08.010	20	AP8163530	04.060	11	B06314300XNH	03.010	3
AP8152280	01.040	21	AP8201124	09.010	23	B063160	03.060	10
AP8152280	03.050	15	AP8201301	06.030	10	B063161	03.060	11
AP8152280	03.320	22	AP8201727	02.150	12	B063162	11.010	3
AP8152280	06.050	7	AP8201727	08.030	10	B063211	06.050	3
AP8152280	10.010	3	AP8201755	01.010	2	B063246	09.010	7
AP8152280	11.010	5	AP8201808	06.050	20	B063271	03.030	18
AP8152281	09.010	2	AP8201855	02.210	25	B063274	03.195	6
AP8152281	11.010	7	AP8201855	02.220	25	B063292	03.330	19
AP8152284	03.030	21	AP8202238	06.050	21	B063293	03.330	12
AP8152285	02.210	12	AP8202449	02.040	33	B063306	03.010	2
AP8152285	02.220	12	AP8202449	02.150	26	B063307	01.010	19
AP8152285	05.020	11	AP8202449	08.030	8	B063309	01.020	9
AP8152286	02.150	15	AP8210007	03.020	21	B063310	07.030	6
AP8152287	02.210	36	AP8220150	11.030	5	B063333	03.060	5
AP8152287	02.220	36	AP8220238	02.210	23	B063433	11.020	24
AP8152298	02.040	28	AP8220238	02.220	23	B063434	10.010	10
AP8152298	02.150	17	AP8220402	09.020	4	B063439	02.120	7
AP8152298	02.210	11	AP8220488	03.320	11	B063440	05.010	10
AP8152298	02.220	11	AP8221023	01.040	22	B063442	03.060	3
AP8152299	01.010	14	AP8221023	03.050	16	B063444	01.030	5
AP8152299	02.120	6	AP8221023	06.050	8	B063461	03.030	28
AP8152299	03.320	21	AP8221023	10.010	4	B063477	03.050	9
AP8152299	07.010	19	AP8221218	01.010	39	B063508	11.010	6
AP8152299	08.010	17	AP8224462	11.010	27	B063592	11.010	34
AP8152299	11.010	14	AP8224470	08.010	14	B063620	03.196	4
AP8152300	03.020	19	AP8706322	02.210	28	B063639	03.020	23
AP8152300	03.330	10	AP8706322	02.220	28	B063706	09.010	13
AP8152301	01.010	33	AP9150472	03.190	13	B06371600XN6	01.040	1
AP8152302	02.130	7	B005629	08.40	2	B06371700XN6	01.040	2
AP8152302	02.150	20	B013036	03.230	9	B063742	11.010	16
AP8152302	11.010	13	B013037	03.230	13	B063759	01.050	4
AP8152302	11.010	25	B013517	03.100	7	B063778	03.196	5
AP8152302	11.030	9	B013552	03.135	21	B063806	11.030	13
AP8152306	02.210	17	B013552	03.145	21	B06382000YE4	01.020	19
AP8152306	02.220	17	B0136034	03.145	9	B06382100YE4	01.020	10
AP8152306	07.010	21	B0136054	03.145	12	B063832	03.180	21
AP8152306	11.020	27	B013661	03.135	16	B063836	03.180	33
AP8152318	03.340	2	B013661	03.145	16	B063844	11.010	4
AP8152324	05.020	26	B014576	03.135	7	B063846	03.030	26
AP8152325	07.010	14	B014576	03.145	7	B063849	05.020	21
AP8152329	01.040	5	B015125	03.150	16	B063850	03.030	20
AP8152329	02.130	5	B015126	03.150	9	B063861	03.030	17
AP8152329	02.150	5	B016425	03.060	14	B063898	03.030	19
AP8152329	02.210	38	B016796	03.135	15	B063903	03.020	15
AP8152329	02.220	38	B016796	03.145	15	B063905	03.170	27
AP8152329	03.050	4	B017067	03.135	2	B063907	01.020	31
AP8152329	08.40	14	B017067	03.145	2	B063932	02.210	35
AP8152329	11.020	25	B017633	03.060	15	B063932	02.220	35
AP8152329	11.030	14	B017633	03.060	24	B063934	03.195	9
AP8152338	02.210	32	B017636	03.100	10	B063938	01.010	34
AP8152338	02.220	32	B043864	09.010	9	B063942	03.195	10
AP8152339	02.100	3	B044314	05.010	17	B063956	03.170	28
AP8152384	07.010	11	B0630111	03.230	12	B063957	03.050	13
AP8152385	01.020	6	B063012	03.230	12	B063977	03.180	32
AP8152414	06.020	6	B063013	11.030	2	B063978	03.180	31
AP8152526	01.010	41	B0630754	03.170	2	B063979	03.180	34
AP8161083	10.010	8	B063079	09.010	8	B064009	10.010	11
AP8163516	04.060	24	B063080	09.010	6	B064011	04.060	32
AP8163518	04.060	15	B063088	01.010	31	B064017	11.010	21
AP8163518	04.060	22	B063104	09.010	16	B064018	03.195	11
AP8163520	04.060	20	B063114	03.330	21	B064023	02.120	2
AP8163521	04.060	19	B063131	11.010	19	B064029	03.350	2
AP8163522	04.060	18	B063133	01.020	4	B064030	03.350	7

Code	No. table	Pos.	Code	No. table	Pos.	Code	No. table	Pos.
B064031	03.350	5	GU05214231	03.180	13	GU90706461	04.060	31
B064032	03.350	1	GU05214431	03.180	18	GU90706664	05.020	18
B064037	03.350	6	GU05214630	03.180	5	GU90718120	03.350	14
B064041	03.350	9	GU05214731	03.180	15	GU91120606	03.010	5
B064044	03.350	16	GU05215031	03.180	16	GU91120606	03.040	6
B064046	03.150	8	GU05215631	03.180	2	GU91180823	03.300	2
B064047	03.150	1	GU05230531	03.170	32	GU91600365	03.120	15
B064100	03.230	2	GU05230831	03.170	35	GU92201025	03.170	20
B064101	01.020	5	GU05232431	03.170	33	GU92201117	03.170	19
B064105	06.010	3	GU05232631	03.170	34	GU92201226	03.180	19
B064106	07.030	5	GU05234230	03.170	26	GU92201822	03.180	11
B064112	03.170	24	GU05234631	03.170	16	GU92208518	03.350	8
B064113	03.170	25	GU05235531	03.170	17	GU92232028	03.180	24
B064119	03.350	11	GU05236231	03.170	21	GU92249224	01.050	7
B064120	06.040	3	GU05238131	03.170	29	GU92252029	03.180	3
B064264	04.080	2	GU05238231	03.170	22	GU92605408	03.300	12
B064265	07.030	2	GU05238431	03.170	23	GU92606206	06.030	13
B064268	01.010	30	GU05239330	03.170	31	GU92606516	03.300	8
B064271	03.230	4	GU05256930	03.020	24	GU92609206	03.020	10
B064290	05.020	17	GU05351230	03.350	15	GU92630206	03.020	18
CM001904	03.196	6	GU05547030	01.050	6	GU92630206	11.010	9
CM017410	02.210	20	GU05547130	01.050	5	GU92630707	03.020	20
CM017410	02.220	20	GU05547930	01.050	8	GU92660012	03.300	5
CM225607	11.020	4	GU05702530	03.300	6	GU92660021	03.030	9
CM225610	11.020	5	GU05781630	04.060	8	GU92660021	03.330	25
CM225615	11.020	6	GU06704700	09.020	10	GU93180111	05.010	21
CM225620	11.020	7	GU12018900	03.030	6	GU93180220	03.170	4
CM225730	11.020	8	GU12022600	03.030	10	GU93222023	03.060	23
CM225740	11.020	9	GU13432640	03.020	3	GU93304390	01.050	3
CM226902	03.320	7	GU14085900	03.230	11	GU93306070	03.050	14
CM228401	01.020	30	GU14433400	03.120	12	GU95005306	03.200	13
CM267202	11.030	15	GU14615901	03.030	8	GU95005308	04.060	3
CM2692015	03.010	1	GU14615901	03.330	26	GU95005325	05.020	25
GU00823923140	01.030	15	GU14616150	05.010	8	GU95008205	09.010	15
GU00823931055	02.090	9	GU14616150	05.020	6	GU95008208	03.290	3
GU00823931080	01.040	14	GU18144350	03.170	7	GU95008210	01.010	32
GU00823944050	09.010	11	GU18144350	03.200	4	GU95008210	01.040	12
GU01106090	09.010	18	GU19002020	03.170	14	GU95008306	01.010	16
GU01107490	09.010	17	GU19152200	03.195	3	GU95008306	08.010	16
GU01116031	09.020	3	GU30158900	03.200	3	GU95008308	01.020	29
GU01154230	03.030	27	GU30441005	01.020	23	GU95008308	03.020	13
GU01154230	03.190	2	GU30611460	05.020	9	GU95008308	03.330	6
GU01154230	03.196	11	GU30654626	06.040	2	GU95008310	01.010	36
GU01161331	03.190	3	GU30714201	03.300	9	GU95008313	01.010	28
GU01161331	03.196	10	GU31003766	03.030	22	GU95100116	03.150	18
GU01528930	03.030	23	GU31003766	03.170	13	GU95100709	03.030	30
GU01528930	03.170	9	GU31003766	03.350	4	GU95129100	03.135	32
GU01528930	03.350	3	GU31159050	03.200	2	GU95129100	03.145	33
GU01659130	06.020	4	GU31256881	03.020	9	GU95129240	01.030	7
GU01659131	06.020	5	GU43262180	06.030	2	GU95129340	03.180	28
GU03013800	03.200	12	GU4FAN000030	03.300	10	GU95187006	03.195	4
GU03013800	08.010	28	GU61270300	03.030	14	GU95512081	03.030	3
GU03617710	05.010	6	GU90271014	03.170	30	GU95963062	09.020	12
GU03617710	05.020	7	GU90271022	03.170	18	GU95980319	03.170	6
GU05001630	03.040	7	GU90271030	03.180	8	GU95990023	09.020	13
GU05002130	03.040	3	GU90271125	03.180	27	GU96508066	03.030	5
GU05204930	03.170	8	GU90271230	03.180	6	GU96508075	03.030	7
GU05210631	03.180	1	GU90353014	03.170	36	GU97202355	03.170	3
GU05211030	03.180	29	GU90401424	03.170	12	GU98082475	03.290	2
GU05211131	03.180	25	GU90405367	03.030	15	GU98084314	03.195	5
GU05211231	03.180	26	GU90408511	03.350	10	GU98084425	03.030	13
GU05211331	03.180	10	GU90412237	03.040	2	GU98210616	03.010	4
GU05211431	03.180	7	GU90412541	03.180	20	GU98210616	06.030	17
GU05211530	03.180	30	GU90706009	09.020	11	GU98230619	08.010	8
GU05212031	03.180	4	GU90706141	11.010	18	GU98230620	04.080	9
GU05213631	03.180	12	GU90706178	03.030	29	GU98230850	03.300	11
GU05214031	03.180	14	GU90706203	03.030	11	GU98350210	02.090	6

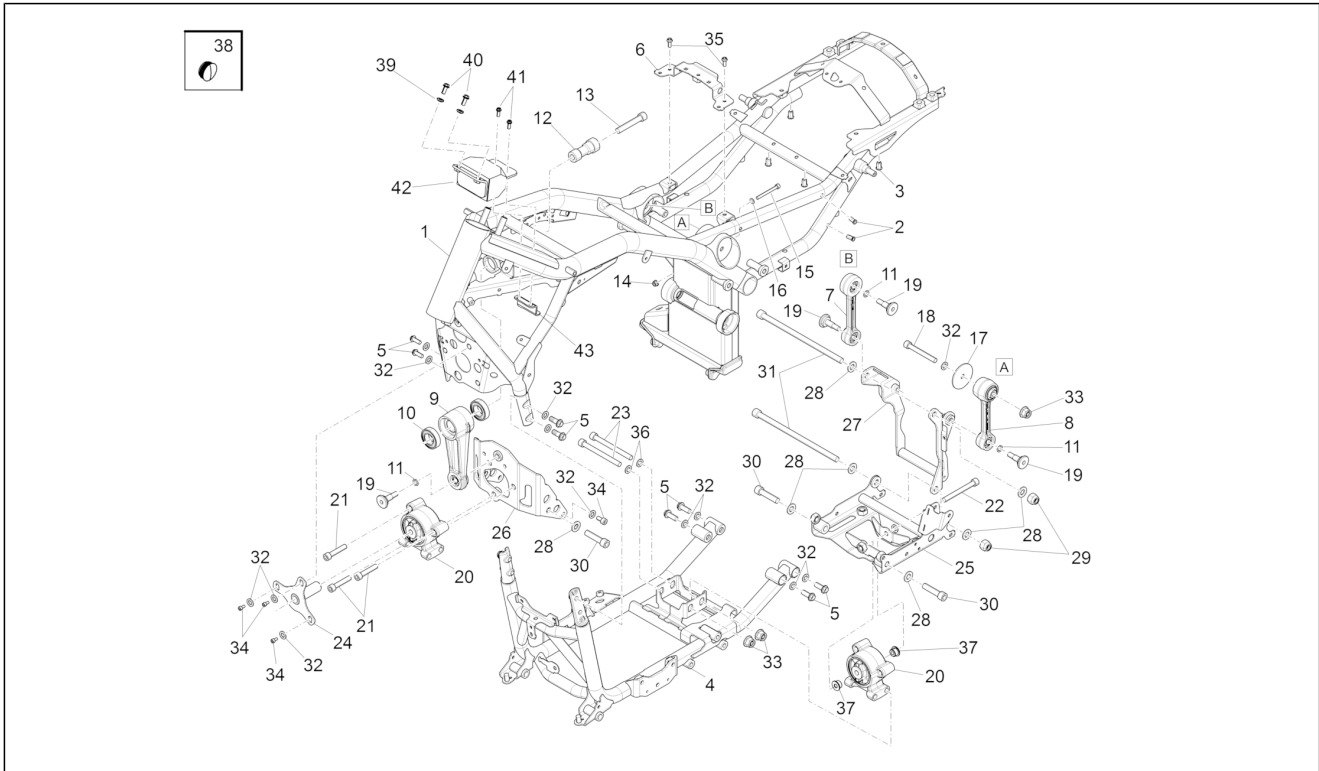
Code	No. table	Pos.
GU98350310	03.150	17
GU98350315	03.120	5
GU98370516	01.040	25
GU98370516	02.090	2
GU98370616	03.320	19
GU98370616	11.010	29
GU98370621	02.040	35
GU98610335	07.020	12
GU98612216	01.030	13
GU98612225	01.020	24
GU98620330	03.040	8
GU98620335	03.040	4
GU98620445	03.300	3
GU98620455	03.040	10
GU98620560	03.300	4
GU98680225	11.020	30
GU98680360	01.010	15
GU98680445	04.060	26
GU98680460	03.020	12
GU98682316	03.040	5
GU98682316	11.010	35
GU98682320	03.020	25
GU98682325	01.050	9
GU98682330	03.030	24
GU98682414	02.170	6
GU98682420	01.020	28
GU98682525	01.040	11
GU98682530	01.020	16
GU98683530	01.010	5
GU98690245	04.060	30
GU98690435	03.020	5
GU98692425	07.020	13
GU98880540	01.030	3
GU98882416	09.010	22

Group	Frame
Code	01.010
Description	Frame
Service	1



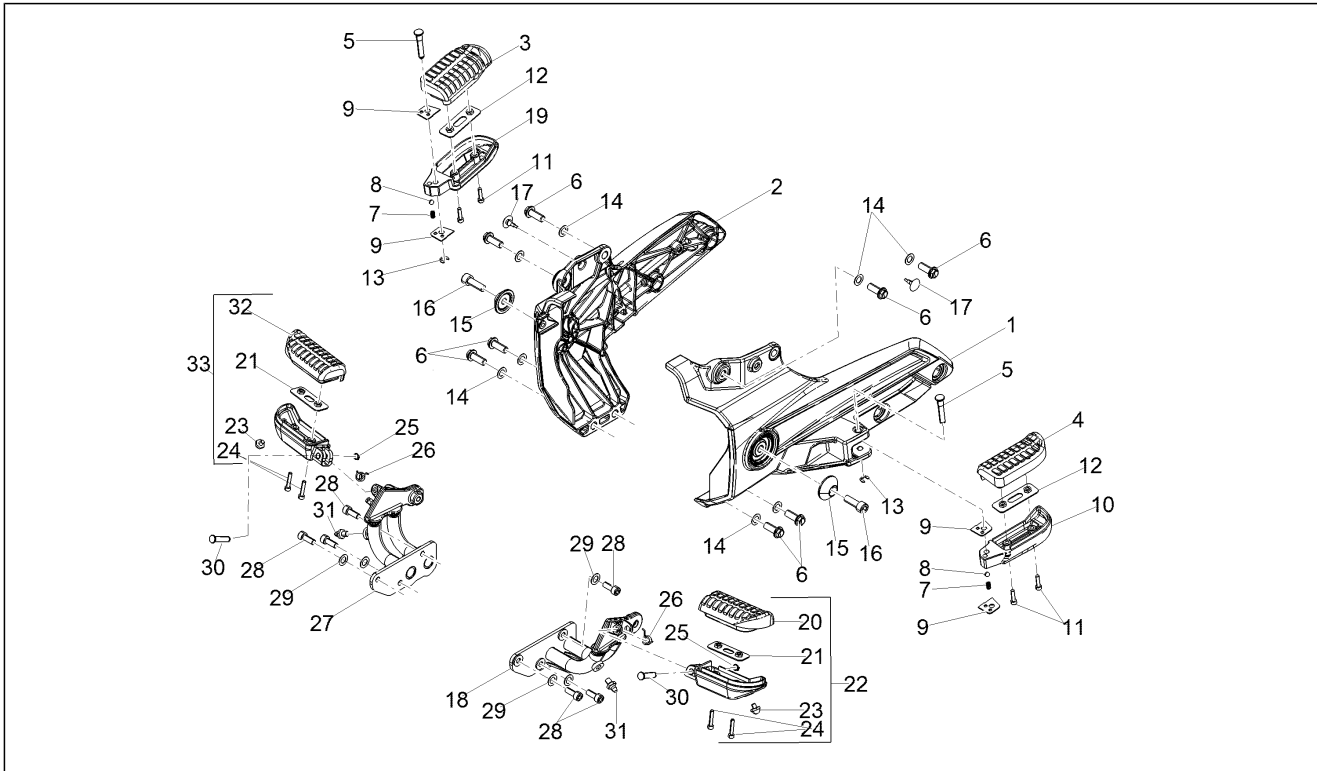
Pos.	Code	Description	Qty	Variants
1	2B002816	Frame	1	
2	AP8201755	Threaded rivet	10	
3	AP8102902	Hex threaded insert	6	
4	2B000506	Lower frame with IP	1	
5	GU98683530	screw M10x30	8	
6	2B001709	Seat support	1	
7	887013	Engine support connecting rod	1	
8	887086	Engine support connecting rod	1	
9	887014	Engine support connecting rod	1	
10	AP8110094	Bearing 25x47x12	2	
11	273774	Oil seal	8	
12	887261	Silent block pin	1	
13	2B000480	Hex socket screw M12x80	1	
14	AP8152299	Self-locking nut M6	1	
15	GU98680360	Hex socket screw M6x60	1	
16	GU95008306	Washer 6,4x12x1,2	1	
17	887728	Disc	1	
18	AP8150192	Hex socket screw M10x80	1	
19	B063307	Threaded pin	4	
20	B063139	Engine support silent-block	2	
21	AP8150329	Hex socket screw	3	
22	AP8150287	Hex socket screw M10x90	1	
23	AP8150040	Hex socket screw M10x110*	2	
24	887491	Silent block support bracket	1	
25	887248	Engine lower bracket with i.p.	1	
26	2B002297	Engine front bracket with i.p.	1	
27	887260	Engine rear bracket with i.p.	1	
28	GU95008313	Washer 13x24x2,5	8	

Group	Frame
Code	01.010
Description	Frame
Service	1



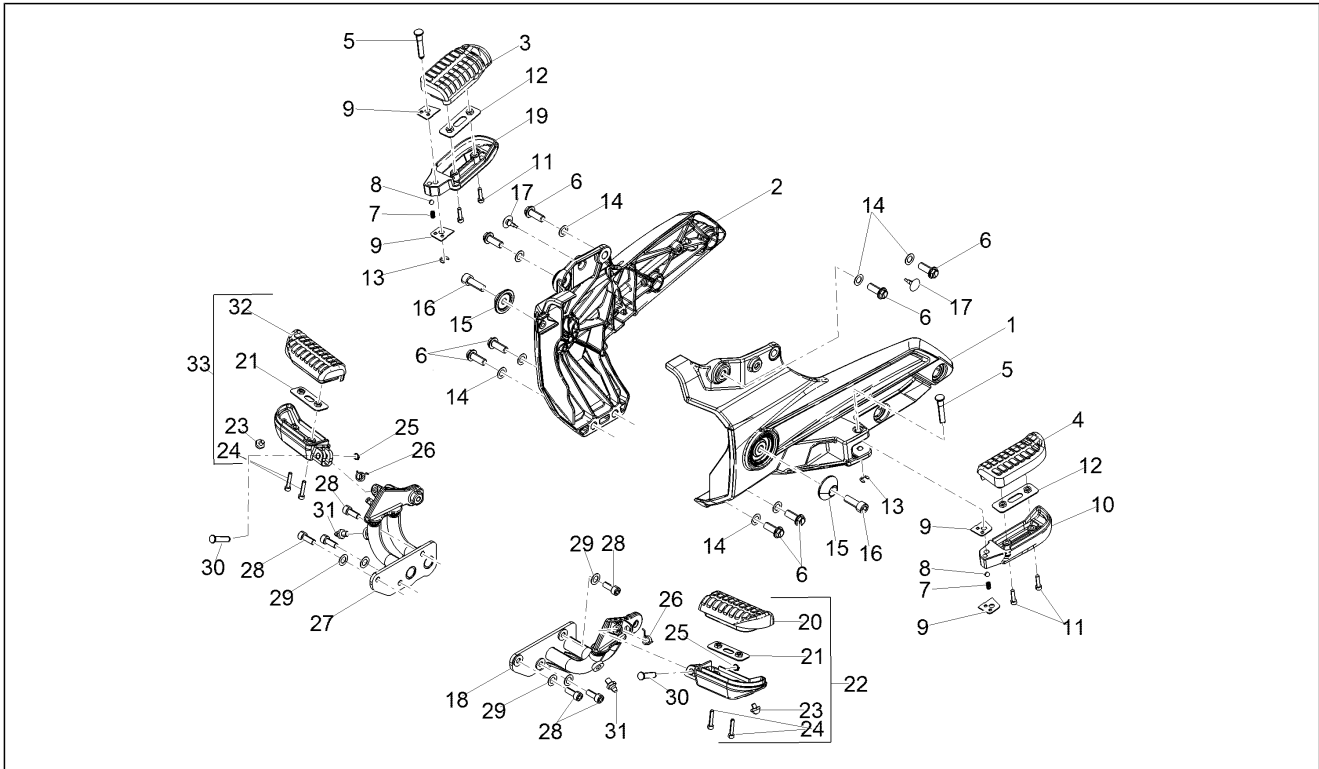
Pos.	Code	Description	Qty	Variants
29	AP8150432	Low self-locking nut M12*	2	
30	B064268	Hex socket screw M12x45	4	
31	B063088	Engine pin	2	
32	GU95008210	Washer 10,2X18X2	11	
33	AP8152301	Self-locking nut	3	
34	B063938	Hex socket screw M10x20	5	
35	AP8152278	Screw w/ flange M6x16	2	
36	GU95008310	Washer 10,5x22x2,5	2	
37	887264	Bush	2	
38	978301	Cover	2	
39	AP8221218	Mudguard bush	2	
40	2B002417	Screw w/ flange M8x18	2	
41	AP8152526	Pre-coated hex head flange screw M6x16 8.8	2	
42	2B003859	Balancer weight	1	
43	2B003876	U-bolt	1	

Group	Frame
Code	01.020
Description	Foot rests
Service	1



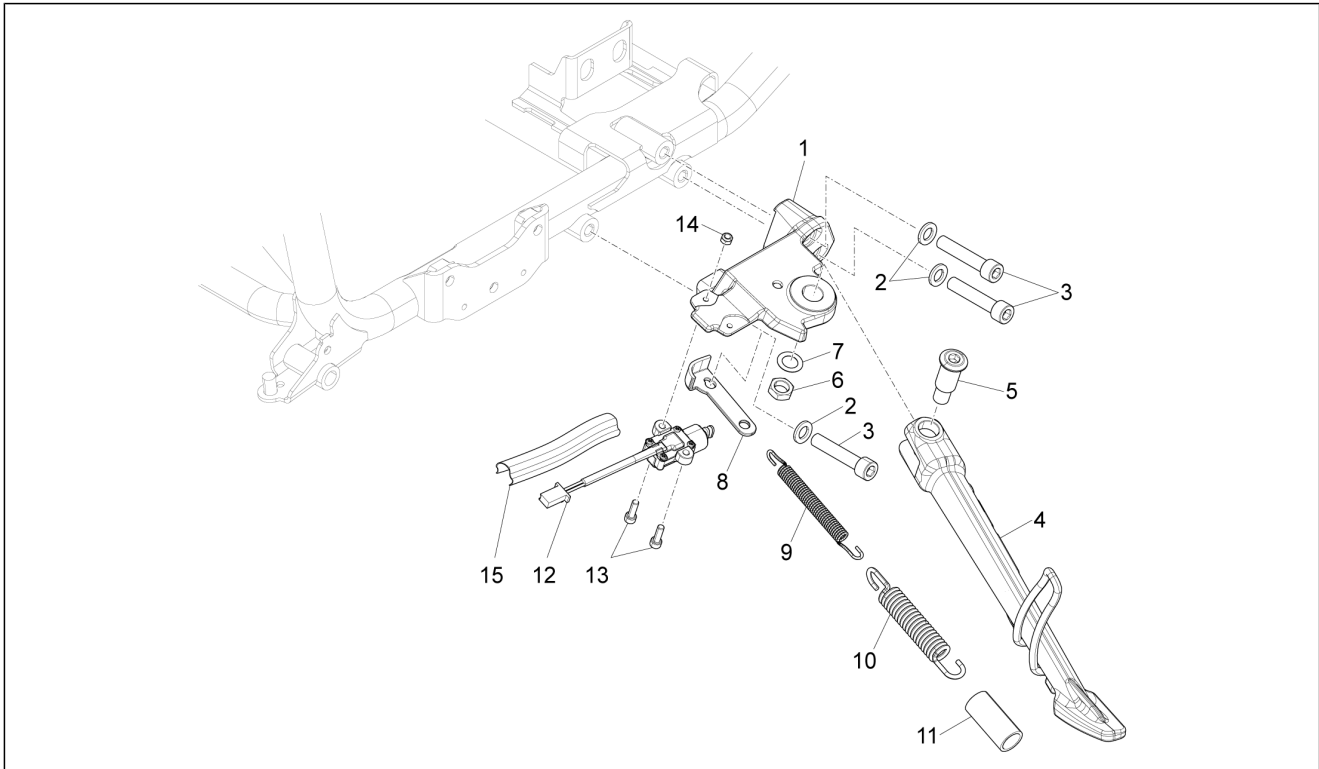
Pos.	Code	Description	Qty	Variants
1	88733100XNB	LH rear footrest supp., black	1	
2	88733000XNB	RH footrest support al fin,blk	1	
3	B063134	RH rear footrests rubber	1	
4	B063133	LH rear footrests rubber	1	
5	B064101	Footrest pin	2	
6	AP8152385	Hex socket screw M10x1,25	8	
7	AP8121133	Coil compress. spring	2	
8	AP8110110	Ball d.7	2	
9	B063309	Plate	4	
10	B06382100YE4	LH rear footrest, grey	1	
11	AP8150252	Hex socket screw M5x20	4	
12	AP8134857	Plate	2	
13	AP8120573	Stop ring	2	
14	AP8150292	Curved spring washer *	8	
15	851821	Ring nut	2	
16	GU98682530	Hex socket screw M10x30	2	
17	AP8120001	Rubber spacer	2	
18	2B003172	LH front footrest bracket	1	
19	B06382000YE4	RH rear footrest, grey	1	
20	2B001588	LH rear footrests rubber	1	
21	2B001733	Plate	2	
22	2B001738	LH Foot rests	1	
23	GU30441005	Pin	2	
24	GU98612225	screw	4	
25	AP8120573	Stop ring	2	
26	2B002347	Ribbon spring	2	
27	2B003173	RH front footrest bracket	2	
28	GU98682420	Hex socket screw M8x20	6	

Group	Frame
Code	01.020
Description	Foot rests
Service	1



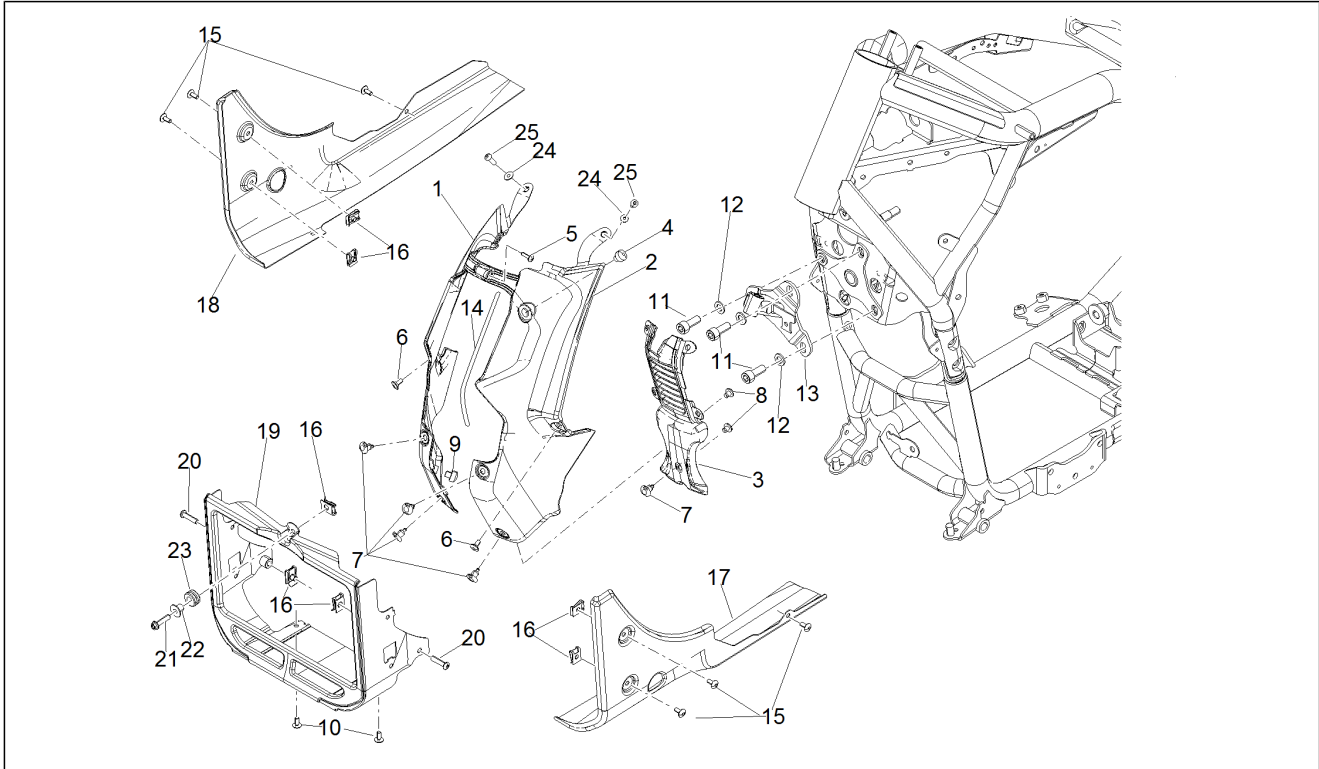
Pos.	Code	Description	Qty	Variants
29	GU95008308	Washer	6	
30	CM228401	Footrest pin	2	
31	B063907	Footrest pin	2	
32	2B001587	RH rear footrests rubber	1	
33	2B001739	RH Foot rests	1	

Group	Frame
Code	01.030
Description	Central stand
Service	1



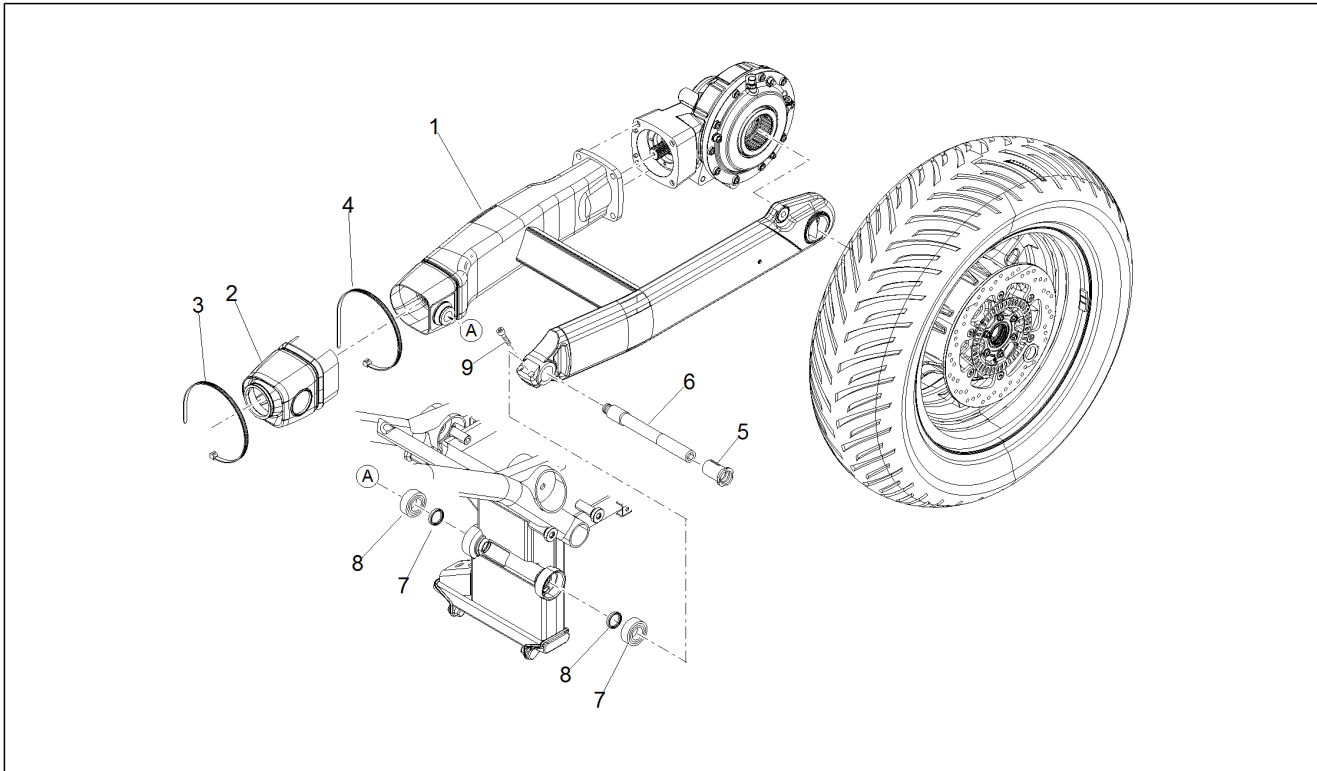
Pos.	Code	Description	Qty	Variants
1	2B000460	Stand plate	1	
2	AP8152220	Washer	3	
3	GU98880540	screw M10x40	3	
4	2B002827	Lateral stand	1	
5	B063444	Stand rotation pin	1	
6	AP8152135	Nut M12x1,25	1	
7	GU95129240	Washer	1	
8	851550	Lateral stand plate	1	
9	AP8121014	Coil pull spring	1	
10	AP8121015	Lateral stand external spring	1	
11	AP8102524	Stand spring protection	1	
12	639542	Button for side stand	1	
13	GU98612216	Hex socket screw	2	
14	AP8150311	Low self-locking nut	2	
15	GU00823923140	Thermal sheath	1	

Group	Frame
Code	01.040
Description	Protection
Service	1



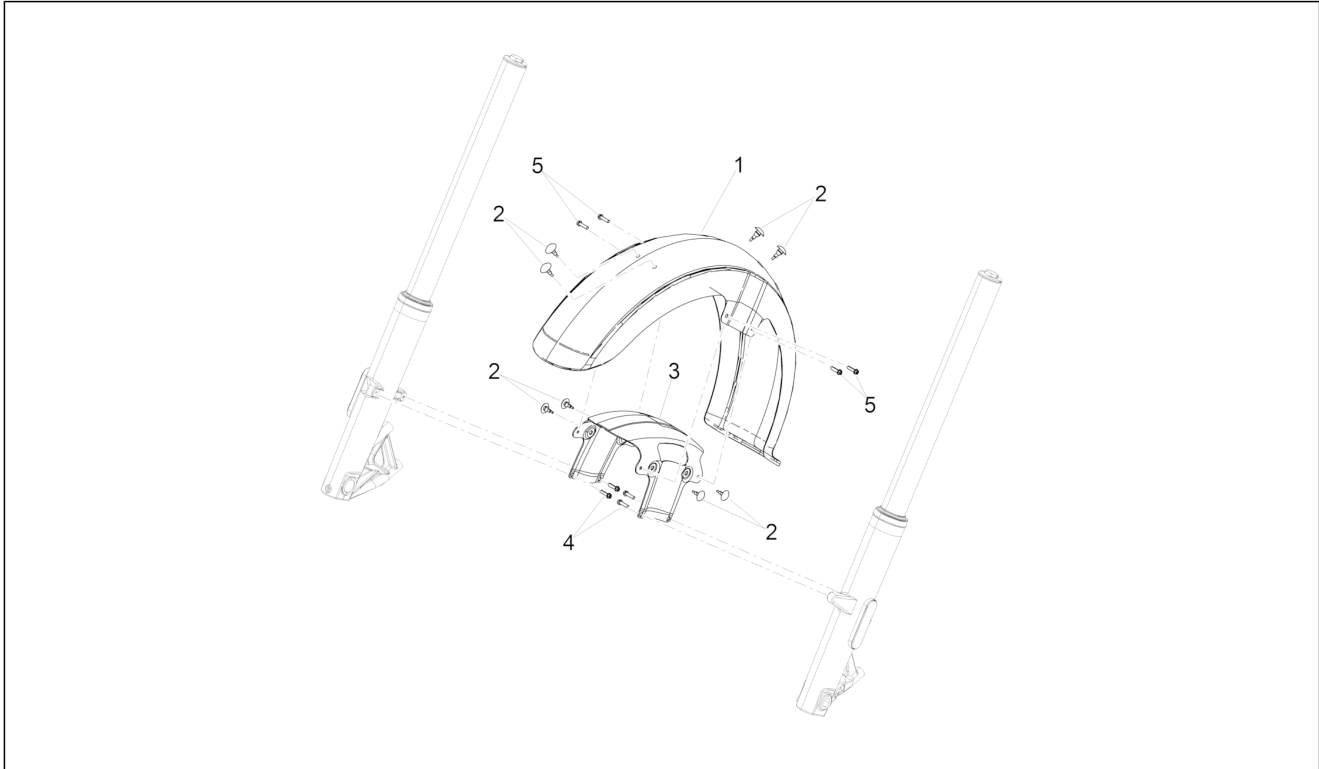
Pos.	Code	Description	Qty	Variants
1	B06371600XN6	RH cover	1	
2	B06371700XN6	LH cover	1	
3	2B002864	Front grille	1	
4	2B000217	Cover	1	
5	AP8152329	Phillips screw, SWP M5x20	1	
6	AP8150500	Hex socket screw M5x9	3	
7	AP8144563	Rivet, male	4	
8	AP8144616	Rivet, female	4	
9	AP8144081	Rubber spacer	2	
10	AP8144563	Rivet, male	2	
11	GU98682525	screw	3	
12	GU95008210	Washer 10,2X18X2	3	
13	2B002745	Fixing bracket	1	
14	GU00823931080	Gasket PVC	1	
15	2B002187	Hex socket screw M6x10	6	
16	254485	Spring plate M6	8	
17	2B002710	LH side panel, lower	1	
18	2B002711	LH side panel, lower	1	
19	2B003159	Water cooler grille	1	
20	AP8152117	TBEI M6x25 screw	2	
21	AP8152280	Screw w/ flange M6x25	1	
22	AP8221023	T bush	1	
23	AP8120030	Rubber spacer	1	
24	843213	T bush	2	
25	GU98370516	Hex socket screw	2	

Group	Frame
Code	01.050
Description	Swing arm
Service	1



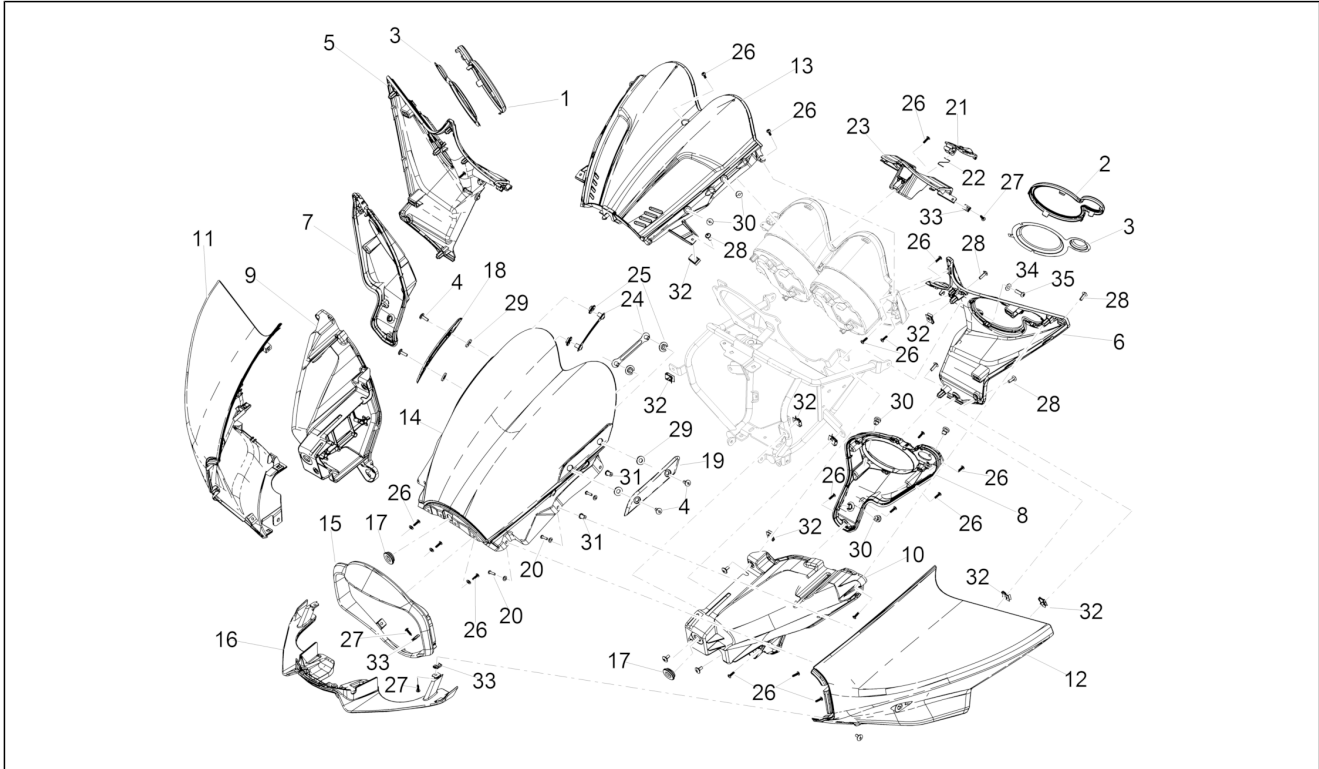
Pos.	Code	Description	Qty	Variants
1	8869594	Swing arm	1	
2	887519	Rubber bellows	1	
3	GU93304390	Hose clamp 3,6x375	1	
4	B063759	Hose clamp 4.5x430	1	
5	GU05547130	Bush	1	
6	GU05547030	Pin	1	
7	GU92249224	Roller bearing 25x47x17	2	
8	GU05547930	Gasket ring	2	
9	GU98682325	Hex socket screw M6x25	2	

Group	Body
Code	02.030
Description	Front mudguard-Pillar
Service	1



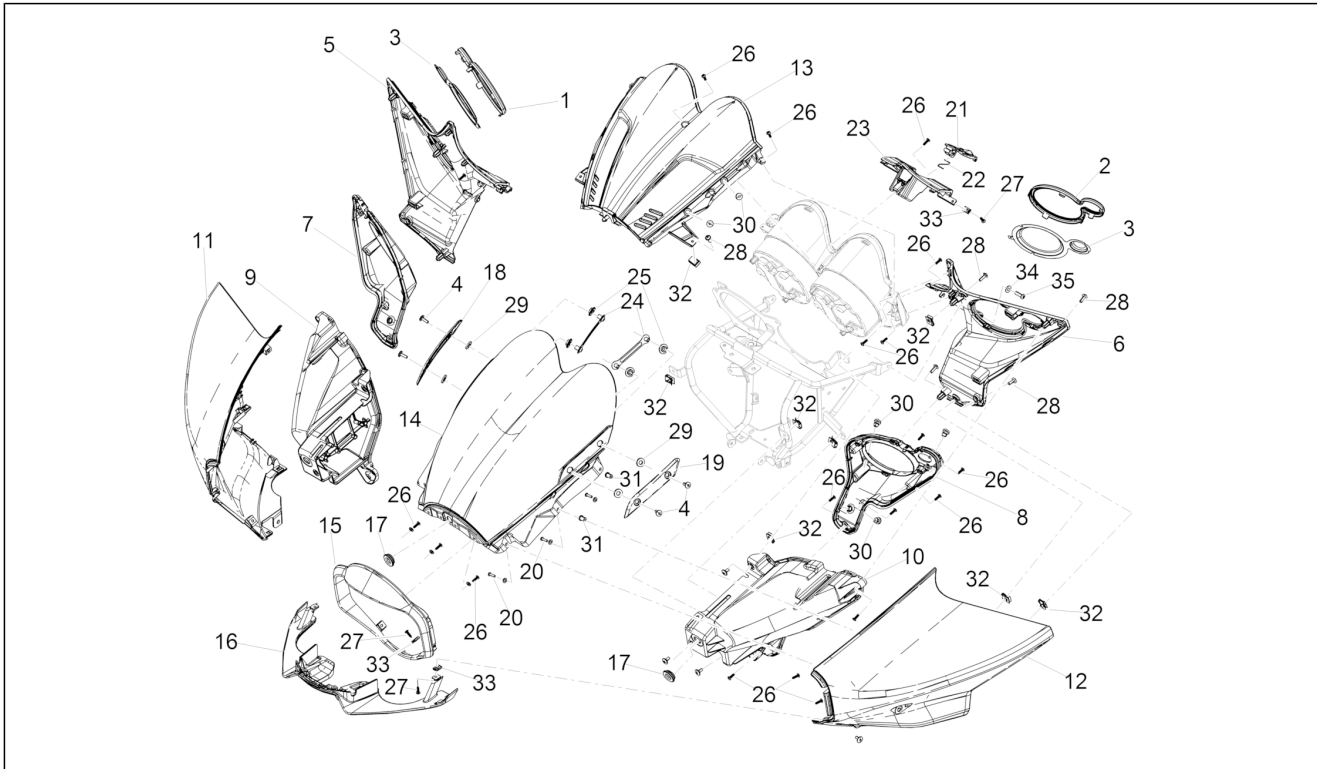
Pos.	Code	Description	Qty	Variants
1	2B002642	Front mudguard	1	
2	AP8120001	Rubber spacer	8	
3	2B002861	Mudguard reinforcement	1	
4	AP8152274	Screw w/ flange M5x20	4	
5	842420	screw	4	

Group	Body
Code	02.040
Description	Front fairing
Service	1



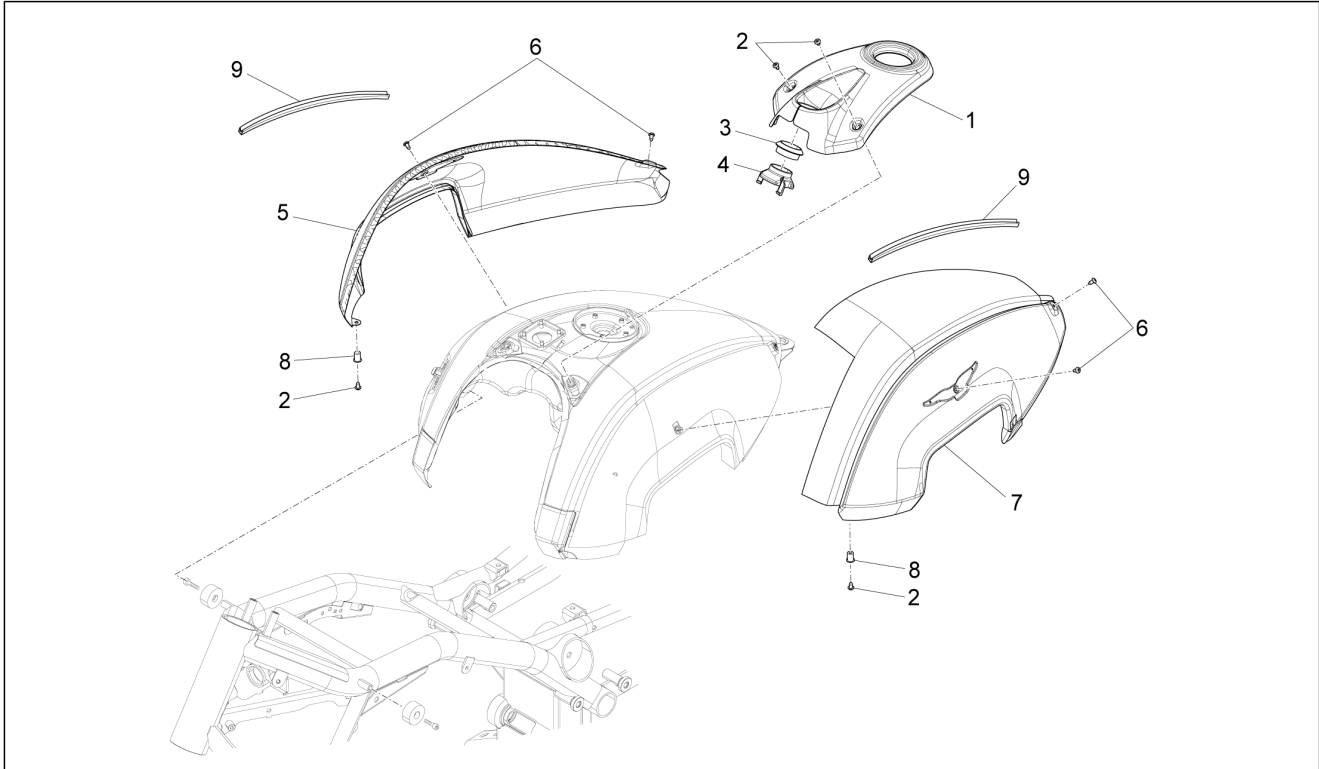
Pos.	Code	Description	Qty	Variants
1	2B002658	RH speaker surround	1	
2	2B002657	LH speaker surround	1	
3	2B002659	Speaker grille	2	
4	976614	Hex socket screw M5x15	4	
5	2B002652000YN5	RH Dashboard	1	
6	2B002651000YN5	LH Dashboard	1	
7	2B002653	***Rh Speakers box	1	
8	2B002654	***Lh Speaker box	1	
9	2B002655	***	1	
10	2B002656	***	1	
11	2B002643000YN4	***HANDLEBARS COVER	1	
12	2B002644000YN4	***HANDLEBARS COVER	1	
13	2B002649000YN5	Top fairing fastener	1	
14	2B002645	Windshield	1	
15	2B002647000YN4	Light frame	1	
16	2B002648000YN4	Spoiler	1	
17	1B000888	Pad	3	
18	2B003356	RH spoiler	1	Colour:Blank[Gr]
18	2B003356000YN4	Right spoiler	1	
19	2B003355	LH spoiler	1	Colour:Blank[Gr]
19	2B003355000YN4	Left spoiler	1	
20	AP8150493	Hex socket screw M4x16	6	
21	2B002661000YN5	***USB COVER	1	
22	2B002733	Spring	1	
23	2B002650000YN5	Central dashboard	1	
24	2B003352	Fixing plate	2	
25	2B003353	Rubber spacer	4	
26	AP8150413	Self-tap screw 3,9x14	20	

Group	Body
Code	02.040
Description	Front fairing
Service	1



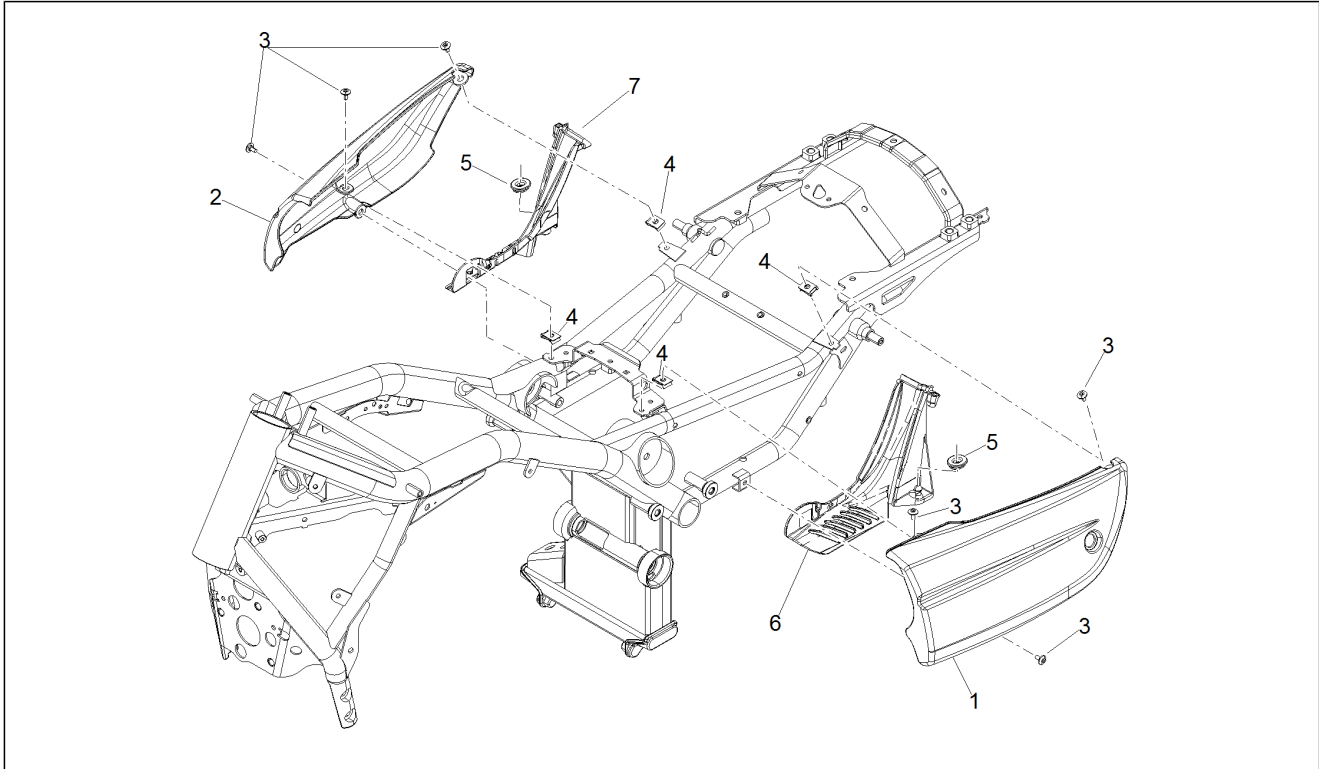
Pos.	Code	Description	Qty	Variants
27	AP8150362	Self-tapping screw *	5	
28	AP8152298	Screw w/ flange M5x16	0	
29	2B003354	Rubber washer	4	
30	AP8144087	Rubber spacer	6	
31	AP8144564	Rubber w/ insert M4	4	
32	248419	Spring plate M5	20	
33	AP8202449	Clip	2	
34	AP8121032	Bush	2	
35	GU98370621	Hex socket screw M6x20	2	

Group	Body
Code	02.090
Description	Tank cover
Service	1



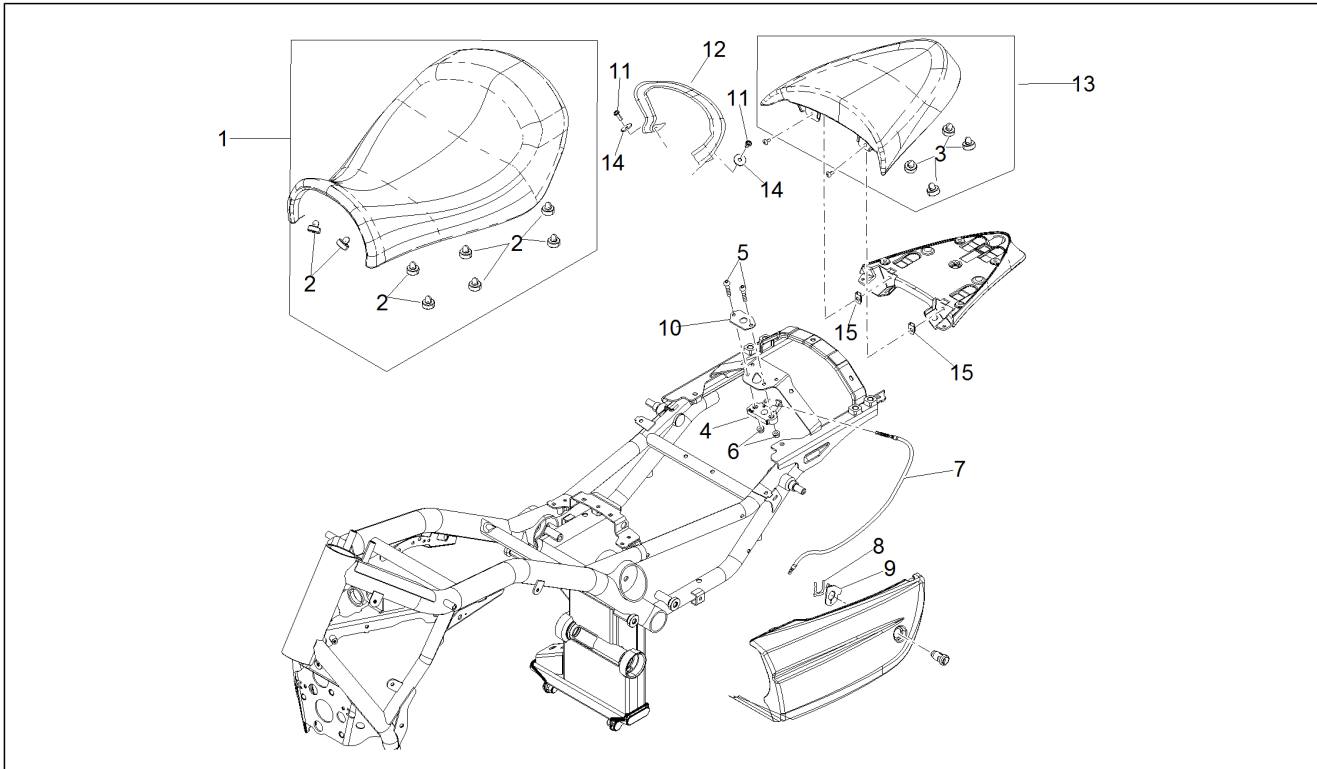
Pos.	Code	Description	Qty	Variants
1	2B002863	Key dashboard	1	
2	GU98370516	Hex socket screw	4	
3	AP8127461	Main switch seal	1	
4	898136	Immobilizer aerial protection	1	
5	2B002894	Right tank support	1	Colour:Blank[Gr]
5	2B003024	Right tank support	1	
6	GU98350210	Hex socket screw	4	
7	2B003025	Left tank support	1	
7	2B002895	Left tank support	1	Colour:Blank[Gr]
8	AP8120531	Rubber w/ insert	2	
9	GU00823931055	Gasket	2	

Group	Body
Code	02.100
Description	Central body
Service	1



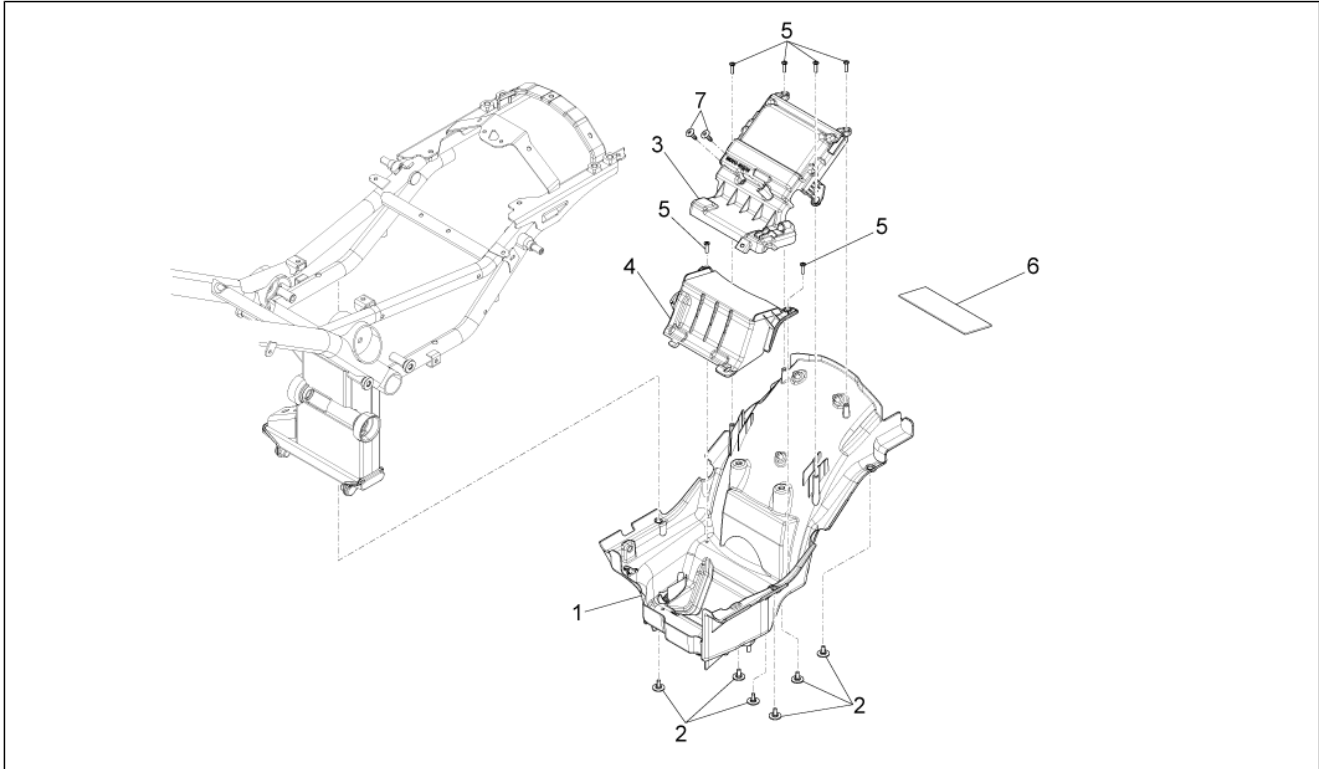
Pos.	Code	Description	Qty	Variants
1	2H001432000YN4	LH side panel, black	1	Technical Specification: Decal[CD]
1	2B001787	LH side panel, blank	1	Colour: Blank[Gr]
2	2B001786	RH side panel, blank	1	Colour: Blank[Gr]
2	2H001431000YN4	RH side panel, black	1	Technical Specification: Decal[CD]
3	AP8152339	Screw w/ flange M5x9	6	
4	248419	Spring plate M5	6	
5	1B000888	Pad	1	
6	2B002671	Left lateral protection	1	
7	2B002672	Right lateral protection	1	

Group	Body
Code	02.120
Description	Saddle
Service	1



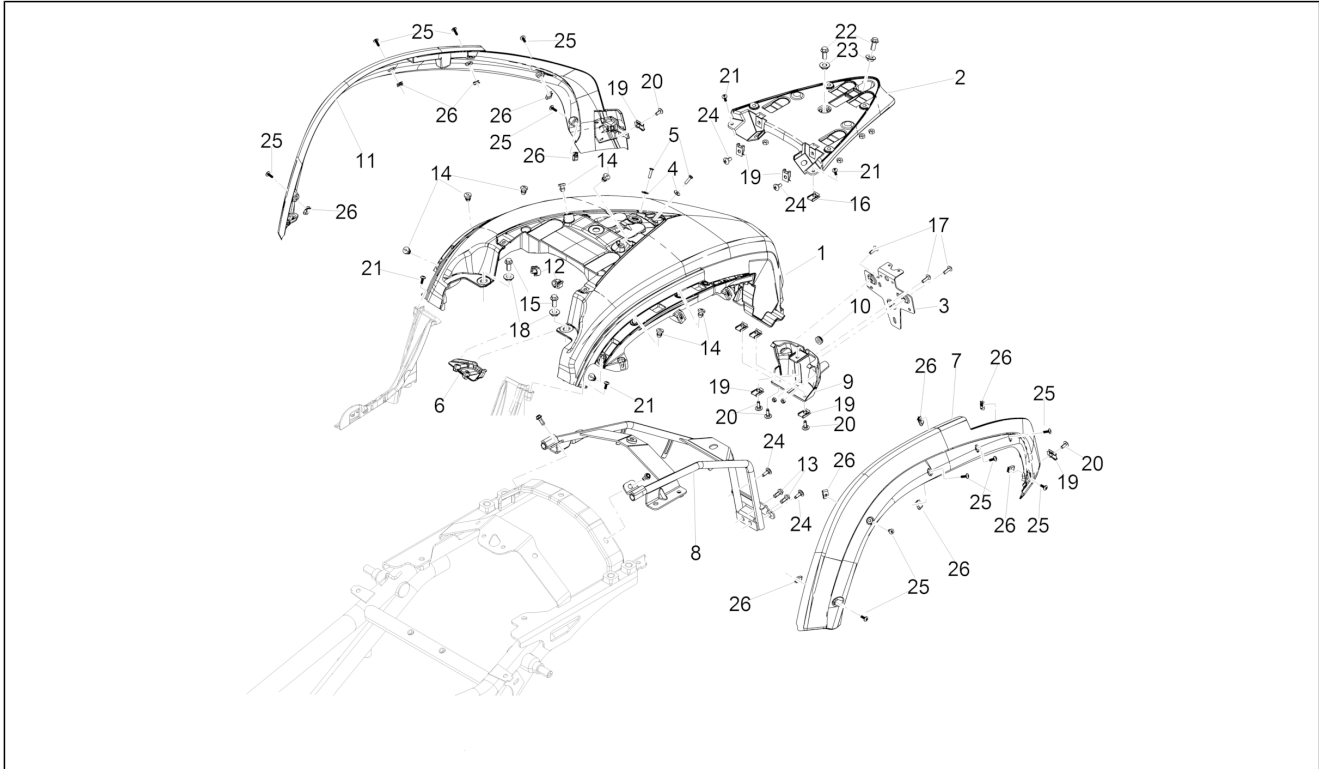
Pos.	Code	Description	Qty	Variants
1	2B002675000C1	Driver saddle	1	
2	B064023	Saddle rubber	8	
3	2B002692	Saddle rubber	4	
4	AP8102913	Pass.saddle connecting plate	1	
5	AP8152117	TBEI M6x25 screw	2	
6	AP8152299	Self-locking nut M6	2	
7	B063439	Saddle release cable	1	
8	978415	Cable fixing plate	1	
9	AP8121420	Fork spring	1	
10	886820	Saddle lock fix.plate	1	
11	AP8152274	Screw w/ flange M5x20	2	
12	2B002696000C1	Pillion seat strap	1	
13	2B002677000C1	Rear saddle	1	
14	AP8150016	Washer 6,6x18x1,6	2	
15	248419	Spring plate M5	2	

Group	Body
Code	02.130
Description	Saddle compartment
Service	1



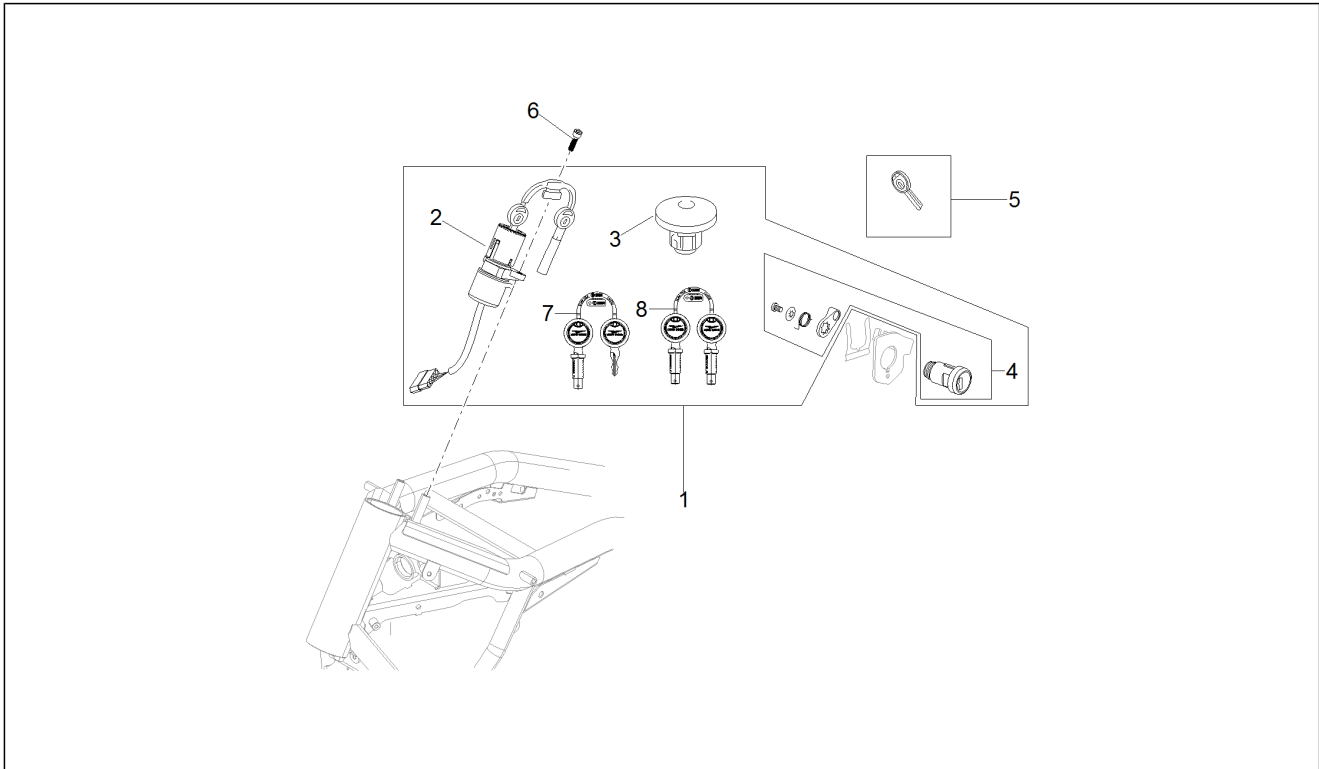
Pos.	Code	Description	Qty	Variants
1	887488	Seat housing lower closing	1	
2	976591	Special screw	8	
3	887802	Battery cover	1	
4	887547	Battery holder	1	
5	AP8152329	Phillips screw, SWP M5x20	6	
6	AP8144552	Lat. battery support rubber	3	
7	AP8152302	Screw w/ flange M5x12	2	

Group	Body
Code	02.150
Description	Rear mudguard
Service	1



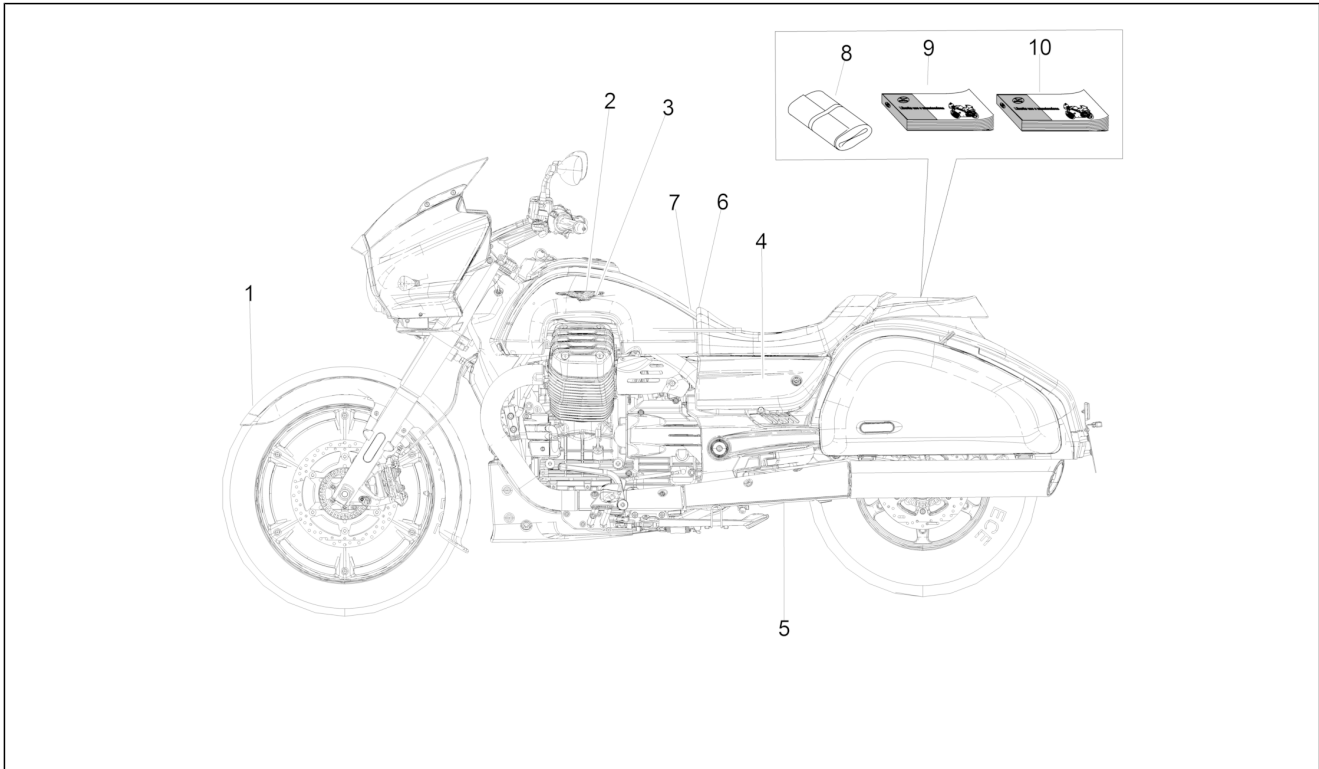
Pos.	Code	Description	Qty	Variants
1	2B002662000YN4	Rear mudguard	1	
2	2B002679000YN4	Rear seat support	1	
3	2B002669	License plate	1	
4	AP8150382	Washer 15x5,5X1,2	1	
5	AP8152329	Phillips screw, SWP M5x20	2	
6	2B003520	Mudguard protection	1	
7	2B002664	LH side panel, carb.	1	
8	2B002865	Mudguard sub-frame with I.P.	1	
9	2B002668000YN4	Number plate support	1	
10	AP8120405	Rubber spacer	1	
11	2B002665	RH side panel, carb.	1	
12	AP8201727	Black cable guide	2	
13	2B002418	Screw w/ flange M6x16	2	
14	AP8150204	Nut M4	2	
14	AP8144087	Rubber spacer	12	
15	AP8152286	Screw w/ flange M8x20	2	
16	184142	Spring plate	2	
17	AP8152298	Screw w/ flange M5x16	3	
18	AP8121114	T bush *	2	
19	248419	Spring plate M5	4	
20	AP8152302	Screw w/ flange M5x12	5	
21	259349	Screw M4,2x13	4	
22	2B002417	Screw w/ flange M8x18	2	
23	2B002962	Bush	2	
24	896174	Hex socket screw Black M5x12	4	
25	AP8150362	Self-tapping screw *	12	
26	AP8202449	Clip	12	

Group	Body
Code	02.170
Description	Locks
Service	1



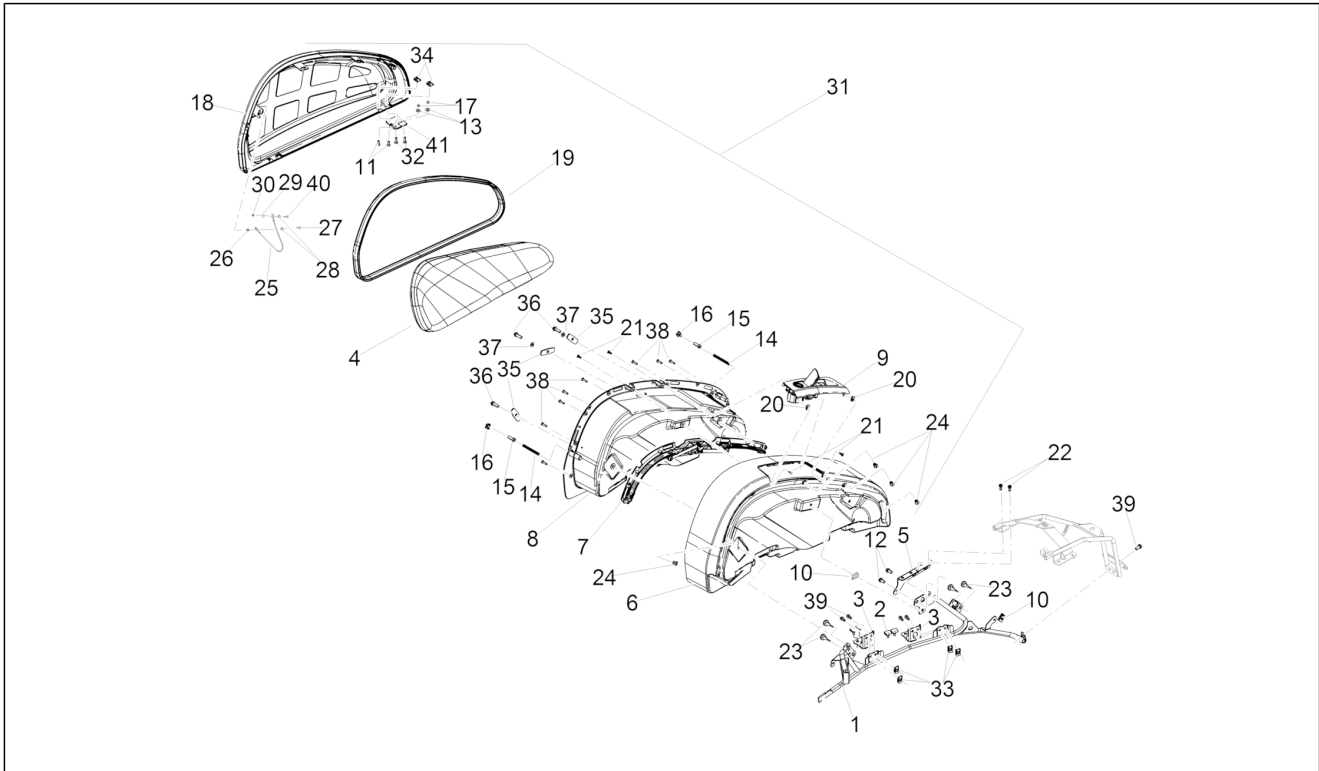
Pos.	Code	Description	Qty	Variants
1	2B002966	Lock kit	1	
2	2D000003	Key switch	1	
3	2B001567	Tank plug without key	1	
4	977527	Locking complete with keys	1	
5	2D000004	Key with simple transponder	1	
6	GU98682414	Hex socket screw	2	
7	2D000006	Locking cylinder with key for fuel cap	1	
8	2B003168	Saddlebags lock hardw.kit	1	

Group	Body
Code	02.190
Description	Decal
Service	1



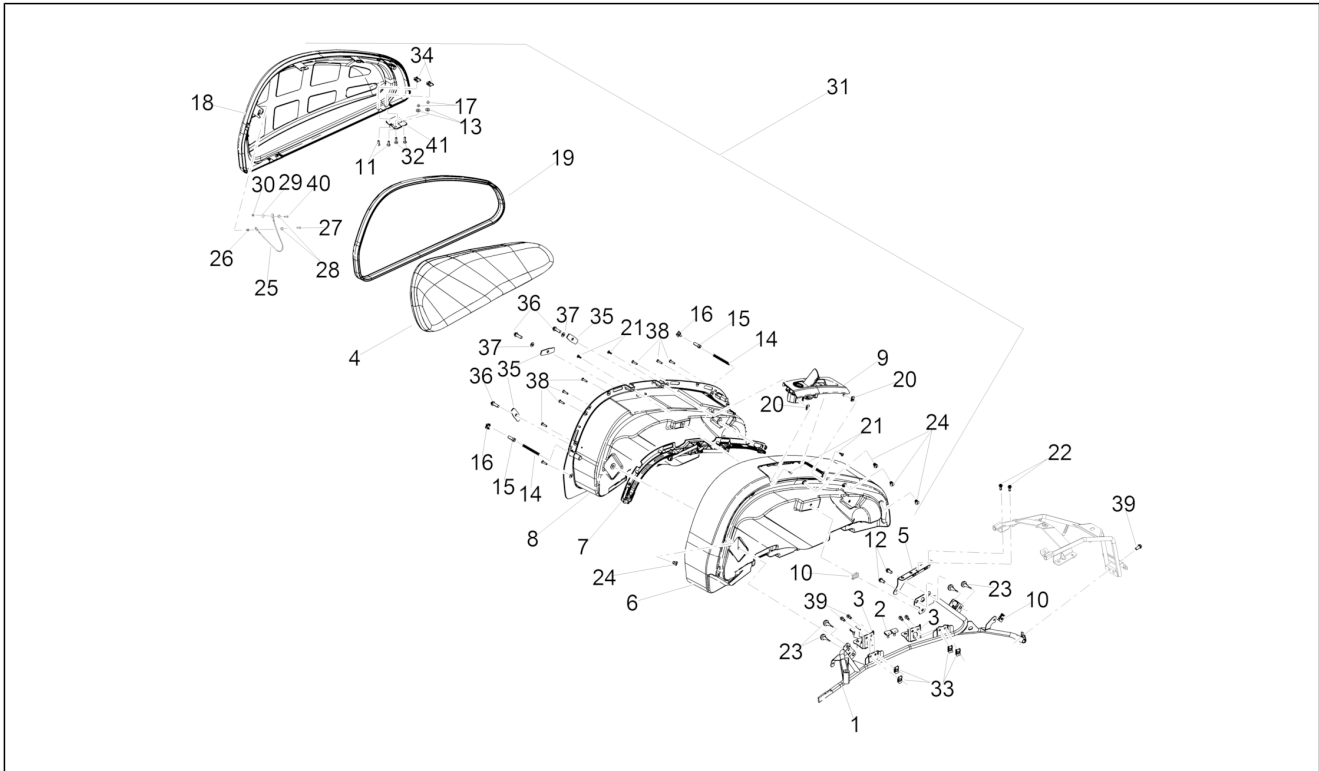
Pos.	Code	Description	Qty	Variants
1	886141	Decal "Aquila"	1	
2	2H000691	Sticker LH "Aquila"	1	
3	2H000690	RH decal "Aquila"	1	
4	2H001462	Decal "MGX 21"	2	
5	895839	""Eni"" label"	1	
6	2B000032	LH Guard decal	1	
7	2B000031	RH Guard decal	1	
8	2B000237	Toolkit	1	
9	2Q000205	***OWNER'S BOOKLET MGX-21 IT-FR-DE-NL-ES-EN	1	
10	2Q000208	Op's handbook Infotainment	1	
11	2G000203	R41-04 EEC noise compliance decal	1	

Group	Body
Code	02.210
Description	Valigia DX
Service	1



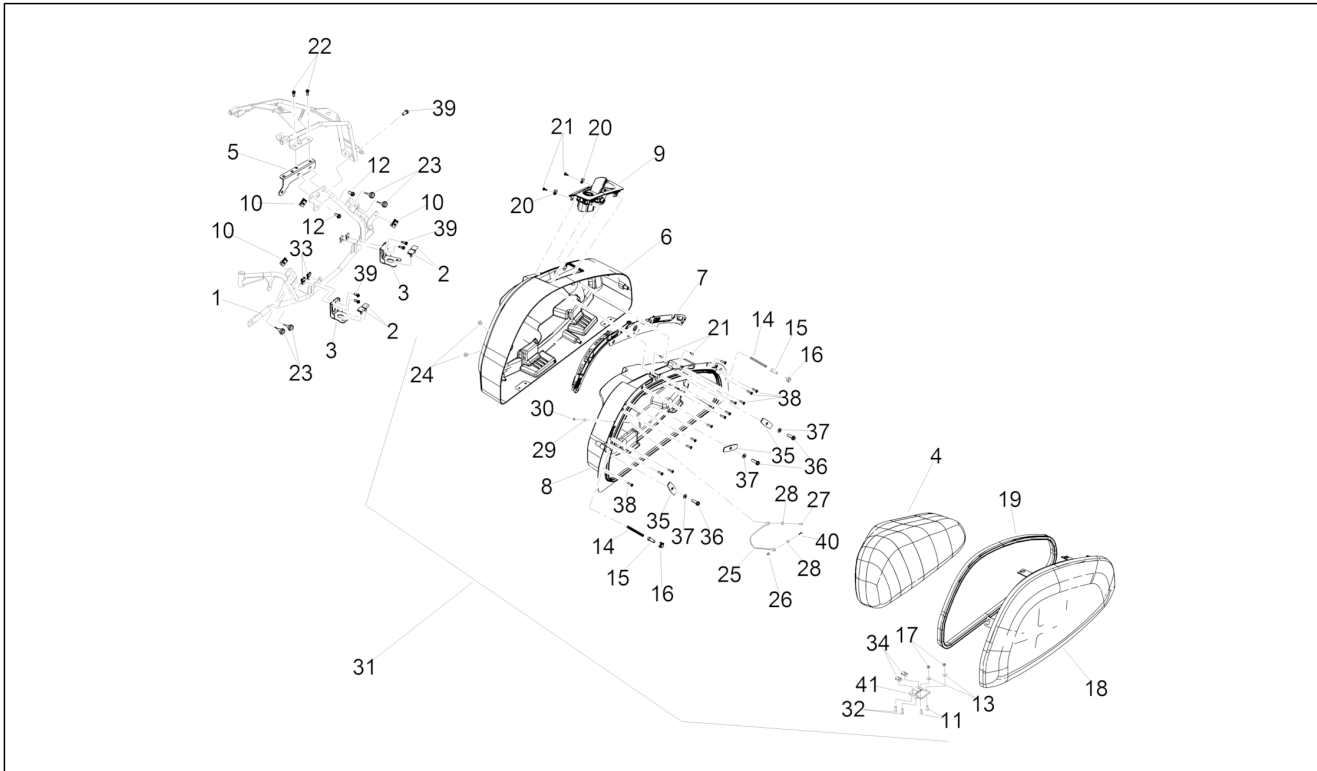
Pos.	Code	Description	Qty	Variants
1	2B002841	RH support	1	
2	AP8120455	Rubber spacer	8	
3	2B003069	Support bracket	4	
4	2B003646	RH pannier internal bag	1	
5	2B002888	RH reinforcement bracket with i.p.	1	
6	2B003146000YN4	RH internal pannier base	1	
7	2B003232	RH pannier support assembly	1	
8	2B003184	RH pannier internal cover	1	
9	2B003209100YN4	Rh latch	1	
10	575268	Spring plate M8	2	
11	AP8152298	Screw w/ flange M5x16	8	
12	AP8152285	Screw w/ flange	4	
13	843213	T bush	8	
14	621099	Spring	4	
15	621097	Button	4	
16	621098	Maintenance	4	
17	AP8152306	Self-locking nut M5	8	
18	2B0033046	***RIGHT BAG DOORS ASM	1	
19	2B003266	Suitcase gasket	2	
20	CM017410	Spring plate	4	
21	259349	Screw M4,2x13	8	
22	2B002418	Screw w/ flange M6x16	4	
23	AP8220238	Rubber spacer	8	
24	AP8144087	Rubber spacer	10	
25	AP8201855	Rear fairing cable	2	
26	AP8102671	Plastic rivet	2	
27	AP8150413	Self-tap screw 3,9x14	2	
28	AP8706322	Stand coupling bushing	2	

Group	Body
Code	02.210
Description	Valigia DX
Service	1



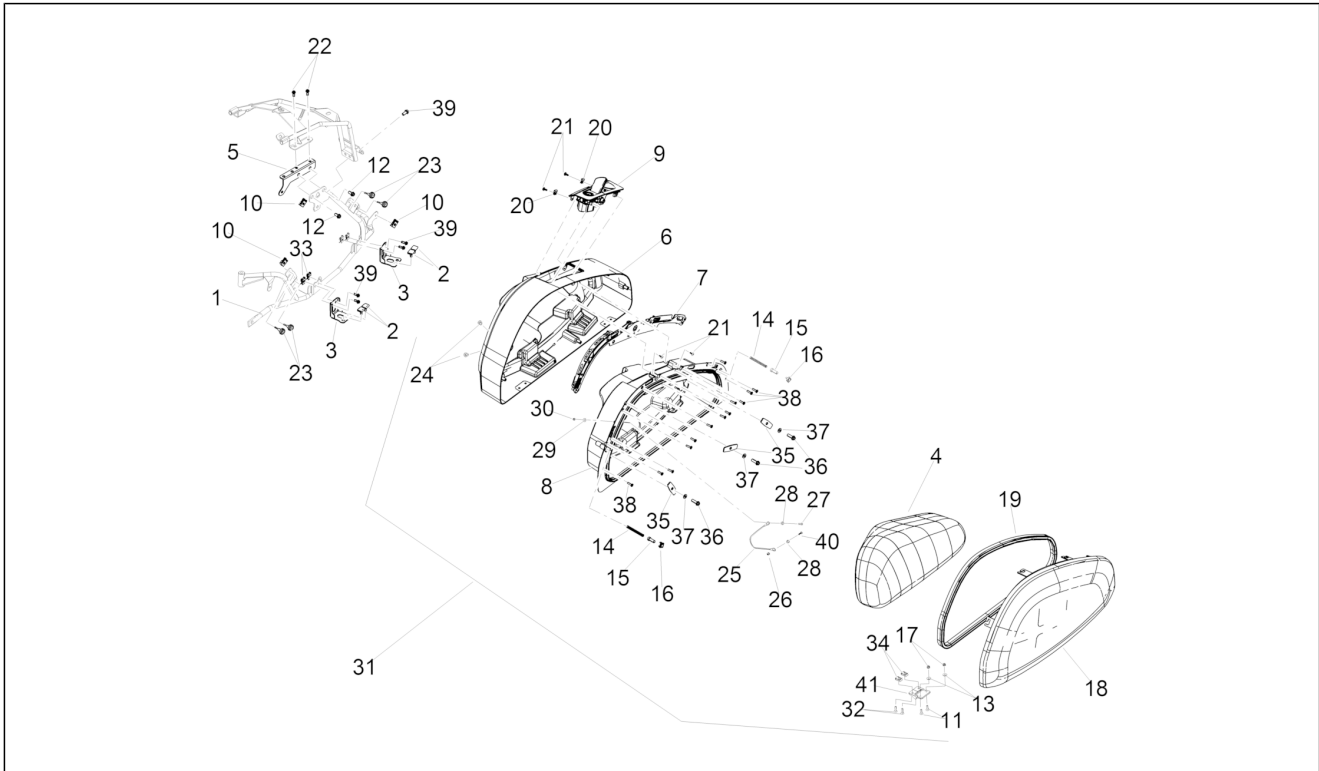
Pos.	Code	Description	Qty	Variants
29	AP8150011	Washer 4,3x12x1	4	
30	AP8150204	Nut M4	2	
31	2B002837500YN4	***BAGAGE COMPARTMENT	1	
32	AP8152338	Screw w/ flange	8	
33	254485	Spring plate M6	12	
34	248419	Spring plate M5	8	
35	B063932	Suitcase fixing plate	6	
36	AP8152287	Screw w/ flange M8x25	6	
37	AP8120592	Washer	6	
38	AP8152329	Phillips screw, SWP M5x20	32	
39	2B002418	Screw w/ flange M6x16	2	
40	AP8150493	Hex socket screw M4x16	2	
41	883118	pannier hinge	4	

Group	Body
Code	02.220
Description	Valigia SX
Service	1



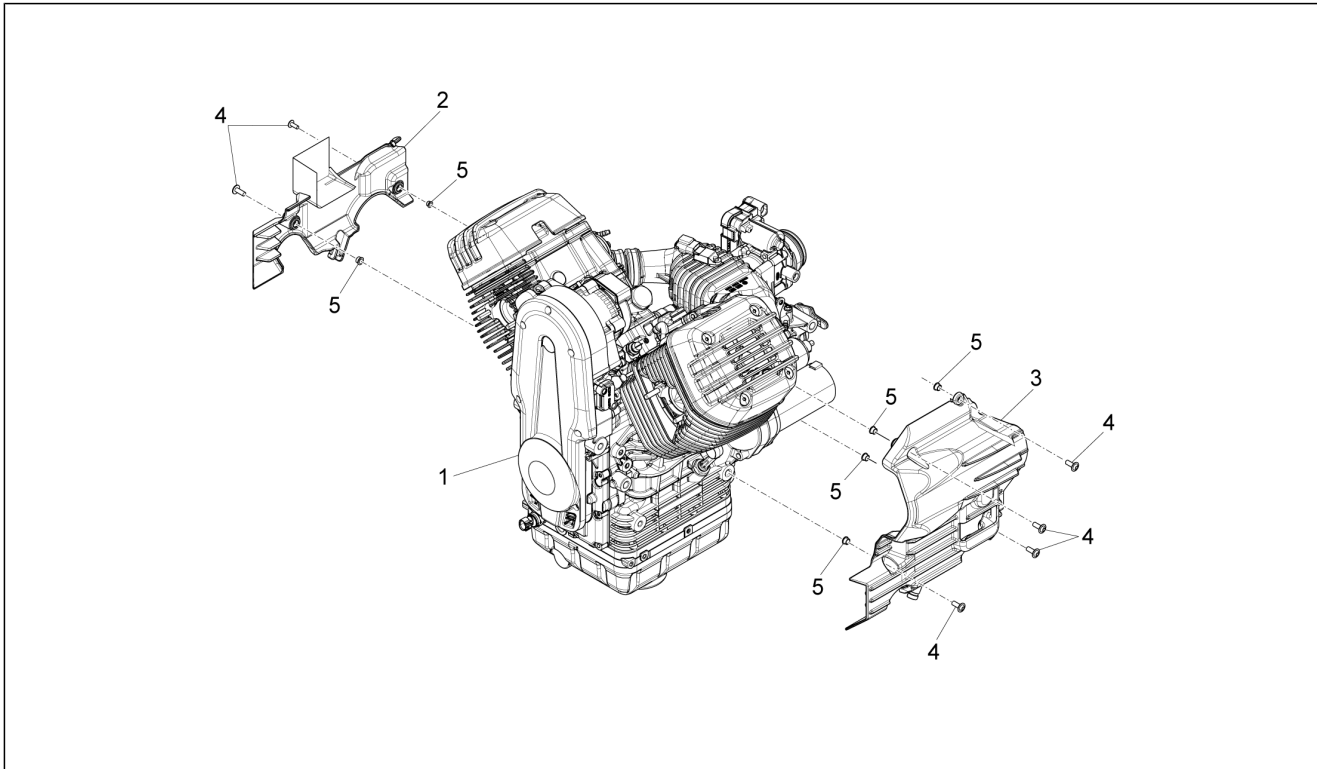
Pos.	Code	Description	Qty	Variants
1	2B002840	LH support	1	
2	AP8120455	Rubber spacer	8	
3	2B003069	Support bracket	4	
4	2B003645	LH pannier internal bag	1	
5	2B002886	LH reinforcement bracket with i.p.	1	
6	2B003145000YN4	LH internal pannier base	1	
7	2B003231	LH pannier support assembly	1	
8	2B003183	LH pannier internal cover	1	
9	2B003208100YN4	Lh latch	1	
10	575268	Spring plate M8	2	
11	AP8152298	Screw w/ flange M5x16	8	
12	AP8152285	Screw w/ flange	4	
13	843213	T bush	8	
14	621099	Spring	4	
15	621097	Button	4	
16	621098	Maintenance	4	
17	AP8152306	Self-locking nut M5	8	
18	2B0033036	***LEFT BAG DOOR ASM	1	
19	2B003266	Suitcase gasket	2	
20	CM017410	Spring plate	4	
21	259349	Screw M4,2x13	8	
22	2B002418	Screw w/ flange M6x16	4	
23	AP8220238	Rubber spacer	8	
24	AP8144087	Rubber spacer	10	
25	AP8201855	Rear fairing cable	2	
26	AP8102671	Plastic rivet	2	
27	AP8150413	Self-tap screw 3,9x14	2	
28	AP8706322	Stand coupling bushing	2	

Group	Body
Code	02.220
Description	Valigia SX
Service	1



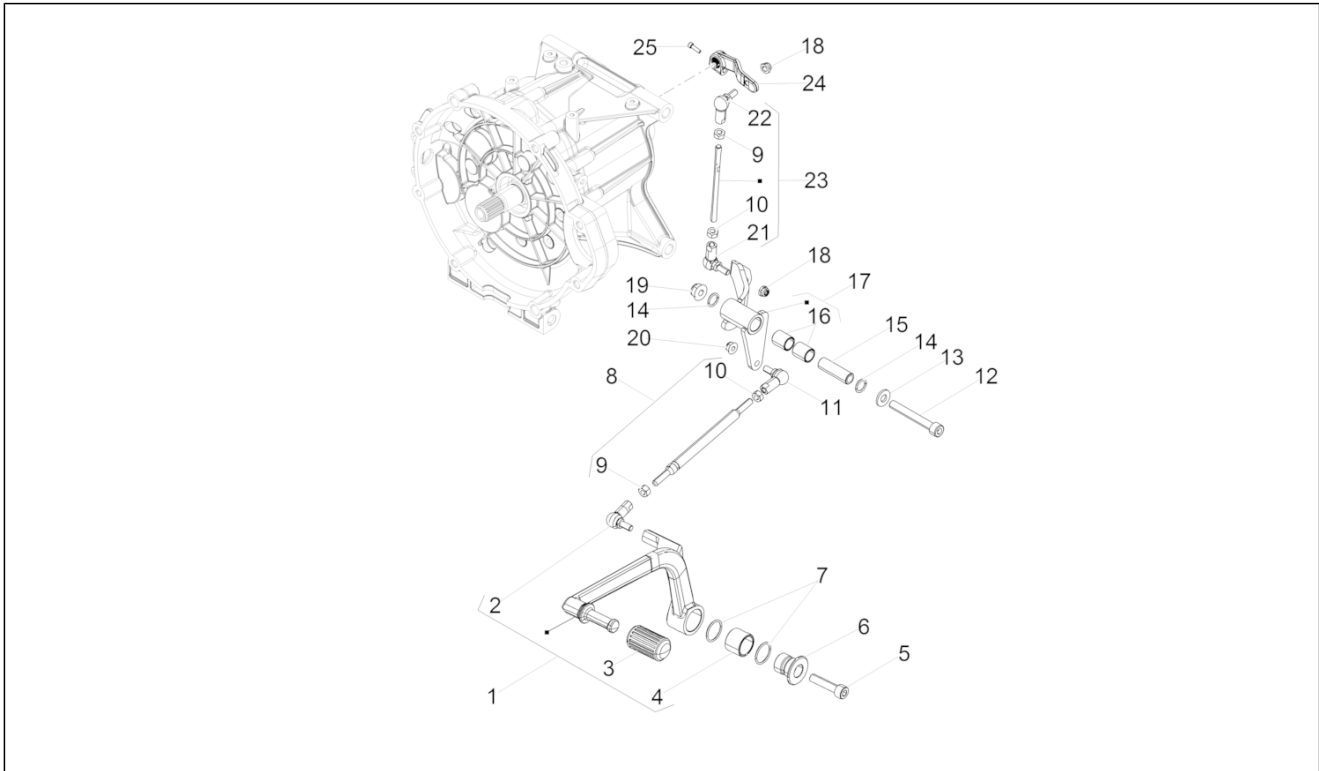
Pos.	Code	Description	Qty	Variants
29	AP8150011	Washer 4,3x12x1	4	
30	AP8150204	Nut M4	2	
31	2B002836500YN4	***BAGAGE COMPARTMENT (LEFT)	1	
32	AP8152338	Screw w/ flange	8	
33	254485	Spring plate M6	12	
34	248419	Spring plate M5	8	
35	B063932	Suitcase fixing plate	6	
36	AP8152287	Screw w/ flange M8x25	6	
37	AP8120592	Washer	6	
38	AP8152329	Phillips screw, SWP M5x20	32	
39	2B002418	Screw w/ flange M6x16	2	
40	AP8150493	Hex socket screw M4x16	2	
41	883118	pannier hinge	4	

Group	Engine
Code	03.010
Description	Engine-Completing part-Lever
Service	1



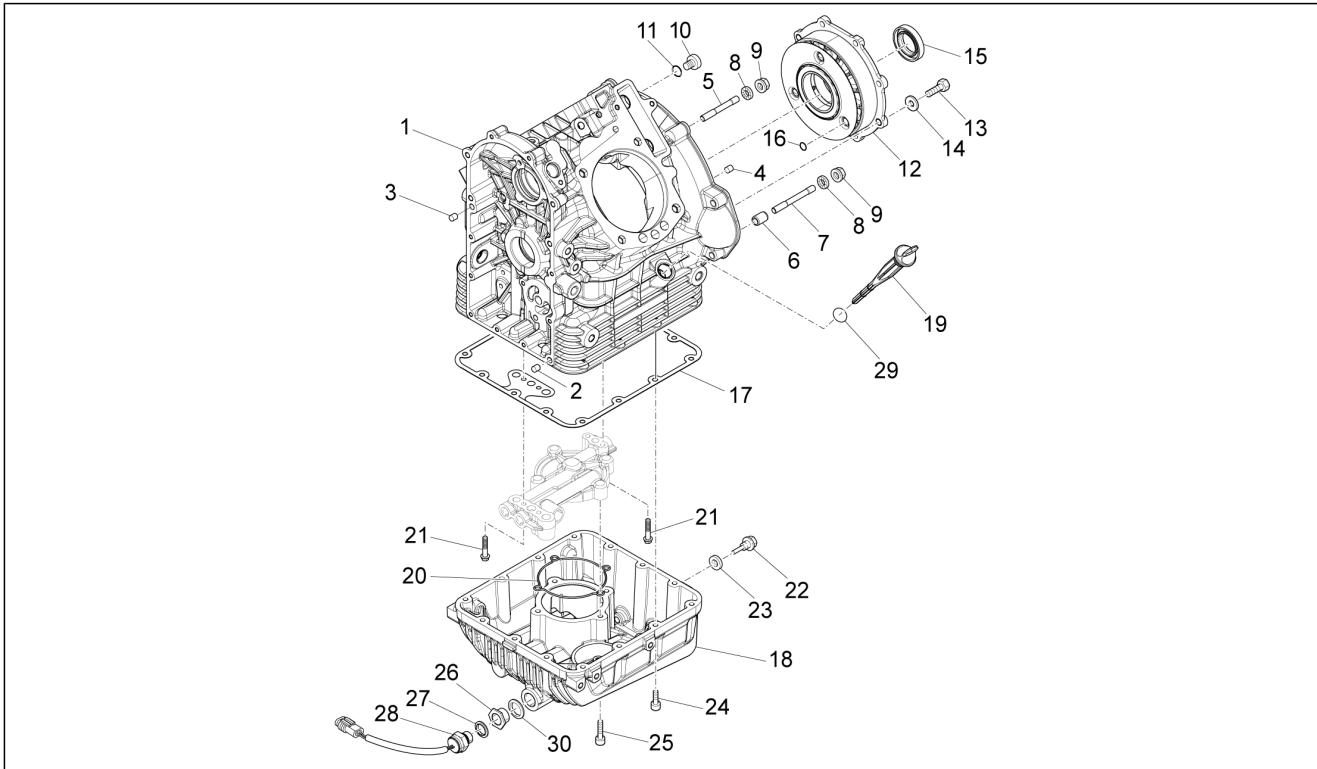
Pos.	Code	Description	Qty	Variants
1	CM2692015	Engine w/o gearbox	1	
2	B063306	Rh cover	1	
3	B06314300XNH	Starter motor cover, painted	1	
3	B063143	Starter motor cover, unpainted	1	
4	GU98210616	Screw w/ flange M6x16 inox	6	
5	GU91120606	Bushing 6,8x8,8x5,8	6	

Group	Engine
Code	03.020
Description	Gear lever
Service	1



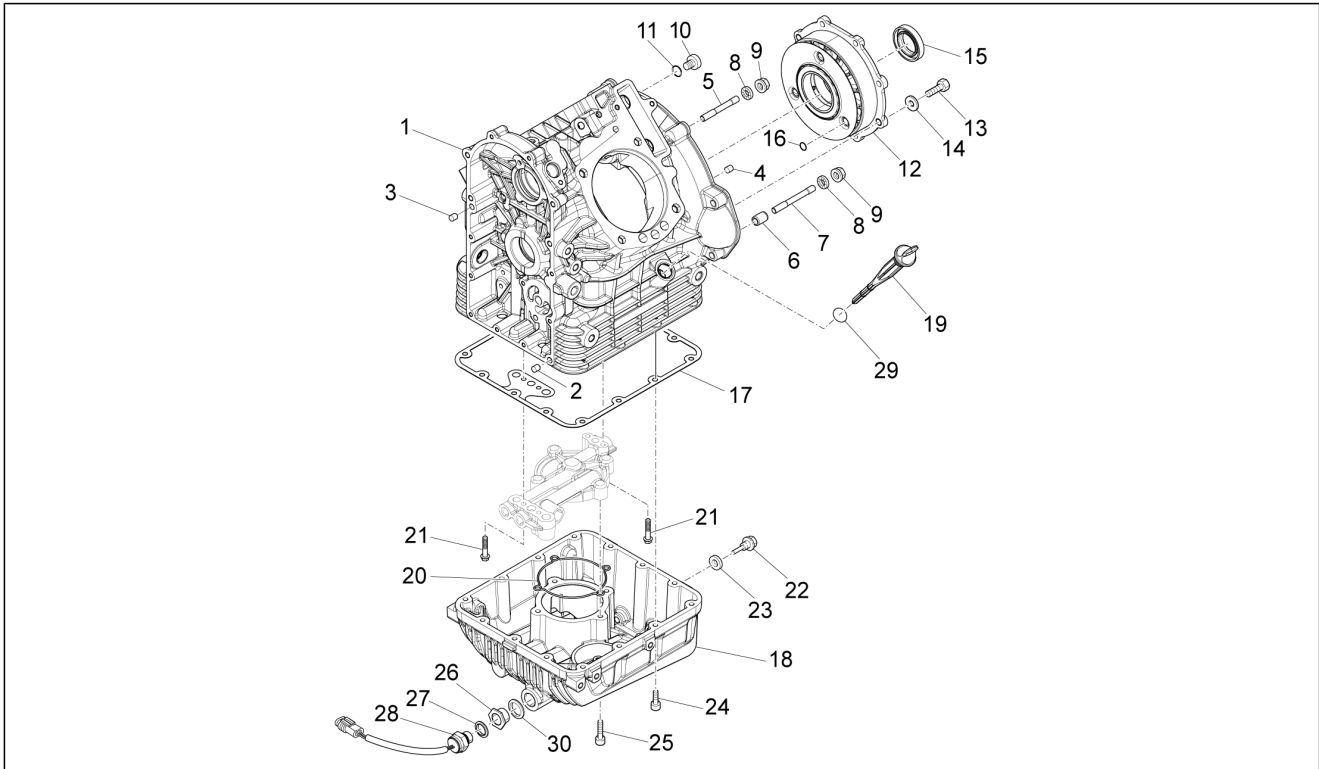
Pos.	Code	Description	Qty	Variants
1	2B000471	Gear change lever	1	
2	898397	Left ball joint M6	1	
3	GU13432640	Rubber pedal	1	
4	2B002339	Sintered bushing	1	
5	GU98690435	Hex socket screw M8x35	1	
6	2B001747	Fastening bushing	1	
7	288474	O-ring 20,35x1,78	2	
8	2B001908	Gear control tie rod	2	
9	GU31256881	LH thread nut M6	1	
10	GU92609206	Nut M6	2	
11	898396	RH ball joint M6	2	
12	GU98680460	Hex socket screw M8x60	1	
13	GU95008308	Washer	1	
14	AP8144007	O-ring 11,11x1,78	2	
15	B063903	Spacer	1	
16	895328	Sintered bushing	2	
17	887318	Lever	1	
18	GU92630206	Self-locking nut M6x1	2	
19	AP8152300	Self-locking nut M8	1	
20	GU92630707	Nut M6	1	
21	AP8210007	RH ball joint M6	1	
22	AP8110053	Left ball joint M6	1	
23	B063639	Tie rod assembly	1	
24	GU05256930	Lever	1	
25	GU98682320	Hex socket screw M6x20	1	

Group	Engine
Code	03.030
Description	Crankcases I
Service	1



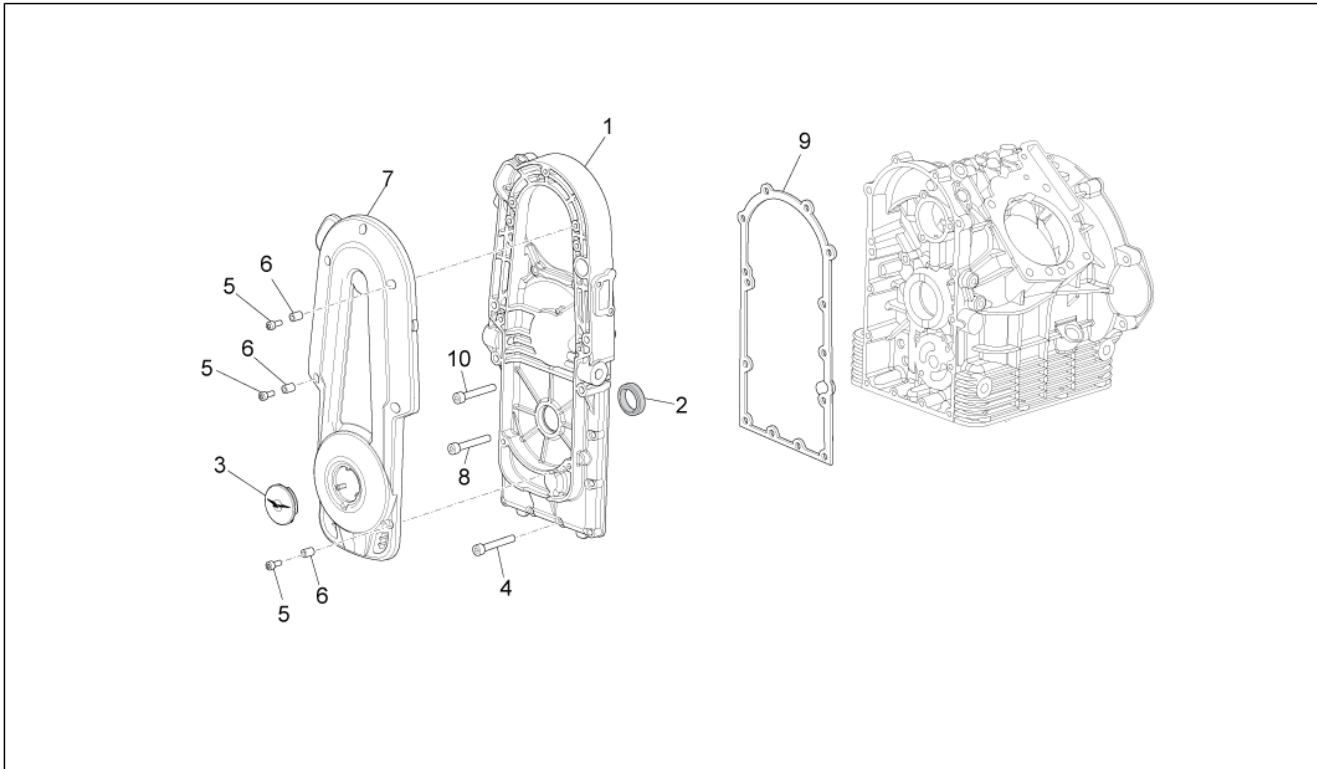
Pos.	Code	Description	Qty	Variants
1	886908	Crankcase, grey	1	
2	411209	Pin	2	
3	GU95512081	Pin	2	
4	560110	Pin	1	
5	GU96508066	Stud bolt M8x66	3	
6	GU12018900	Coupling bush	2	
7	GU96508075	Stud bolt M8x75	2	
8	GU14615901	Washer 8,4X13X0,8	5	
9	GU92660021	Flanged nut M8	5	
10	GU12022600	Oil plug	2	
11	GU90706203	O-ring 20,24X2,62	2	
12	976703	Complete flange	1	
13	GU98084425	Hex screw M8x25	8	
14	GU61270300	Spring washer 8x15x0,3	8	
15	GU90405367	Gasket ring	1	
16	1A008362	Seal ring (o-ring)	1	
17	B063861	Sump gasket	1	
18	B063271	Motor oil cup	1	
19	B063898	Oil dipstick	1	
20	B063850	Gasket	1	
21	AP8152284	Screw w/ flange	4	
22	GU31003766	Oil unload plug M10x1	1	
23	GU01528930	Gasket 10x18x1,5	1	
24	GU98682330	Hex socket screw M6x20	14	
25	AP8150285	Hex socket screw M6x35	4	
26	B063846	Joint	1	
27	GU01154230	Gasket	1	
28	B063461	Thermometric switch	1	

Group	Engine
Code	03.030
Description	Crankcases I
Service	1



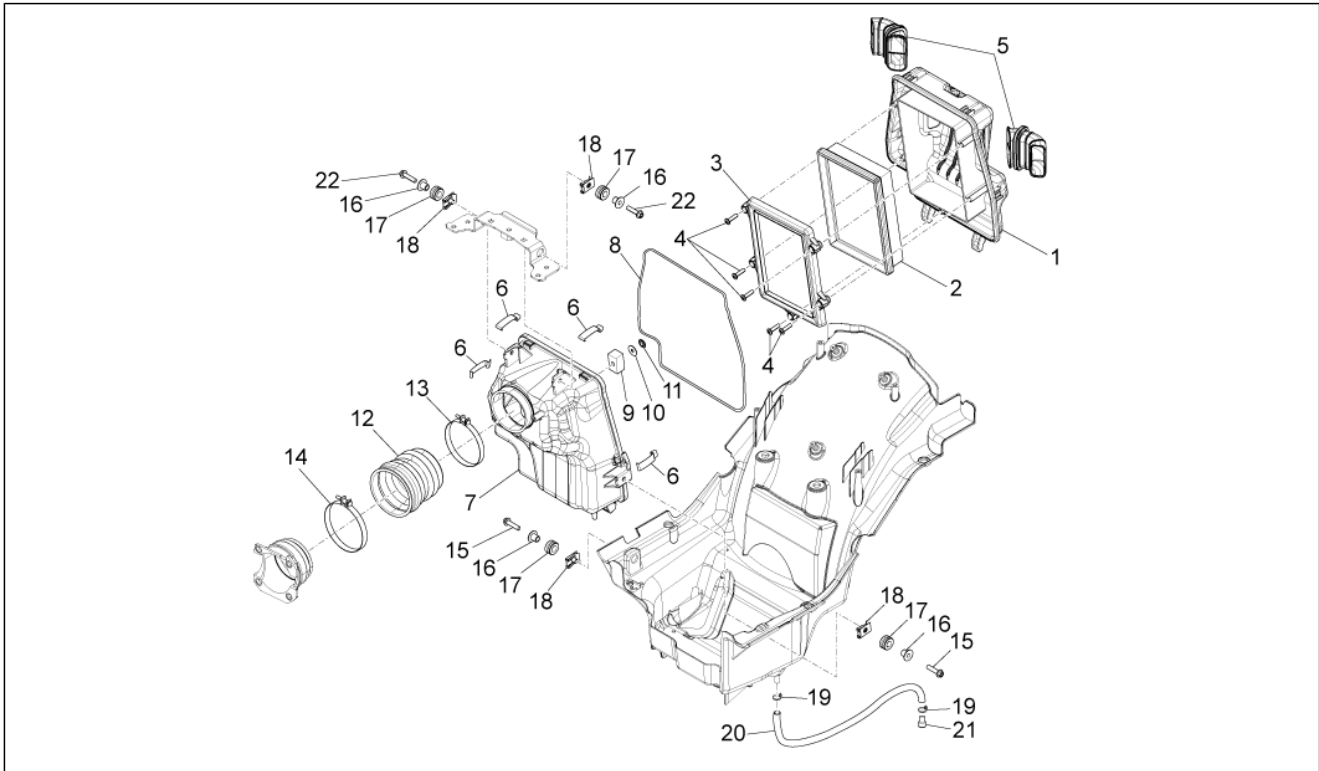
Pos.	Code	Description	Qty	Variants
29	GU90706178	O-ring 17,86X2,62	1	
30	GU95100709	Gasket 20,1x28x2	1	

Group	Engine
Code	03.040
Description	Crankcases I
Service	1



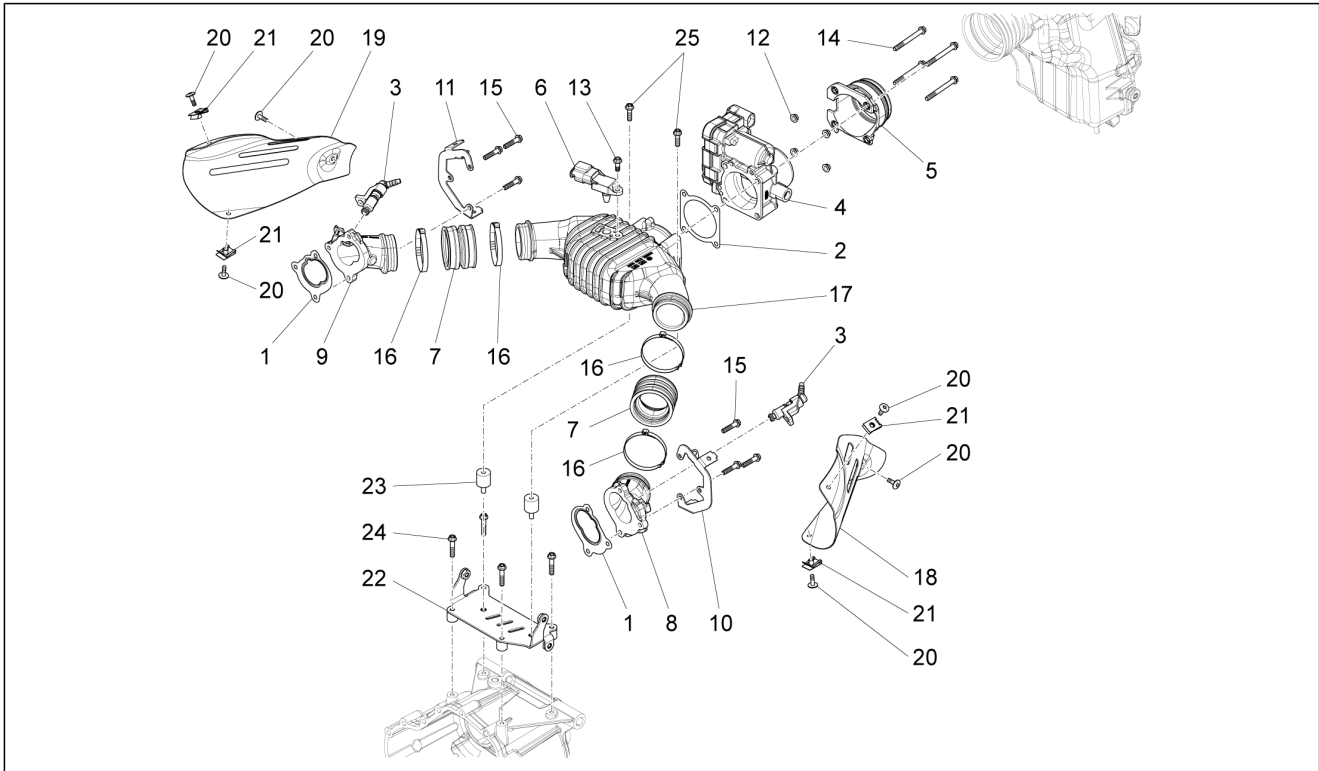
Pos.	Code	Description	Qty	Variants
1	976631	Timing system cover	1	
2	GU90412237	Gasket ring 22x35x7viton	1	
3	GU05002130	Cover	1	
4	GU98620335	screw M6x35	1	
5	GU98682316	Hex socket screw M6x16	6	
6	GU91120606	Bushing 6,8x8,8x5,8	6	
7	GU05001630	Alternator cover grey	1	
8	GU98620330	screw	9	
9	976478	Cover gasket	1	
10	GU98620455	Hex socket screw M8x55	4	

Group	Engine
Code	03.050
Description	Air box
Service	1



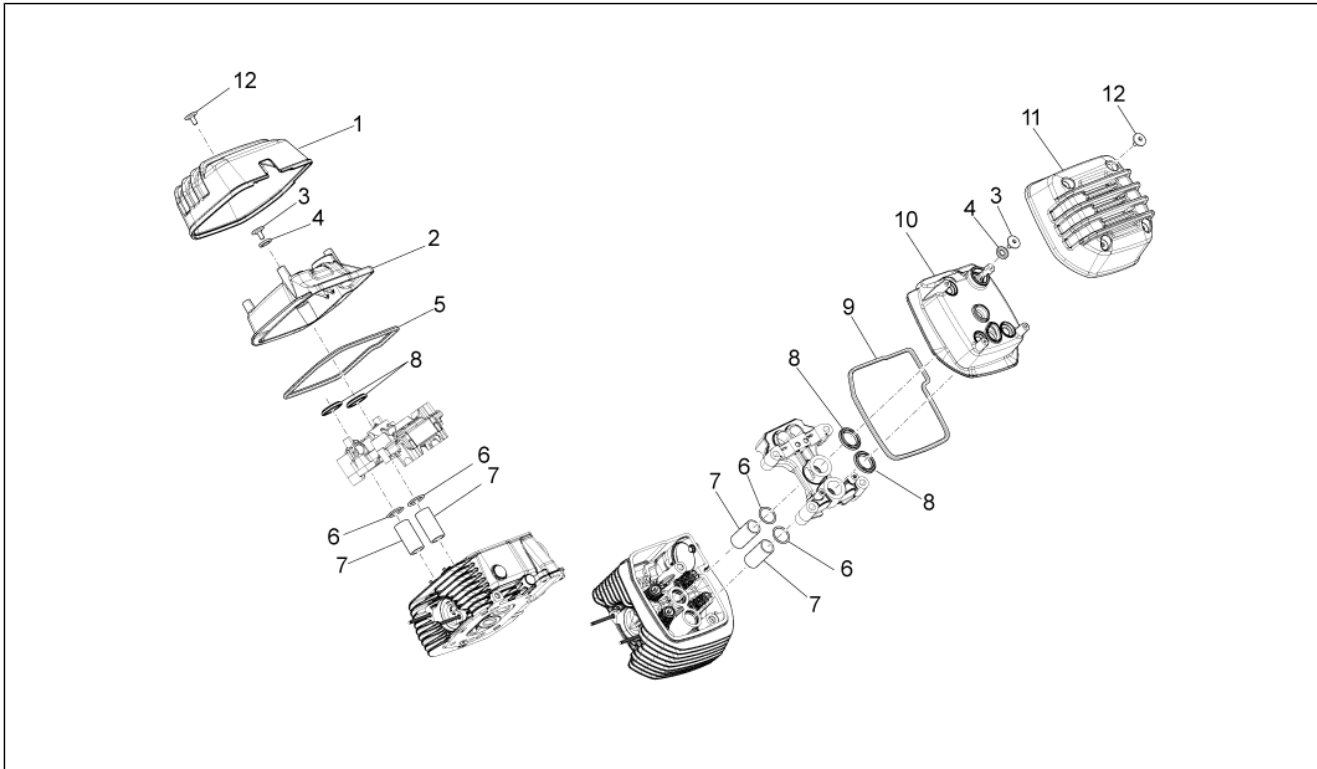
Pos.	Code	Description	Qty	Variants
1	886859	Filter box upper shell	1	
2	AP8104329	Air filter	1	
3	886867	Filter support	1	
4	AP8152329	Phillips screw, SWP M5x20	5	
5	886861	Intake hose	2	
6	622236	Spring	4	
7	886860	Filter box lower shell	1	
8	AP8120615	Gasket D3	1	
9	B063477	Blow-by filter	1	
10	567603	Washer	1	
11	AP8150450	Washer for shafts D5	1	
12	886871	Filter box sleeve	1	
13	B063957	Hose clamp D76	1	
14	GU93306070	Clamp 70x90x9	1	
15	AP8152280	Screw w/ flange M6x25	4	
16	AP8221023	T bush	4	
17	AP8120030	Rubber spacer	4	
18	254485	Spring plate M6	4	
19	AP8101595	Hose clamp D10,1	2	
20	AP8144038	Fuel pipe 6x10	1	
21	AP8120876	Plug	1	
22	AP8152279	Screw w/ flange M6x20	2	

Group	Engine
Code	03.060
Description	Throttle body
Service	1



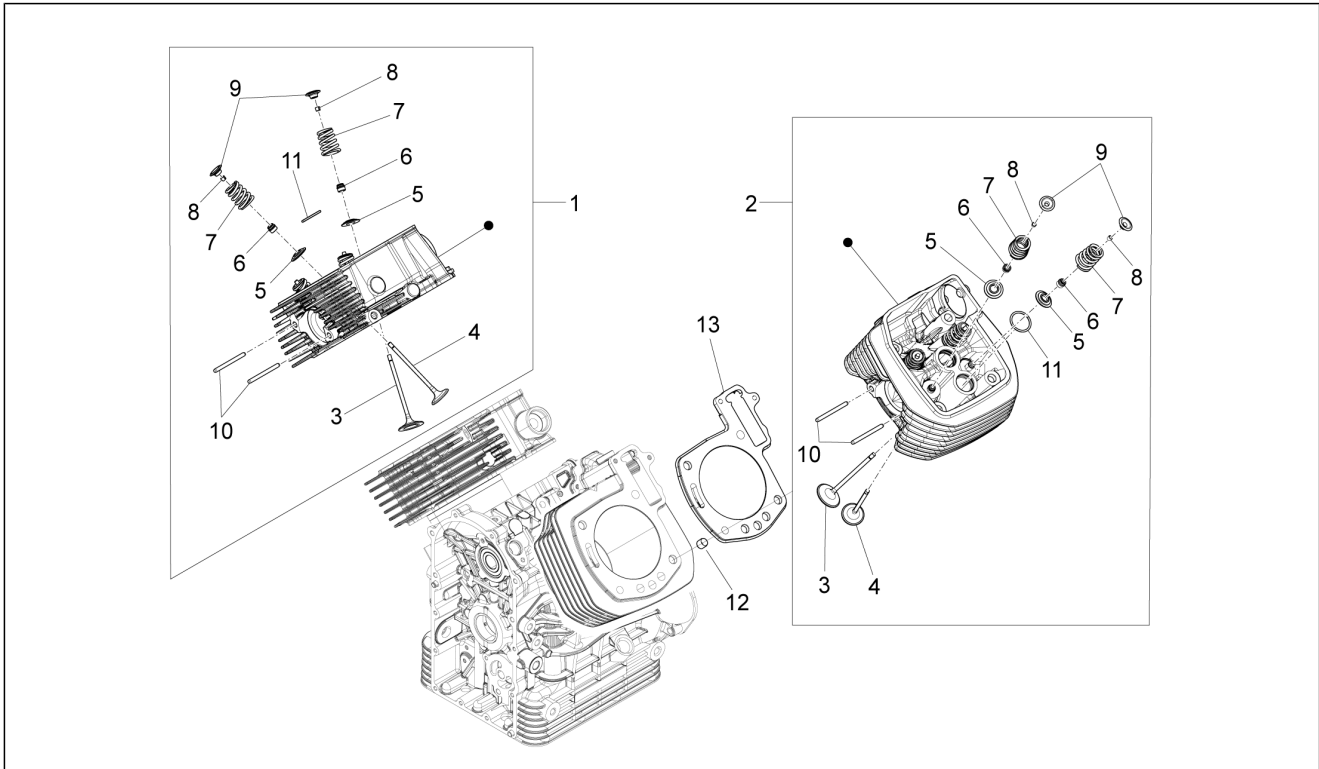
Pos.	Code	Description	Qty	Variants
1	887979	Induction joint gasket	2	
2	872264	Gasket	1	
3	B063442	Injector	2	
4	872230	Throttle body	1	
5	B063333	Throttle body trombone	1	
6	887015	Air temp. Sensor	1	
7	887808	Throttle body hose	2	
8	8871714	Union pipe SX	1	
9	8871724	Union pipe DX	1	
10	B063160	LH clamp	1	
11	B063161	RH clamp	1	
12	887282	T bushing	4	
13	AP8152278	Screw w/ flange M6x16	1	
14	B016425	Screw w/ flange M6x60	4	
15	B017633	Hex socket screw	6	
16	857306	Hose clamp	4	
17	2A000578	Compensator volume	1	
18	2B001640	LH protection black	1	
19	2B001639	RH protection black	1	
20	976614	Hex socket screw M5x15	6	
21	248419	Spring plate M5	4	
22	886869	Support bracket	1	
23	GU93222023	Silent-block	2	
24	B017633	Hex socket screw	4	
25	AP8152278	Screw w/ flange M6x16	2	

Group	Engine
Code	03.090
Description	Head cover
Service	1



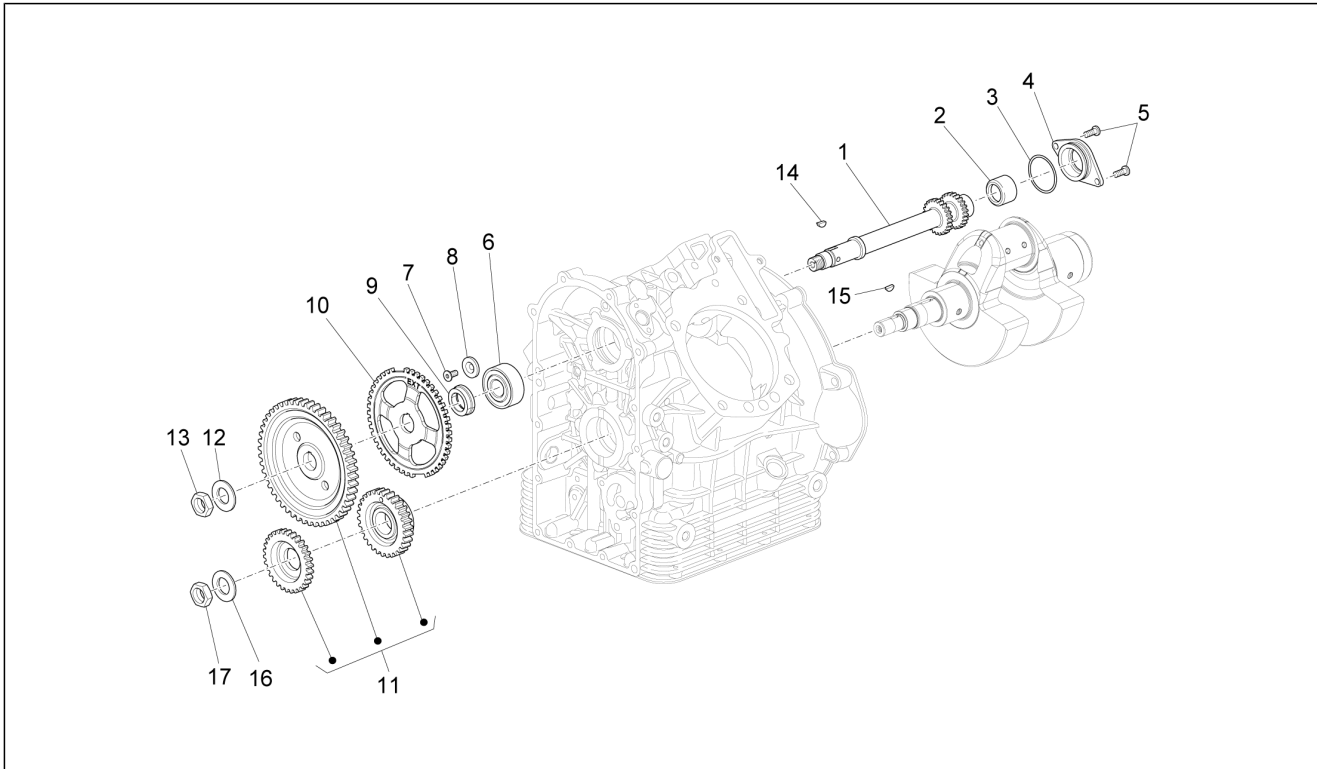
Pos.	Code	Description	Qty	Variants
1	2B0028395	RH Head cover	1	
2	887805	RH Head cover	1	
3	976591	Special screw	8	
4	879975	Damper drift	8	
5	872742	RH gasket	1	
6	873626	O-ring 26X2,5	4	
7	879987	Spark plug pipe	4	
8	880127	Gasket	4	
9	872741	LH gasket	1	
10	887334	LH Head cover	1	
11	2B0028385	LH Head cover	1	
12	887956	Head cover screw	1	

Group	Engine
Code	03.100
Description	Cylinder head - valves
Service	1



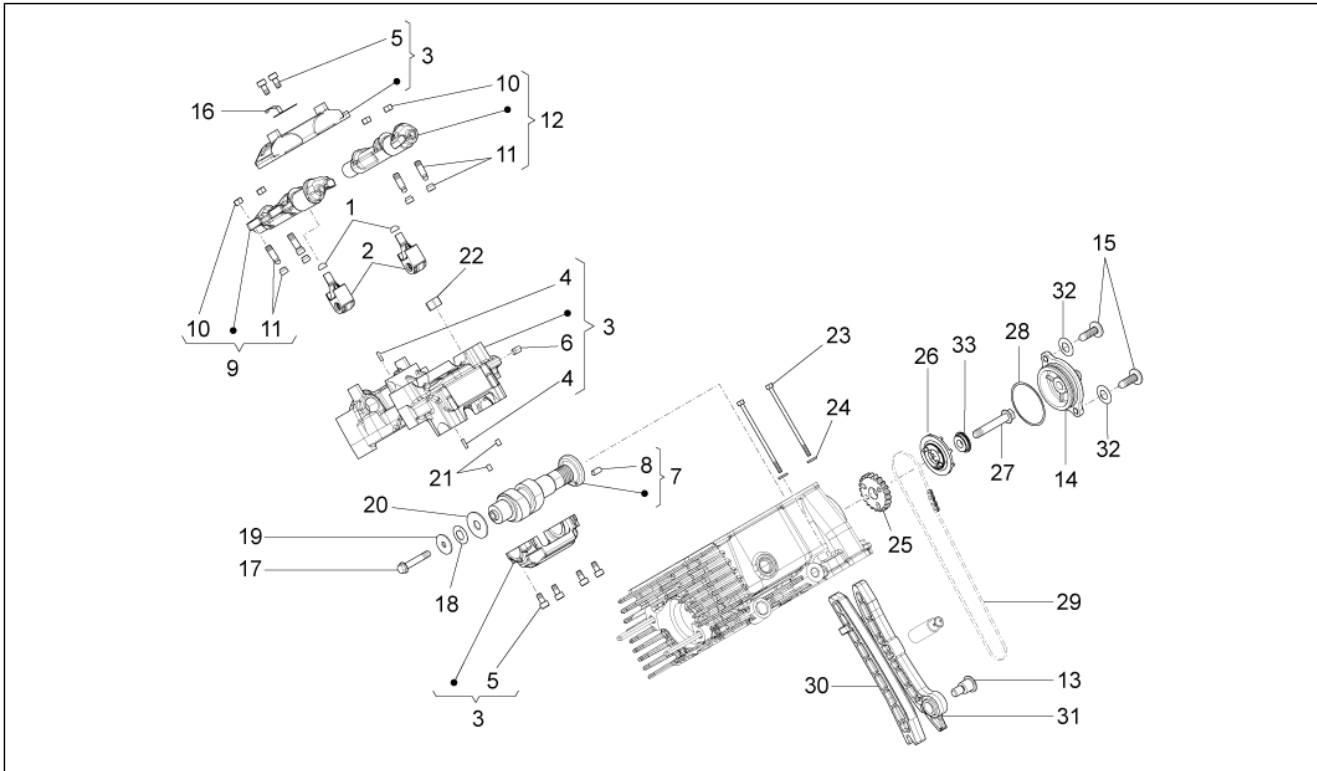
Pos.	Code	Description	Qty	Variants
1	2A000485	RH head assy w/h valve	1	
2	2A000484	LH head assy with valve	1	
3	872695	Intake valve	4	
4	872696	Exhaust valve	4	
5	874127	Lower cup	8	
6	436438	Valve gasket ring	8	
7	B013517	Valve spring	8	
8	285846	Valve half-cone	16	
9	874126	Upper cup	8	
10	B017636	Exhaust pipe stud bolt	4	
11	873626	O-ring 26X2,5	4	
12	825597	Pin 11,8X10	8	
13	887456	Cylinder head gasket sp0,6	1	
13	887454	Cylinder head gasket sp.0,8	1	
13	887455	Cylinder head gasket sp.1	1	

Group	Engine
Code	03.120
Description	Timing system
Service	1



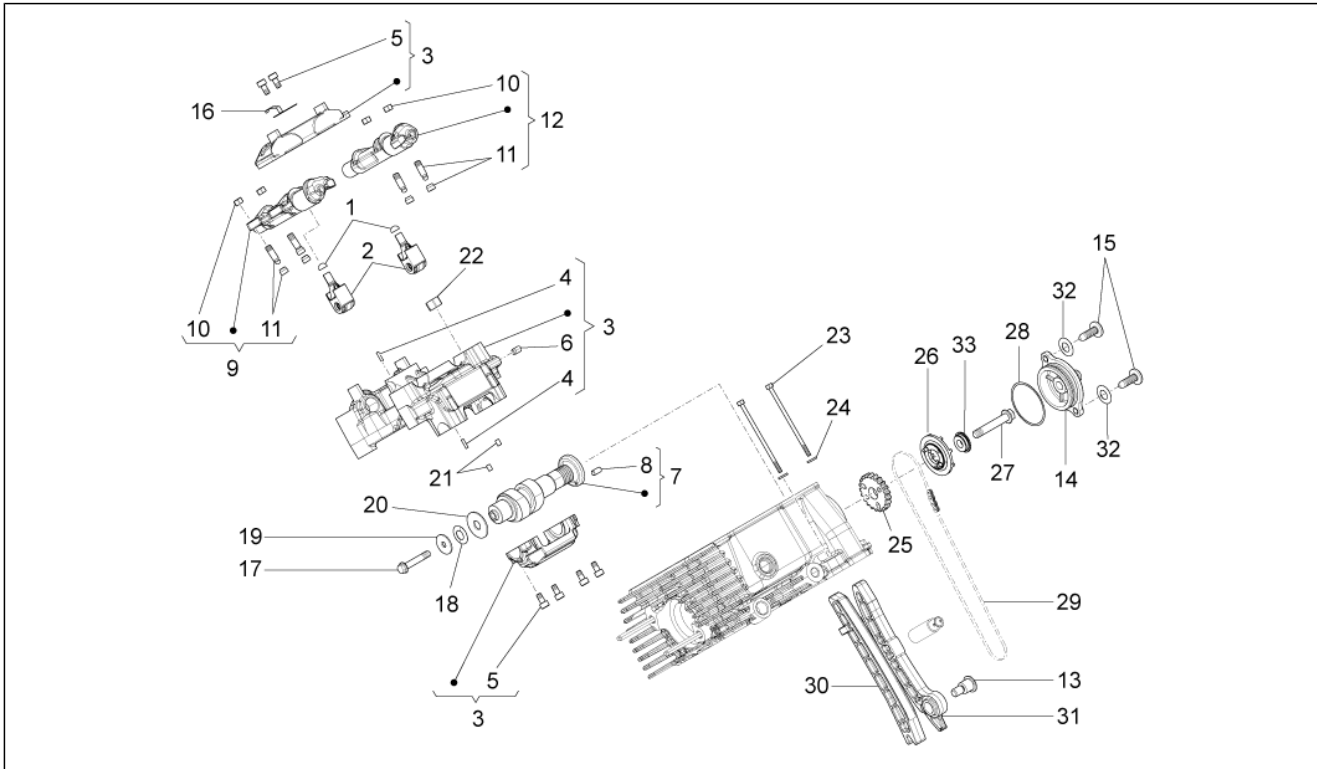
Pos.	Code	Description	Qty	Variants
1	976330	Timing system	1	
2	976381	Roller cage 25x32x12	1	
3	976488	O-ring 37,82x1,78	1	
4	976331	Flange	1	
5	GU98350315	Hex socket screw M6x14	2	
6	976355	Ball bearing 20x47x18	1	
7	AP8152166	screw M6x16	1	
8	873928	Washer	1	
9	887524	Spacer	1	
10	887030	Phonic wheel	1	
11	85269R	Gear kit	1	
12	GU14433400	Spring washer 19x34x1,5	1	
13	829232	Nut M18x1,5	1	
14	887044	Tab 4x5	1	
15	GU91600365	Transmission key 3x6,5	1	
16	976665	Belleville spring	1	
17	976649	Nut M25x1,5	1	

Group	Engine
Code	03.135
Description	RH cylinder timing system I
Service	1



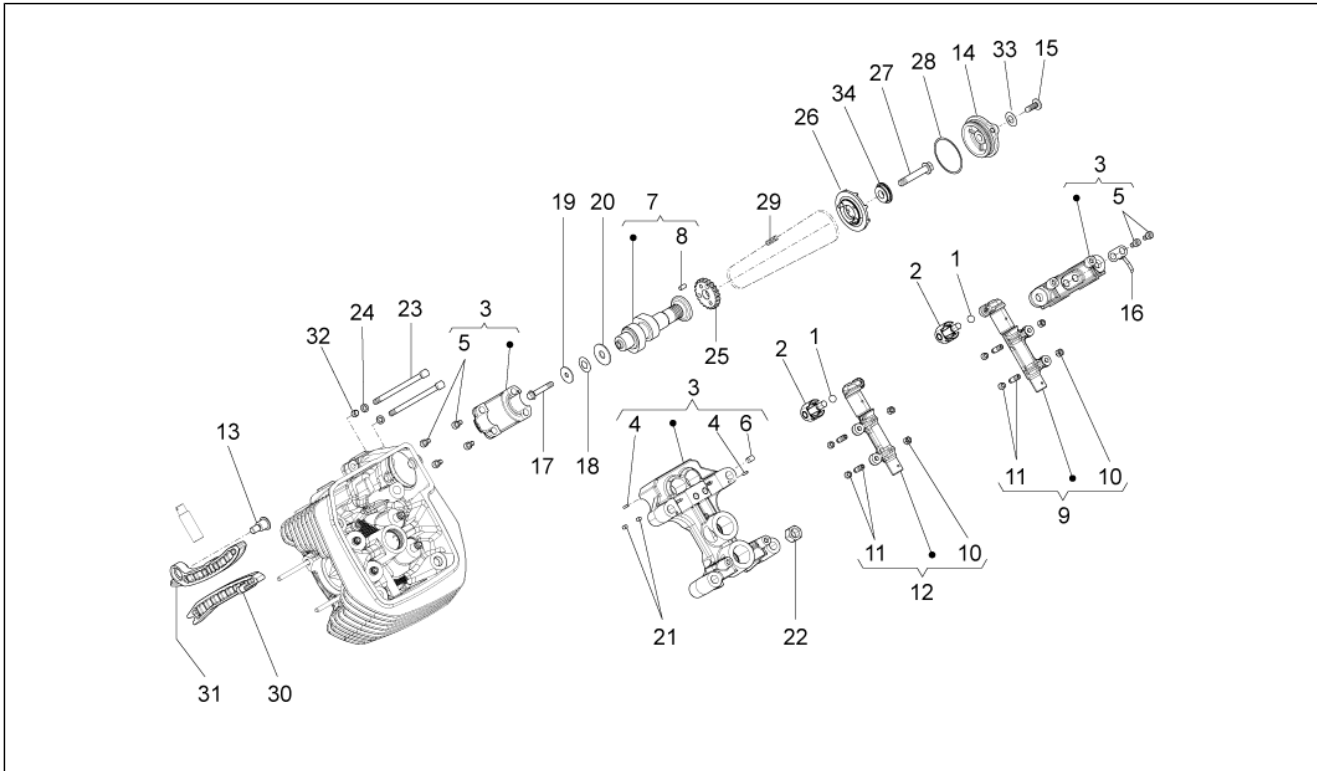
Pos.	Code	Description	Qty	Variants
1	878574	Pad	2	
2	B017067	Tappet	2	
3	887161	Rockers axle support DX	1	
4	872759	Pin D. 2,5	4	
5	015792	screw M8x30	6	
6	842360	Plug M6x10	1	
7	B014576	Cam axle	1	
8	976589	Pin	1	
9	2A000251	***Rocker arm assy (In LF/Ex RH)	1	
10	879916	Rocker arm adjuster nut	4	
11	879707	Adjuster screw	4	
12	2A000252	***Rocker arm assy (In RH/Ex LF)	1	
13	878868	Spacer screw M8	1	
14	2A000082	Oil bleed cover	1	
15	B016796	Torx convex big end screw	2	
16	B013661	Plate	1	
17	414837	Screw w/ flange M6x25	1	
18	879938	Belleville spring	1	
19	879936	Shim washer	1	
20	879937	Shim washer	1	
21	B013552	Roller	2	
22	825694	Nut M10x1,25	8	
23	487444	Screw w/ flange M6x120	2	
24	976674	Plain washer 12x6,1x2	2	
25	976350	Timing gear	1	
26	2A000080	Centrifugal separator	1	
27	1A000425	Screw w/ flange	1	
28	880965	Gasket ring 2,62x46,52	1	

Group	Engine
Code	03.135
Description	RH cylinder timing system I
Service	1



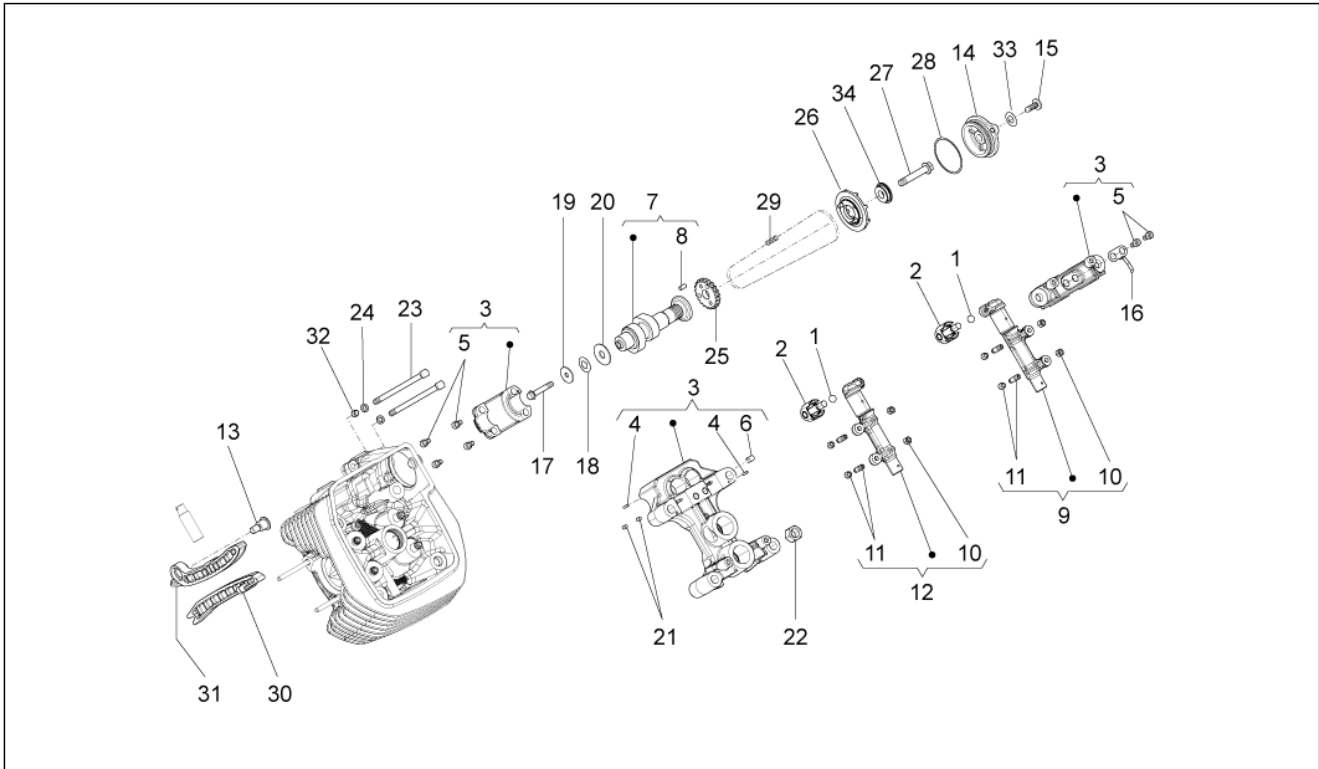
Pos.	Code	Description	Qty	Variants
29	976341	Camshaft chain	1	
30	976338	Chain guide plate	1	
31	976337	Chain tensioner sliding block	1	
32	GU95129100	Spring washer 5,3X10X0,5	2	
33	2A000081	Spacer	1	

Group	Engine
Code	03.145
Description	LH cylinder timing system I
Service	1



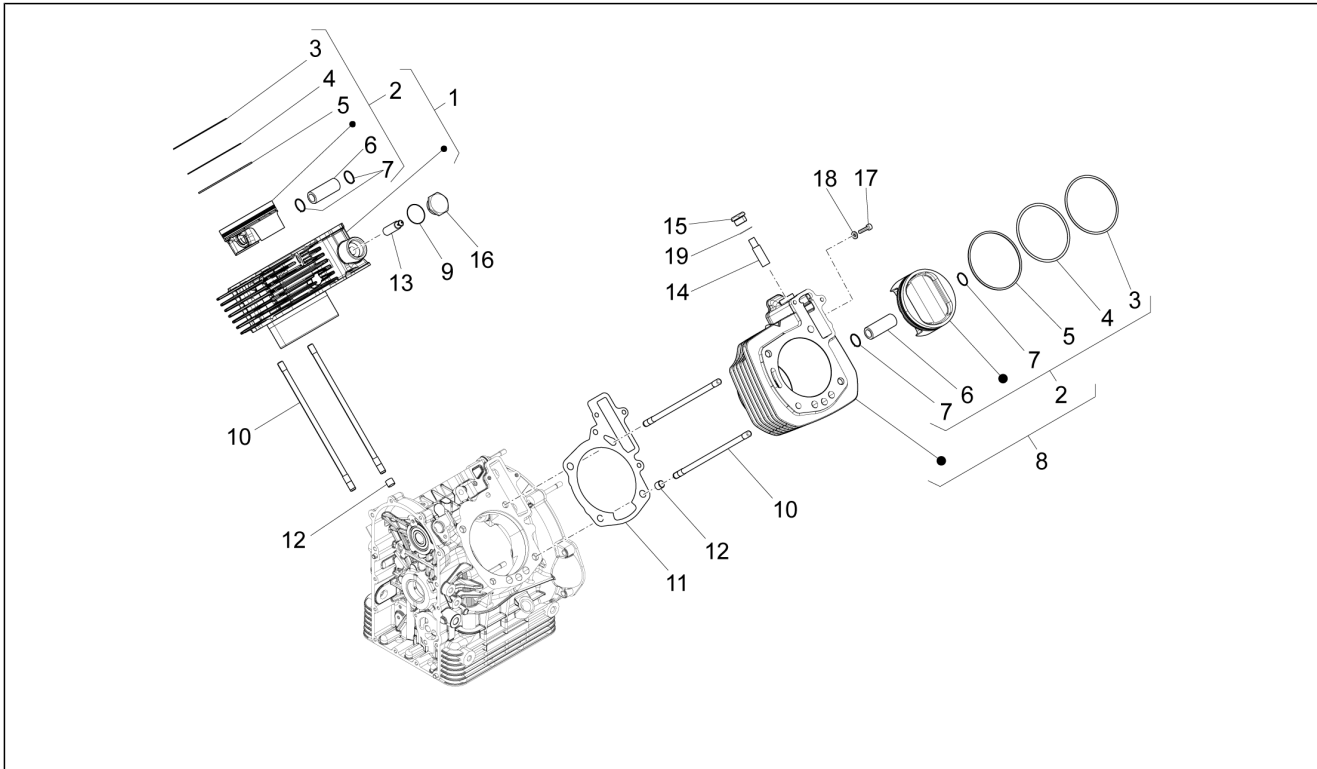
Pos.	Code	Description	Qty	Variants
1	878574	Pad	2	
2	B017067	Tappet	2	
3	887162	Rockers axle support SX	1	
4	872759	Pin D. 2,5	4	
5	015792	screw M8x30	6	
6	842360	Plug M6x10	1	
7	B014576	Cam axle	1	
8	976589	Pin	1	
9	B0136034	Right exhaust left intake rocker	1	
10	879916	Rocker arm adjuster nut	4	
11	879707	Adjuster screw	4	
12	B0136054	Left exhaust right intake rocker	1	
13	878868	Spacer screw M8	1	
14	2A000082	Oil bleed cover	1	
15	B016796	Torx convex big end screw	2	
16	B013661	Plate	1	
17	414837	Screw w/ flange M6x25	1	
18	879938	Belleville spring	1	
19	879936	Shim washer	1	
20	879937	Shim washer	1	
21	B013552	Roller	2	
22	825694	Nut M10x1,25	4	
23	487444	Screw w/ flange M6x120	2	
24	976674	Plain washer 12x6,1x2	2	
25	976350	Timing gear	1	
26	2A000080	Centrifugal separator	1	
27	1A000425	Screw w/ flange	1	
28	880965	Gasket ring 2,62x46,52	1	

Group	Engine
Code	03.145
Description	LH cylinder timing system I
Service	1



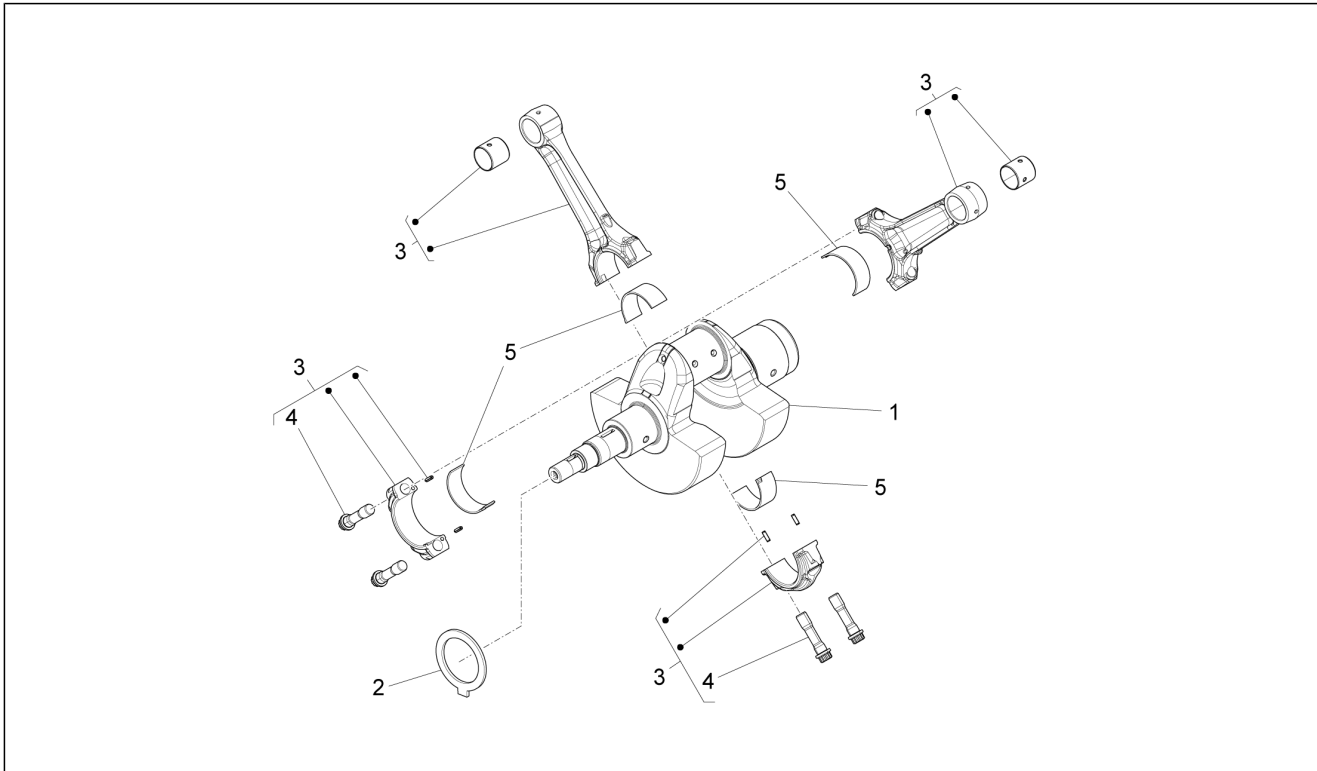
Pos.	Code	Description	Qty	Variants
29	976341	Camshaft chain	1	
30	976338	Chain guide plate	1	
31	976337	Chain tensioner sliding block	1	
32	244585	Spacer	1	
33	GU95129100	Spring washer 5,3X10X0,5	2	
34	2A000081	Spacer	2	

Group	Engine
Code	03.150
Description	Cylinder - Piston
Service	1



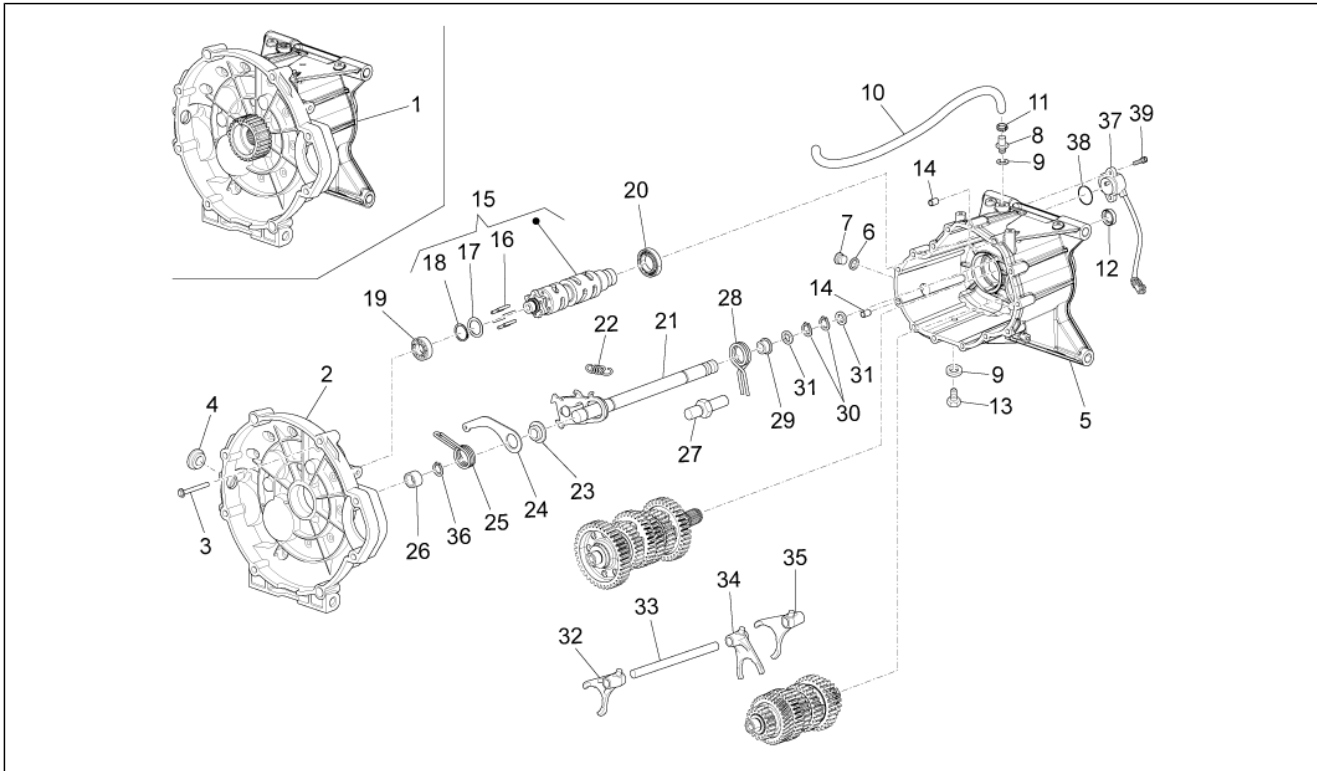
Pos.	Code	Description	Qty	Variants
1	B064047	Cylinder with piston assy., RH	1	
2	8868810002	Complete piston E	2	
2	8868810001	Piston assy "D"	2	
2	8868810003	Complete piston F	2	
3	886883	Piston ring	2	
4	886884	Piston ring	2	
5	886885	Piston ring	2	
6	886886	Gudgeon bucket	2	
7	874567	Stop ring	4	
8	B064046	Cylinder with piston assy., LH	1	
9	B015126	O-ring 26.64x2.62	1	
10	976899	Stud bolt M10x251	8	
11	976312	Cylinder base gasket	2	
12	825597	Pin 11,8X10	4	
13	873689	RH chain tensioner	1	
14	873690	LH chain tensioner	1	
15	976342	Chain tension.plug	1	
16	B015125	Chain tension.plug	1	
17	GU98350310	Hex socket screw M6x20	1	
18	GU95100116	Washer 6,25x10x1,5	1	
19	849866	Washer	1	

Group	Engine
Code	03.160
Description	Drive shaft
Service	1



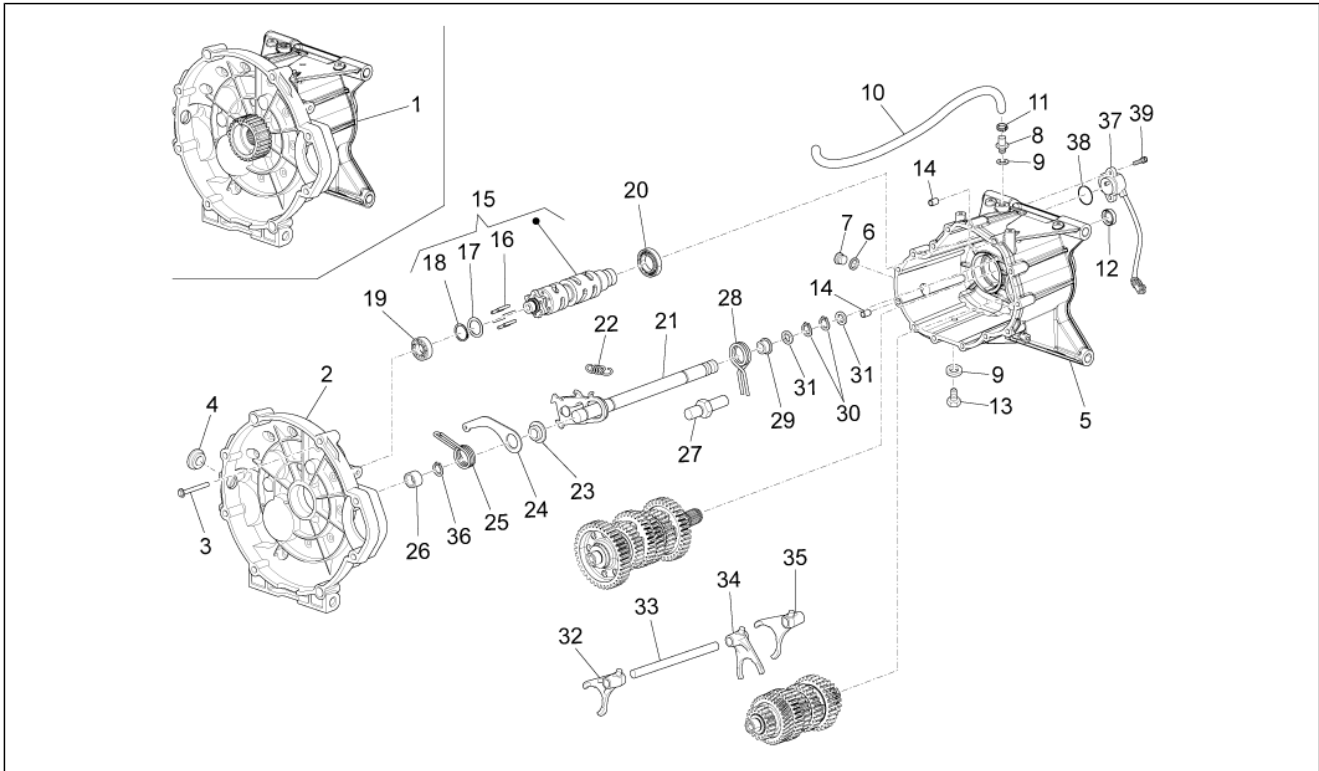
Pos.	Code	Description	Qty	Variants
1	886855002	Crankshaft cpl.	1	Technical Specification: Colour selection Green[C2]
1	886855003	Crankshaft cpl.	1	Technical Specification: Colour selection Black[C3]
1	886855001	Crankshaft cpl.	1	Technical Specification: Colour selection Brown[C1]
2	874293	Thrust washer	1	
3	8783390003	Connecting rod cpl.	2	Technical Specification: Colour selection Black[C3] Mape[M]
3	2A0000920A	Connecting rod cpl. 0.588-0.598	2	Technical Specification: Colour selection Brown[C1] Sansera[S]
3	2A0000920C	Connecting rod cpl. 0.608-0.618	2	Technical Specification: Colour selection Black[C3] Sansera[S]
3	8783390001	Connecting rod cpl.	2	Technical Specification: Colour selection Brown[C1] Mape[M]
3	8783390002	Connecting rod cpl.	2	Technical Specification: Colour selection Green[C2] Mape[M]
3	2A0000920B	Connecting rod cpl. 0.598-0.608	2	Technical Specification: Colour selection Green[C2] Sansera[S]
4	849131	Connecting rod screw	4	
5	875244	Bushing half-shell, blue 44,008 - 44,014	2	Technical Specification: Blue sign[BS]
5	875243	Bushing half-shell, red 44,014 - 44,020	2	Technical Specification: Red sign[RS]

Group	Engine
Code	03.170
Description	Gear box / Selector / Shift cam
Service	1



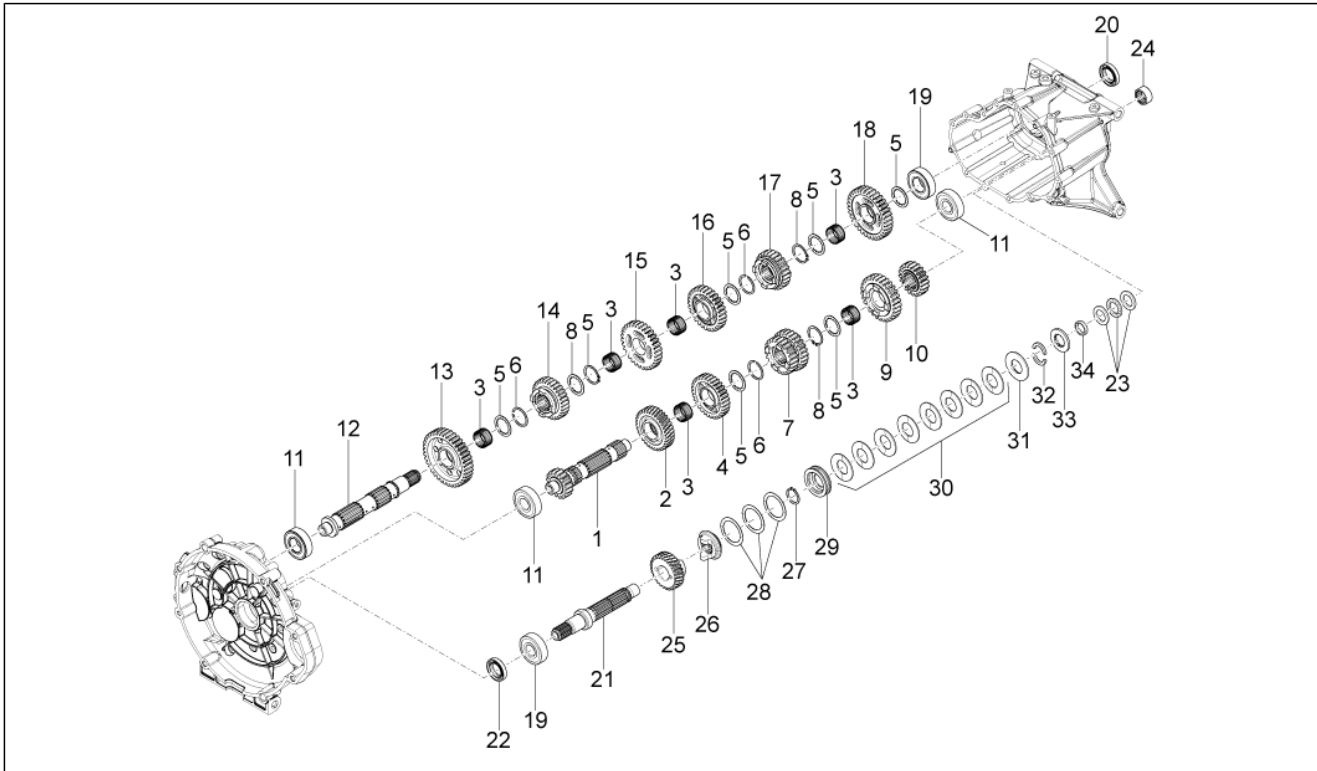
Pos.	Code	Description	Qty	Variants
1	9769975	Transmission, assy	1	
2	B0630754	Clutch housing, grey	1	
3	GU97202355	Screw w/ flange M6x55	14	
4	GU93180220	Cover	1	
5	8868655	Transmission cage	1	
6	GU95980319	Oil plug M18x1,5	1	
7	GU18144350	Washer 18,25x24x1	1	
8	GU05204930	Breather plug	1	
9	GU01528930	Gasket 10x18x1,5	2	
10	AP8120952	Fuel pipe 5,5x10	1	
11	AP8101595	Hose clamp D10,1	1	
12	GU90401424	Gasket ring 14x24x7	1	
13	GU31003766	Oil unload plug M10x1	1	
14	GU19002020	Bushing 6,6x9x13	2	
15	886875	Shift cam cpl.	1	
16	GU05234631	Pin	6	
17	GU05235531	Spacer	1	
18	GU90271022	Circlip	1	
19	GU92201117	Ball bearing 17x35x10	1	
20	GU92201025	Ball bearing 25x42x9	1	
21	GU05236231	Preselection complete	1	
22	GU05238231	Spring	1	
23	GU05238431	Bushing	1	
24	B064112	Index assy. lever	1	
25	B064113	Index spring	1	
26	GU05234230	Spacer	1	
27	B063905	Fixing pin	1	
28	B063956	Spring	1	

Group	Engine
Code	03.170
Description	Gear box / Selector / Shift cam
Service	1



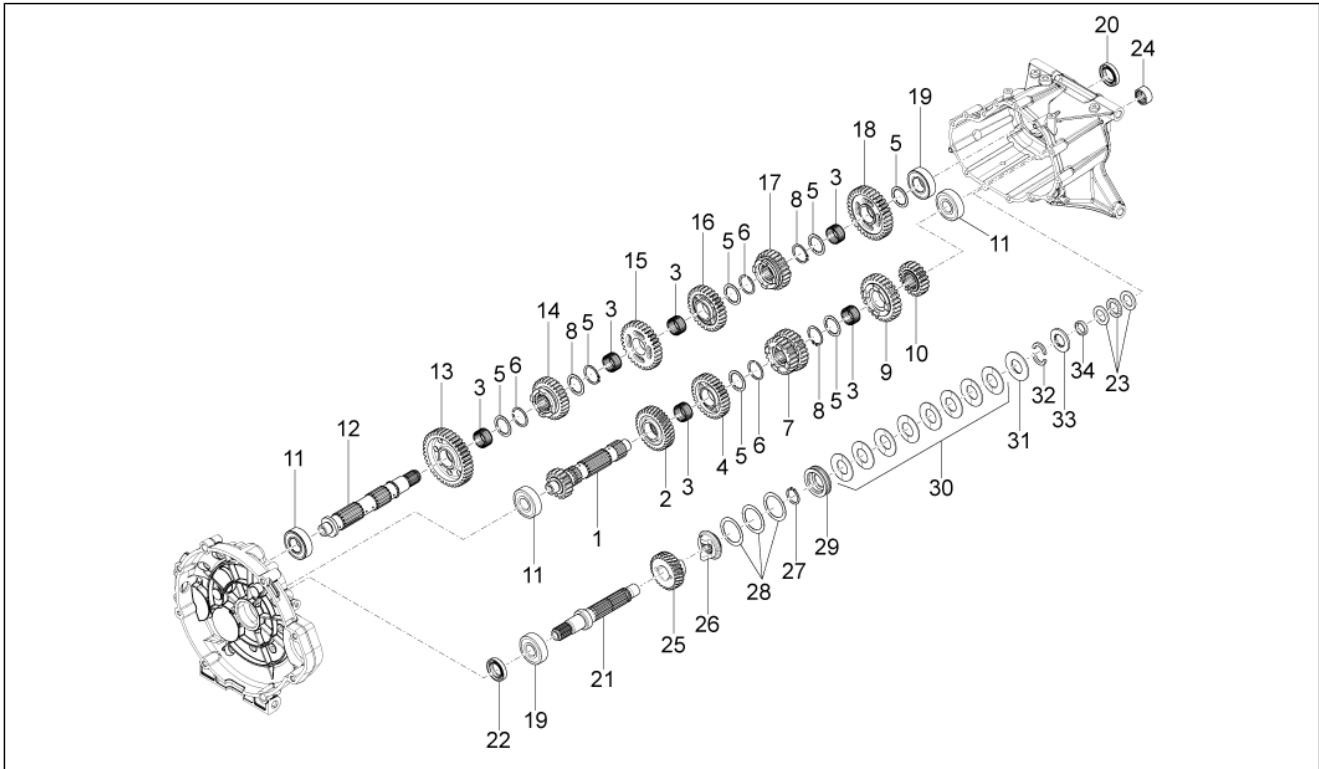
Pos.	Code	Description	Qty	Variants
29	GU05238131	Spacer	1	
30	GU90271014	Circlip	2	
31	GU05239330	Fifth wheel	2	
32	GU05230531	Fork 1a-3a	1	
33	GU05232431	Fork shaft	1	
34	GU05232631	Fork 5a-6a	1	
35	GU05230831	Fork 2a-4a	1	
36	GU90353014	Circlip	1	
37	857265	Gear position sensor	1	
38	857494	O-ring	1	
39	AP8152273	Screw w/ flange M5x15	2	

Group	Engine
Code	03.180
Description	Gear box - Gear assembly
Service	1



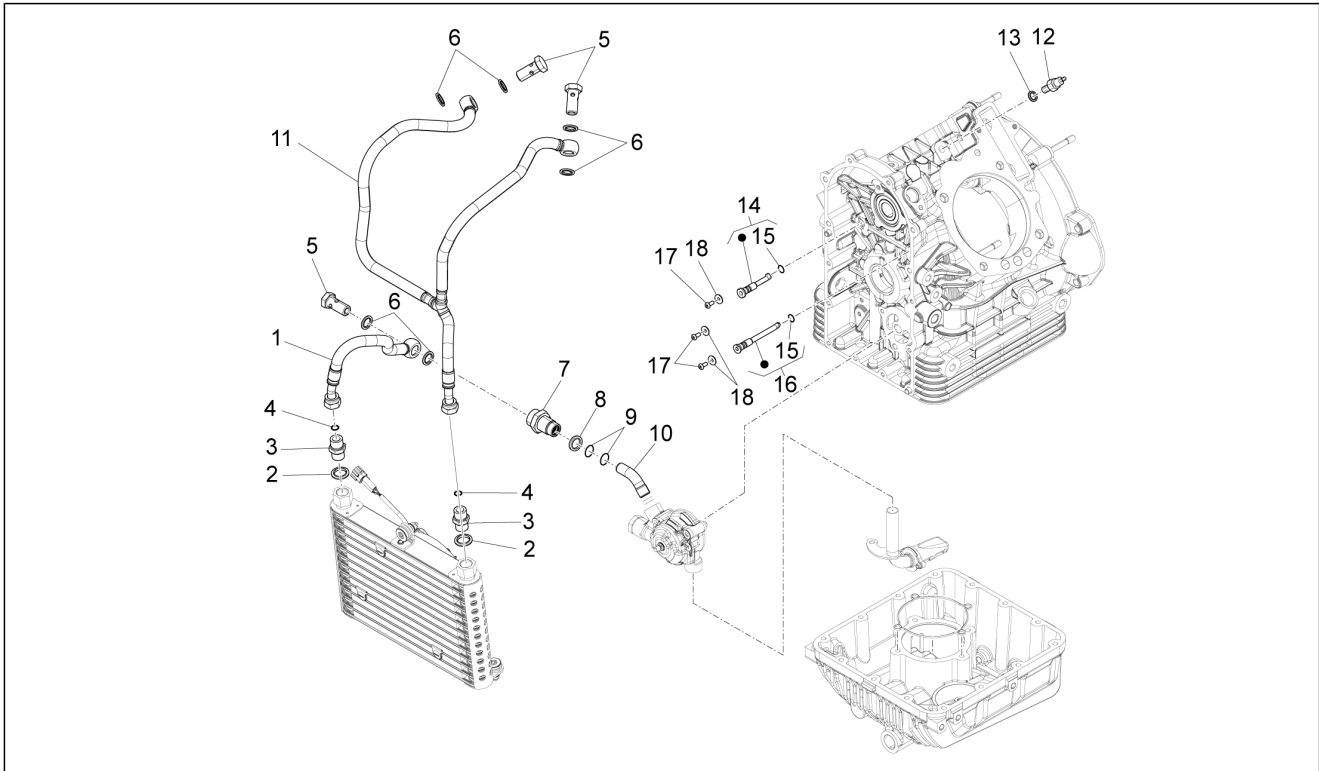
Pos.	Code	Description	Qty	Variants
1	GU05210631	Primary gear shaft Z=17	1	
2	GU05215631	Drive gears Z=35	1	
3	GU92252029	Roller cage 26x30x15,6	6	
4	GU05212031	Gear 5a Z=31	1	
5	GU05214630	Clearance washer	2	
6	GU90271230	Snap ring 30x1,25W	3	
7	GU05211431	Gear 3a-4a Z=23-26	1	
8	GU90271030	Snap ring 30x27,9	1	
9	976179	Gear 6a Z=30	1	
10	GU05211331	Gear 2a Z=20	1	
11	GU92201822	Ball bearing 20x52x15	3	
12	GU05213631	Driven shaft	1	
13	GU05214231	Gear 1a Z=38	1	
14	GU05214031	Gear 5a Z=30	1	
15	GU05214731	Gear 3a Z=31	1	
16	GU05215031	Gear 4a Z=29	1	
17	976180	Gear 6a Z=24	1	
18	GU05214431	Gear 2a Z=34	1	
19	GU92201226	Ball bearing 25x52x15	2	
20	GU90412541	Gasket ring 25X40X7	1	
21	B063832	Clutch shaft	1	
22	976533	Gasket ring 25x47x7	1	
23	976532	Thrust bearing	1	
24	GU92232028	Roller bearing 20x28x13	1	
25	GU05211131	Idle gear Z=26	1	
26	GU05211231	Hose	1	
27	GU90271125	Snap ring 25x2	1	
28	GU95129340	Washer	3	

Group	Engine
Code	03.180
Description	Gear box - Gear assembly
Service	1



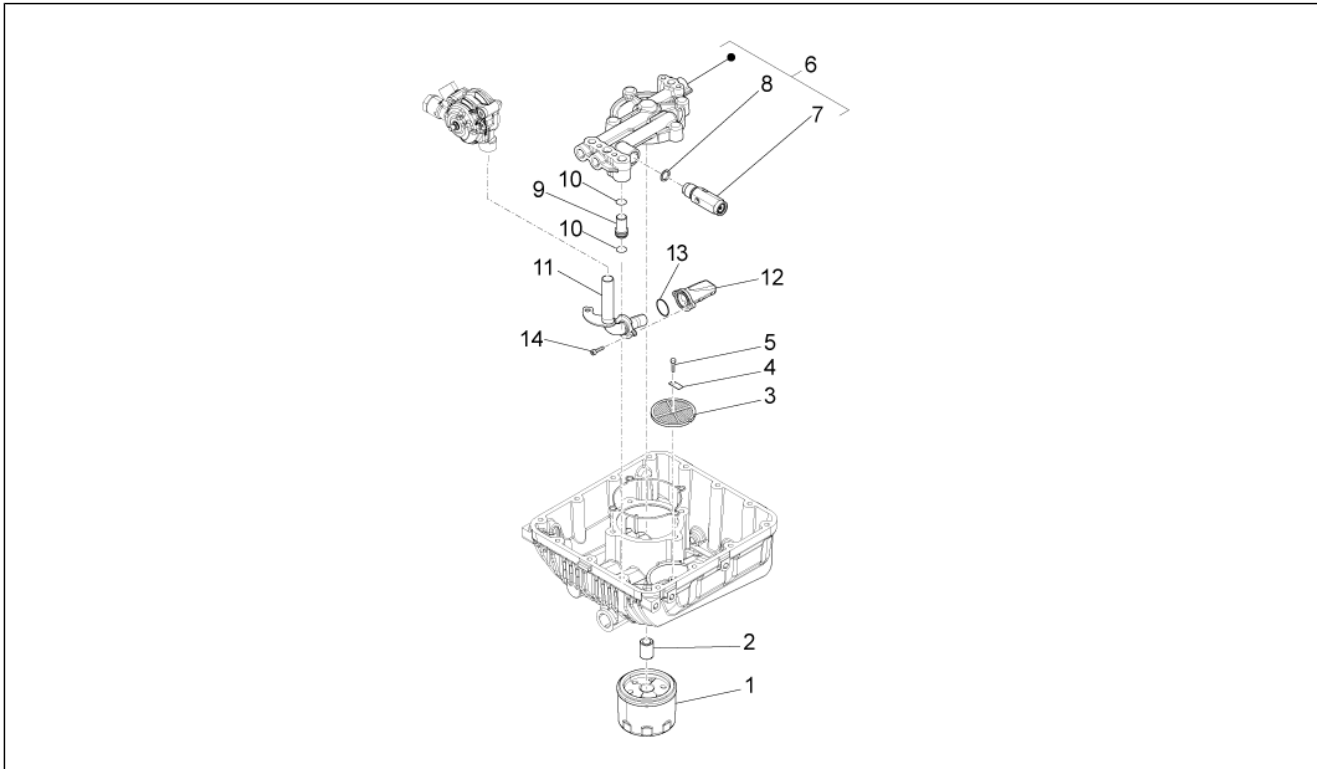
Pos.	Code	Description	Qty	Variants
29	GU05211030	Disc	1	
30	GU05211530	Belleville spring	8	
31	B063978	Clutch collar	1	
32	B063977	Half ring	1	
33	B063836	Fifth wheel	1	
34	B063979	Bushing	1	

Group	Engine
Code	03.190
Description	Lubrication
Service	1



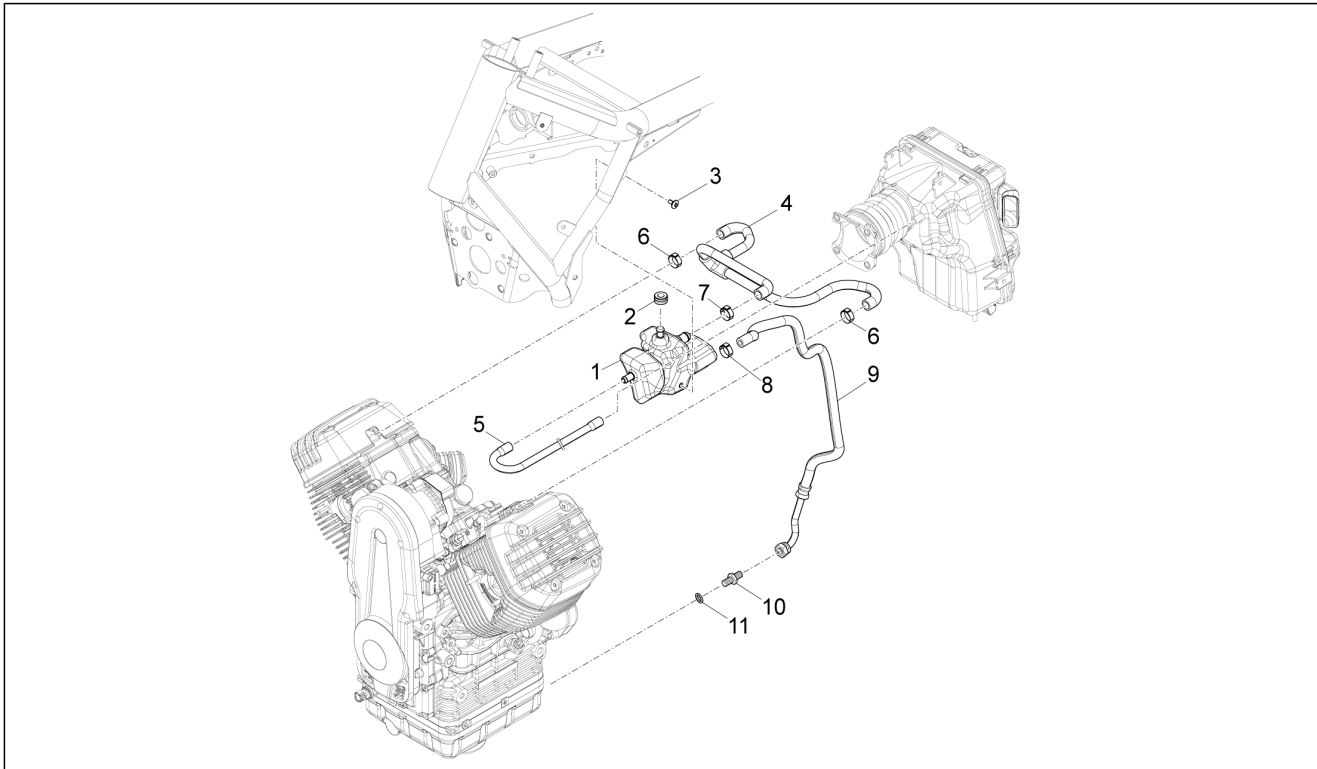
Pos.	Code	Description	Qty	Variants
1	887951	Pipe	1	
2	GU01154230	Gasket	2	
3	GU01161331	Reduction	2	
4	899064	O-ring	4	
5	874223	Bored screw	3	
6	976597	Copper gasket	6	
7	874669	Nipple	1	
8	976592	Gasket	1	
9	434947	O-ring 12,42x1	2	
10	874646	Oil pipe	1	
11	887950	Pipe	1	
12	641541	Oil pressure sensor	1	
13	AP9150472	Washer 10,5x17x1,5	1	
14	976681	RH Nozzle	1	
15	874238	O-ring	4	
16	976680	LH Nozzle	1	
17	621914	screw	5	
18	013763	Flat washer 4,2x12x1	3	

Group	Engine
Code	03.195
Description	Oil filters
Service	1



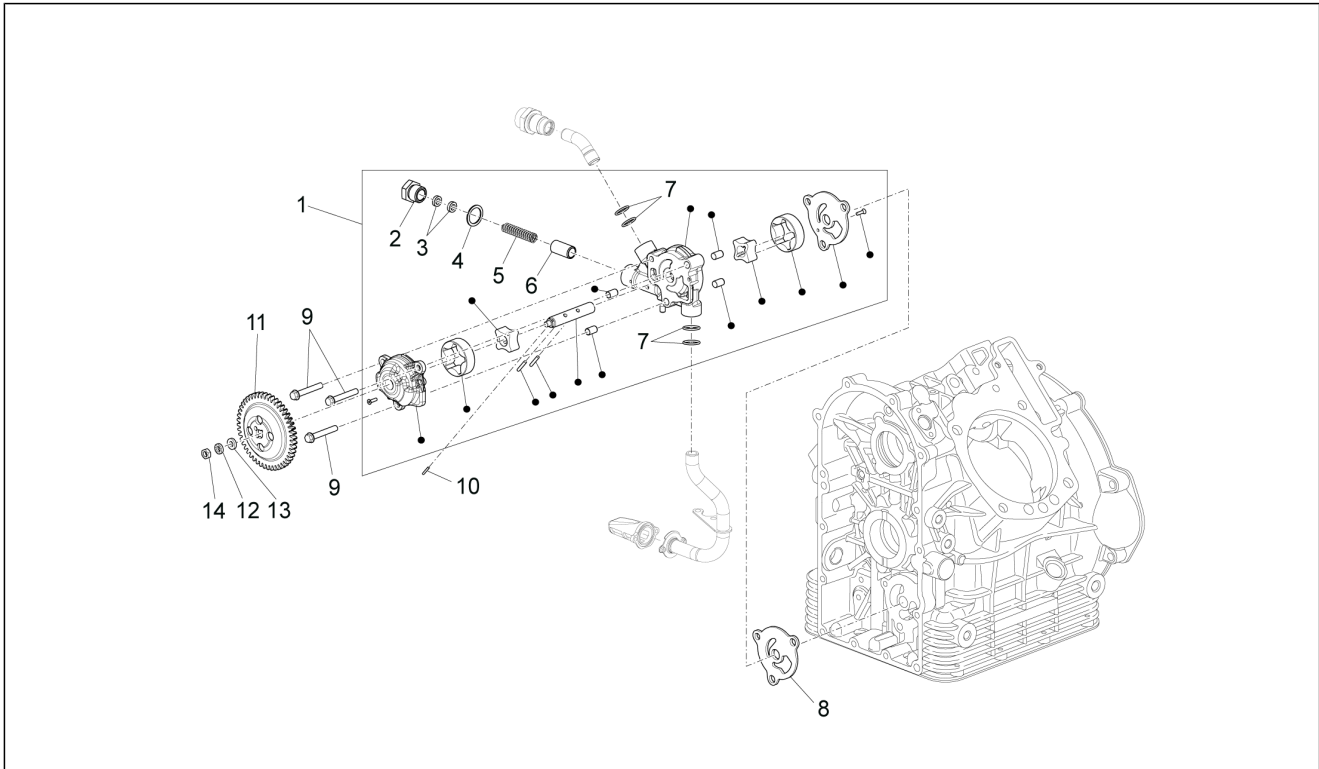
Pos.	Code	Description	Qty	Variants
1	2A000668	Oil filter	1	
2	829122	Oil filter union	1	
3	GU19152200	Oil filter	1	
4	GU95187006	Plate	1	
5	GU98084314	Hex screw M6x14	1	
6	B063274	Complete flange	1	
7	876486	Oil pressure adjusting valve	1	
8	224566	Washer	1	
9	B063934	Oil pipe	1	
10	B063942	O-ring 14x3	2	
11	B064018	Suction pipe	1	
12	874655	Intake oil filter	1	
13	969323	O-ring	1	
14	621914	screw	2	

Group	Engine
Code	03.196
Description	Blow-by system
Service	1



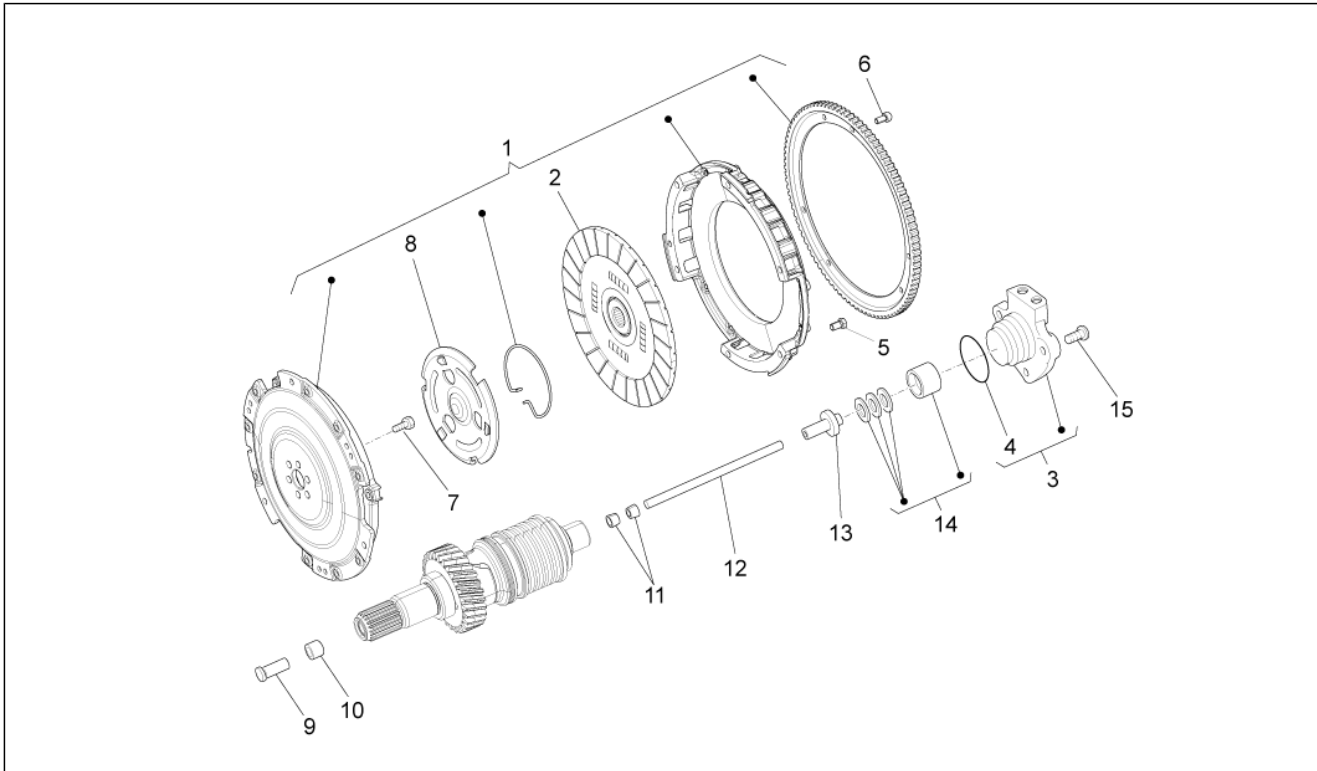
Pos.	Code	Description	Qty	Variants
1	887786	Blow-By tank	1	
2	AP8120030	Rubber spacer	1	
3	AP8150500	Hex socket screw M5x9	1	
4	B063620	3-way pipe	1	
5	B063778	Blow-by breather pipe	1	
6	CM001904	Hose clamp	2	
7	AP8102764	White hose clip d.13x6	1	
8	AP8102765	White hose clip D.13,5x6	1	
9	2B001407	Sump return pipe	1	
10	GU01161331	Reduction	1	
11	GU01154230	Gasket	1	

Group	Engine
Code	03.200
Description	Oil pump
Service	1



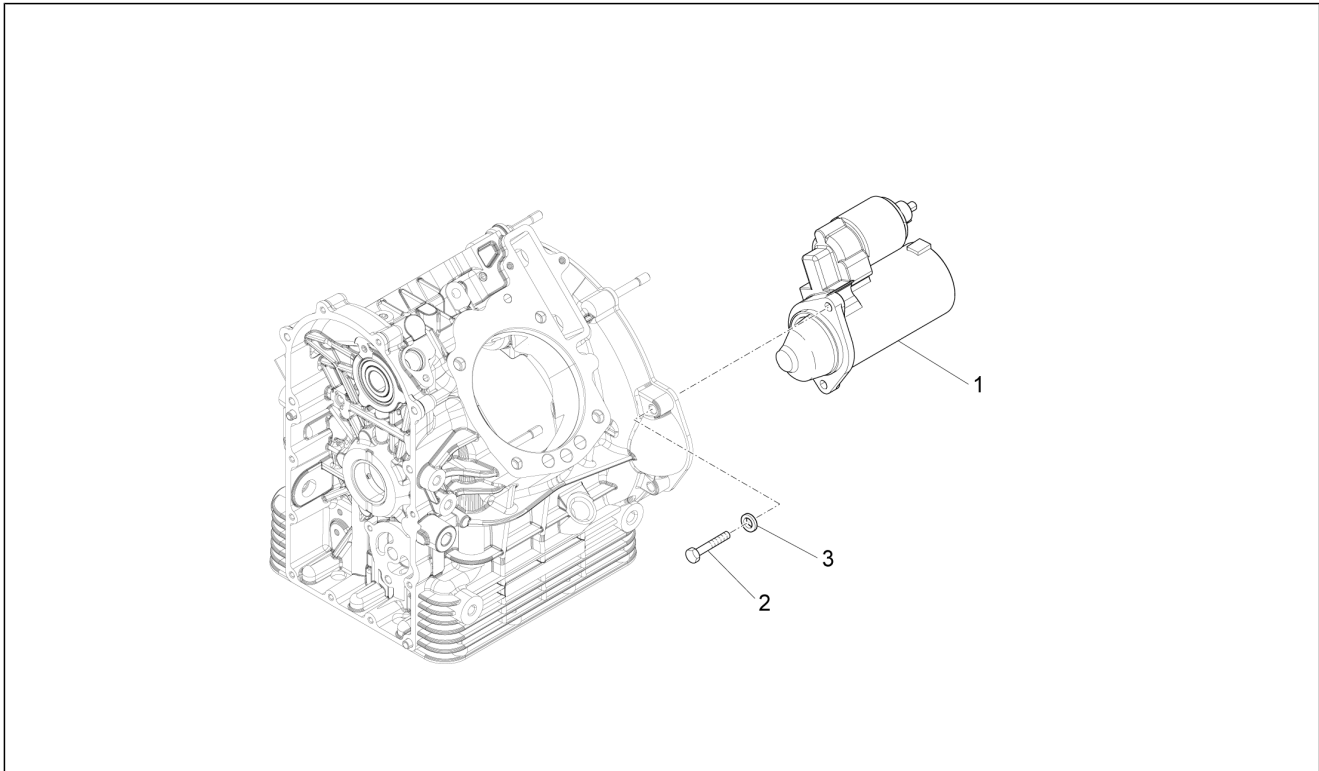
Pos.	Code	Description	Qty	Variants
1	8746505	Oil pump assy.	1	
2	GU31159050	Cover	1	
3	GU30158900	Washer	2	
4	GU18144350	Washer 18,25x24x1	1	
5	829486	Spring	1	
6	829661	Oil pressure valve	1	
7	237553	O-ring	4	
8	874482	Gasket	1	
9	414835	screw	3	
10	874801	Pin 2x13,8	1	
11	877101	Oil pump gear	1	
12	GU03013800	Washer 6,4x12	1	
13	GU95005306	Washer 6,4x13x1,5	1	
14	873906	Low nut	1	

Group	Engine
Code	03.230
Description	Clutch
Service	1



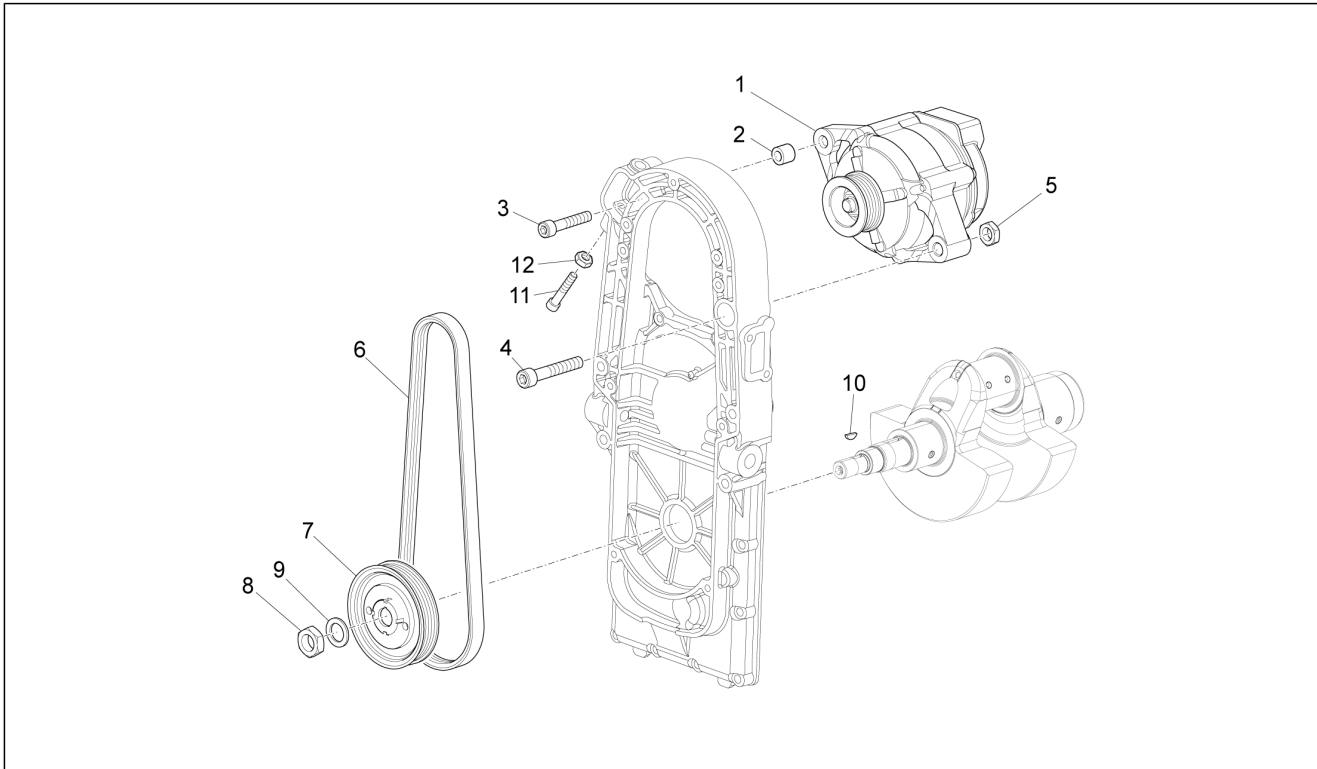
Pos.	Code	Description	Qty	Variants
1	2A000107	Clutch, assy.	1	
2	B064100	Clutch disc	1	
3	85220R	Clutch command cylinder	1	
4	B064271	Gasket ring	1	
5	976535	Hex socket screw M7x16	6	
6	884044	Hex socket screw M6x10	6	
7	976481	Screw w/ flange M8x25	6	
8	2A000072	Spring cap	1	
9	B013036	Clutch drive tapped	1	
10	976564	Bushing	1	
11	GU14085900	Bush	2	
12	976595	Rod L=mm186	1	Technical Specification: Three identification cuts[3T]
12	976596	Rod L=mm187,5	1	Technical Specification: Four identification cuts[4T]
12	976593	Rod L=mm183	1	Technical Specification: An identification cut[1T]
12	B0630111	Rod L=1,185mm	1	Technical Specification: Cinque tagli di identificazione[5T]
12	976594	Rod L=mm184,5	1	Technical Specification: Two identification cuts[2T]
12	B063012	Rod L= 185.5mm	1	Technical Specification: Sei tagli di identificazione[6T]
13	B013037	Clutch gear	1	
14	976696	Engine bearing set	1	
15	AP8152279	Screw w/ flange M6x20	3	

Group	Engine
Code	03.290
Description	Starter / Electric starter
Service	1



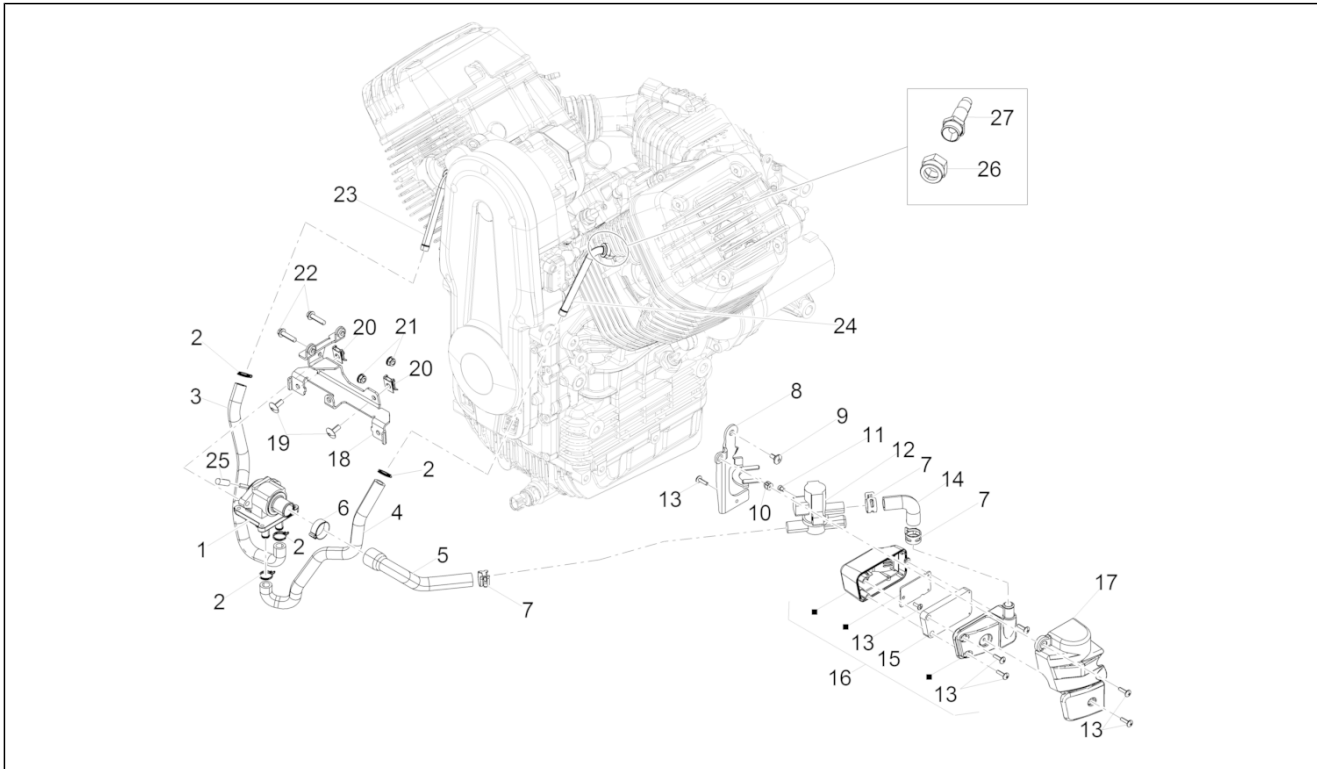
Pos.	Code	Description	Qty	Variants
1	97729R	Starter motor	1	
2	GU98082475	Hex screw M8x75	2	
3	GU95008208	Washer 8,4X15X1,5	2	

Group	Engine
Code	03.300
Description	Cdi magneto assy / Ignition unit
Service	1



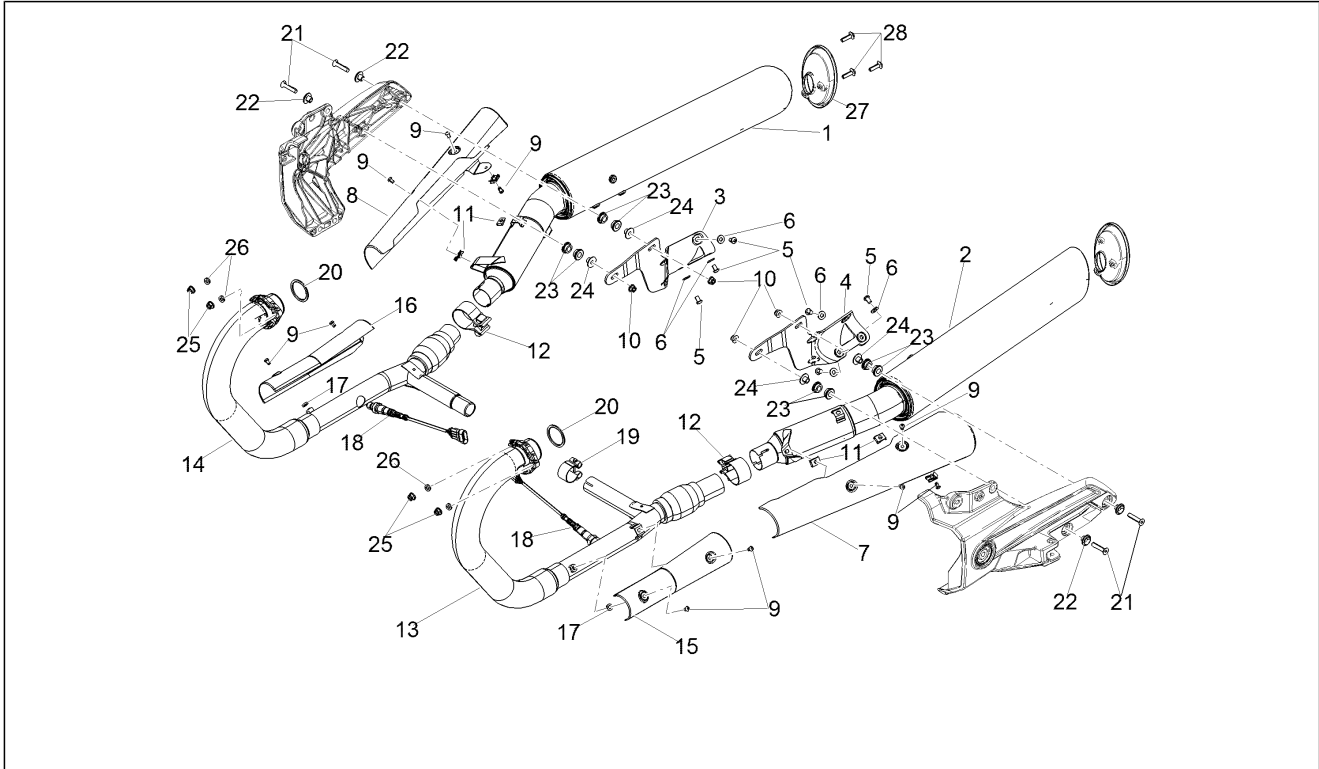
Pos.	Code	Description	Qty	Variants
1	886255	Generator	1	
2	GU91180823	Spacer 8,5x17x13	1	
3	GU98620445	Hex socket screw M8x45	1	
4	GU98620560	Hex socket screw M10x60	1	
5	GU92660012	Nut M10X1,5	1	
6	GU05702530	Belt	1	
7	2A000096	Generator lever pulley	1	
8	GU92606516	Nut M16	1	
9	GU30714201	Washer 16,25x24,5x5	1	
10	GU4FAN000030	Flywheel magneto key	1	
11	GU98230850	Hex socket screw M8x50	1	
12	GU92605408	Nut M8x1,25	1	

Group	Engine
Code	03.320
Description	Secondary air
Service	1



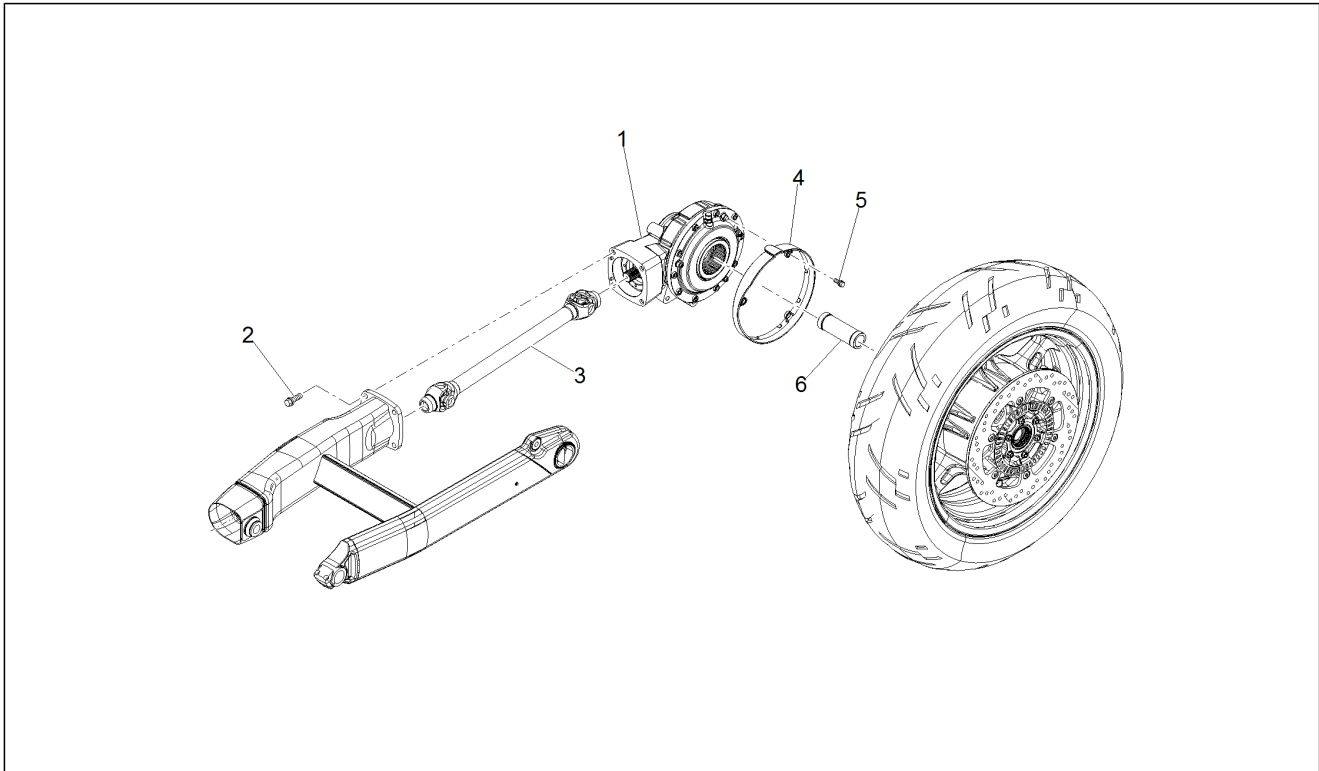
Pos.	Code	Description	Qty	Variants
1	855054	SAS valve	1	
2	AP8102766	Hose clamp	4	
3	2B002265	RH pipe "S.A.S."	1	
4	2B002266	LH pipe "S.A.S."	1	
5	2B002102	Air hose	1	
6	AP8101722	Hose clip D25x8,6	1	
7	CM226902	Spring clamp 19/12	3	
8	2B002289	Support bracket "S.A.S."	1	
9	AP8150500	Hex socket screw M5x9	1	
10	AP8102671	Plastic rivet	1	
11	AP8220488	Mushroom rubber	1	
12	857181	SAS valve	1	
13	AP8150512	Self-tap screw 3,3x16	6	
14	2B002101	"S.A.S." box pipe	1	
15	2B002314	Air filter	1	
16	2B002322	Secondary air box cpl.	1	
17	2B002262	Design cover	1	
18	2B002139	Valve support clamp "S.A.S."	1	
19	GU98370616	Hex socket screw M6x16 inox	2	
20	254485	Spring plate M6	2	
21	AP8152299	Self-locking nut M6	2	
22	AP8152280	Screw w/ flange M6x25	2	
23	2B002451	RH "S.A.S." metallic tube	1	
24	2B002082	LH "S.A.S." metallic tube	1	
25	487567	Cover	1	
26	855028	Nut	1	
27	2A000486	Secondary air system fitting	1	

Group	Engine
Code	03.330
Description	Exhaust pipe
Service	1



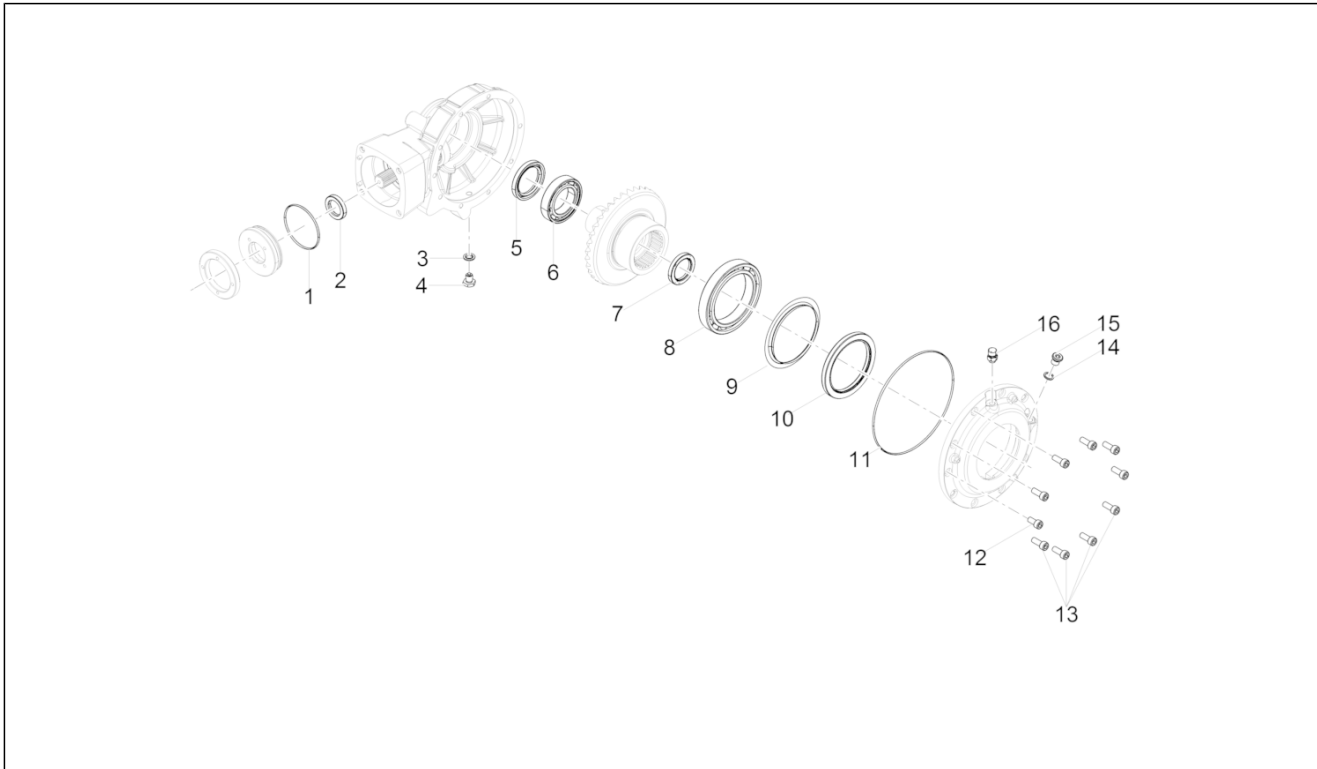
Pos.	Code	Description	Qty	Variants
1	2B0025445	RH silencer	1	
2	2B0025435	LH silencer	1	
3	2B002548	Right silencer support bracket	1	
4	2B002547	Left silencer support bracket	1	
5	AP8152055	Hex socket screw M8x12	6	
6	GU95008308	Washer	6	
7	2B0026065	Silencer sx protection	1	
8	2B0026075	Silencer dx protection	1	
9	2B002143	TBEI pre-impregnated screw M6x10	10	
10	AP8152300	Self-locking nut M8	4	
11	254485	Spring plate M6	6	
12	B063293	D.48 clamp	2	
13	2B003011	Left exhaust manifold	1	
14	2B003012	Right exhaust manifold	1	
15	2B0030075	LH heat protection	1	
16	2B0030085	RH heat protection	1	
17	876879	Spacer	2	
18	584344	Lambda sensor (L. 325 mm)	2	
19	B063292	D.37 clamp	1	
20	2B002217	Exhaust manifold gasket	2	
21	B063114	Coarse hexagonal countersunk screw	4	
22	887816	Bush	4	
23	AP8144558	Rubber spacer	8	
24	AP8121510	Bush	4	
25	GU92660021	Flanged nut M8	4	
26	GU14615901	Washer 8,4X13X0,8	4	
27	2B004087	Bottom	2	
28	651014	Hex socket screw M5x10	6	

Group	Engine
Code	03.340
Description	Transmission complete
Service	1



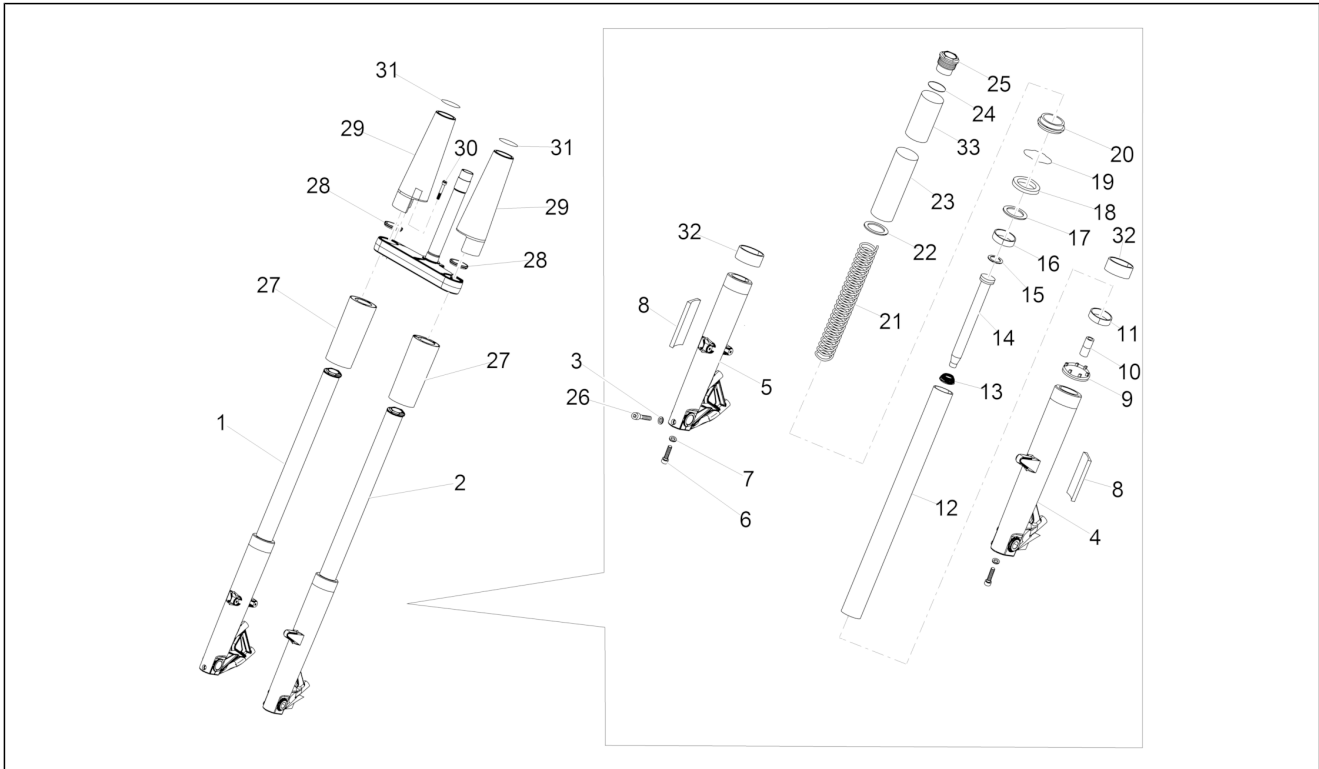
Pos.	Code	Description	Qty	Variants
1	2R000231	Transmission complete	1	
2	AP8152318	Screw w/ flange M10x35	4	
3	886968	Complete driving shaft	1	
4	887522	Guard	1	
5	AP8152272	Screw w/ flange M5x12	3	
6	887757	Internal spacer	1	

Group	Engine
Code	03.350
Description	Rear transmission / Components
Service	1



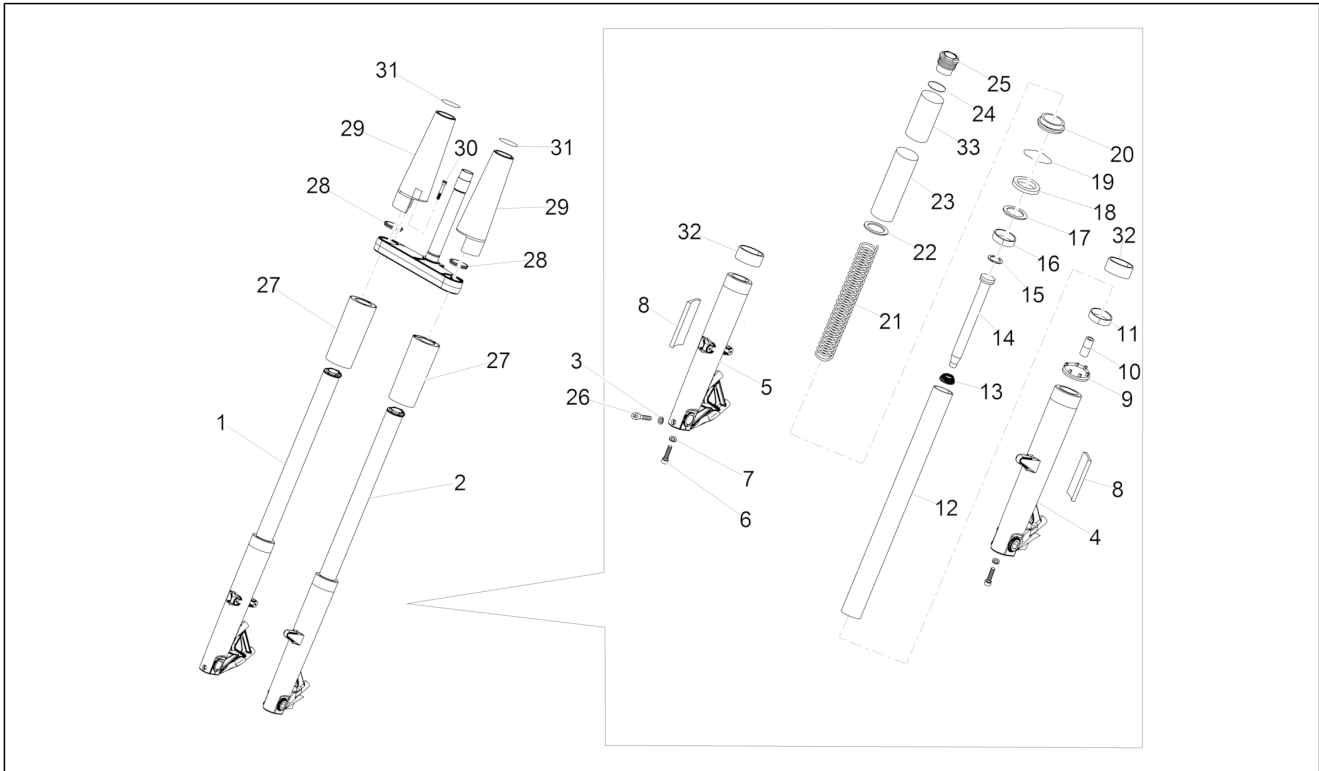
Pos.	Code	Description	Qty	Variants
1	B064032	Gasket ring OR3281 VITON FP75/80	1	
2	B064029	Gasket ring 25X40X7	1	
3	GU01528930	Gasket 10x18x1,5	1	
4	GU31003766	Oil unload plug M10x1	1	
5	B064031	***SEAL RING	1	
6	B064037	Ball bearing 45X75X16	1	
7	B064030	***SEAL RING	1	
8	GU92208518	Ball bearing 85x120x18	1	
9	B064041	Protection	1	
10	GU90408511	Gasket ring 85x110x8BASL	1	
11	B064119	Gasket ring OR 3675	1	
12	AP8150211	Hex socket screw M8x16	1	
13	AP8150169	Hex socket screw M8x20	9	
14	GU90718120	Washer	1	
15	GU05351230	Oil plug M12x1,5	1	
16	B064044	Breather plug	1	

Group	Suspensions
Code	04.060
Description	Front fork Kaifa
Service	1



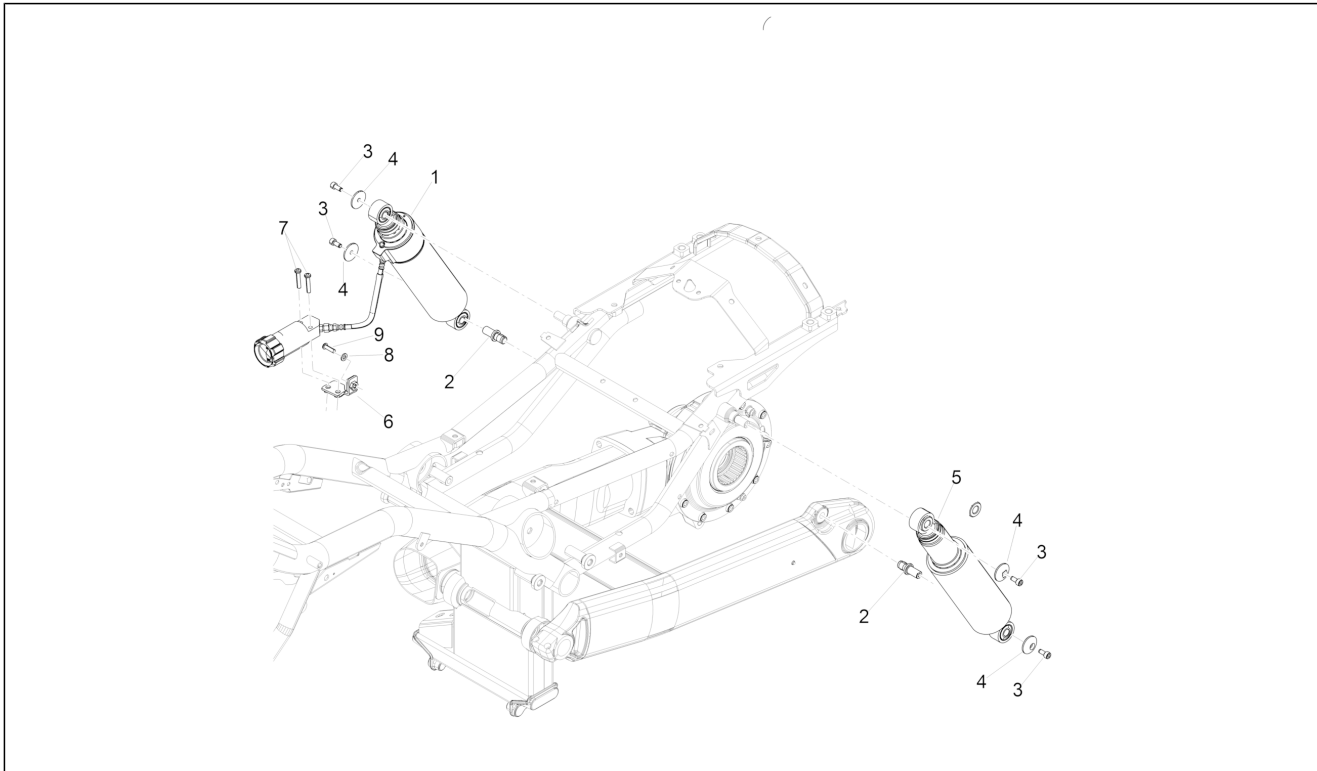
Pos.	Code	Description	Qty	Variants
1	2b002550	[...]	1	
2	2b002551	[...]	1	
3	GU95005308	Washer 8,4x14,57x1,6	1	
4	2B001633	LH slider	1	
5	2B001634	RH slider	1	
6	2B001627	Hex socket screw	2	
7	2B001630	Washer	2	
8	GU05781630	Reflector, amber	2	
9	2B002270	Pad	2	
10	AP8163526	Stroke limit stop	2	
11	AP8163530	Bush	2	
12	2B003522	Sleeve	2	
13	2B001631	Spring	2	
14	2B003523	Plunger	2	
15	AP8163518	Seating molla	2	
16	AP8163524	Coupling bush	2	
17	AP8163523	Ring	2	
18	AP8163522	Oil seal	2	
19	AP8163521	Stop ring	1	
20	AP8163520	Dust cover	2	
21	887892	Spring	2	
22	AP8163518	Seating molla	2	
23	2B003524	Preload tube	2	
24	AP8163516	O-ring	2	
25	2B003525	Fork tube cap	2	
26	GU98680445	Hex socket screw	1	
27	2B002964	Lower protection	2	
28	887586	Spacer	2	

Group	Suspensions
Code	04.060
Description	Front fork Kaifa
Service	1



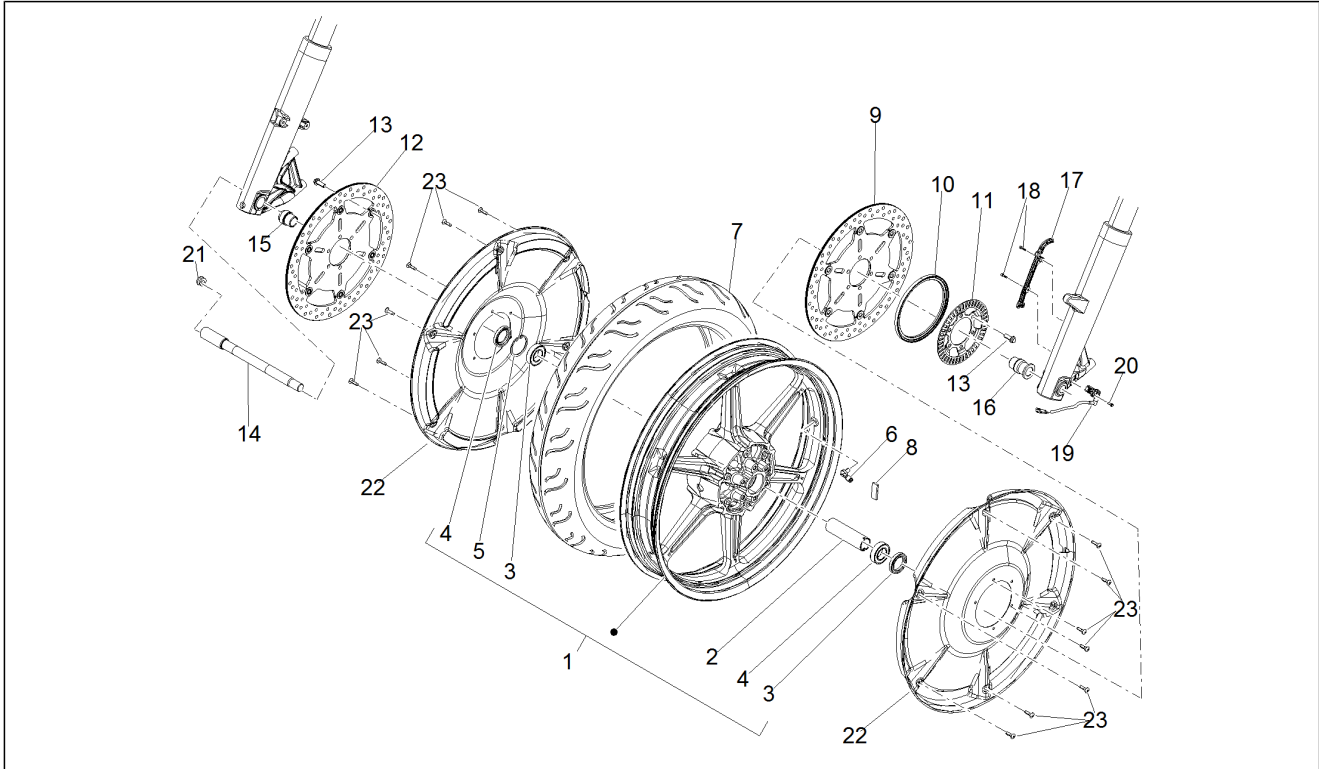
Pos.	Code	Description	Qty	Variants
29	2B002963	Upper protection	2	
30	GU98690245	Hex socket screw M5x45	4	
31	GU90706461	O-ring 46,04x3,53	2	
32	B064011	Ring	2	
33	2B003854	***SPACER	1	

Group	Suspensions
Code	04.080
Description	Shock absorber
Service	1



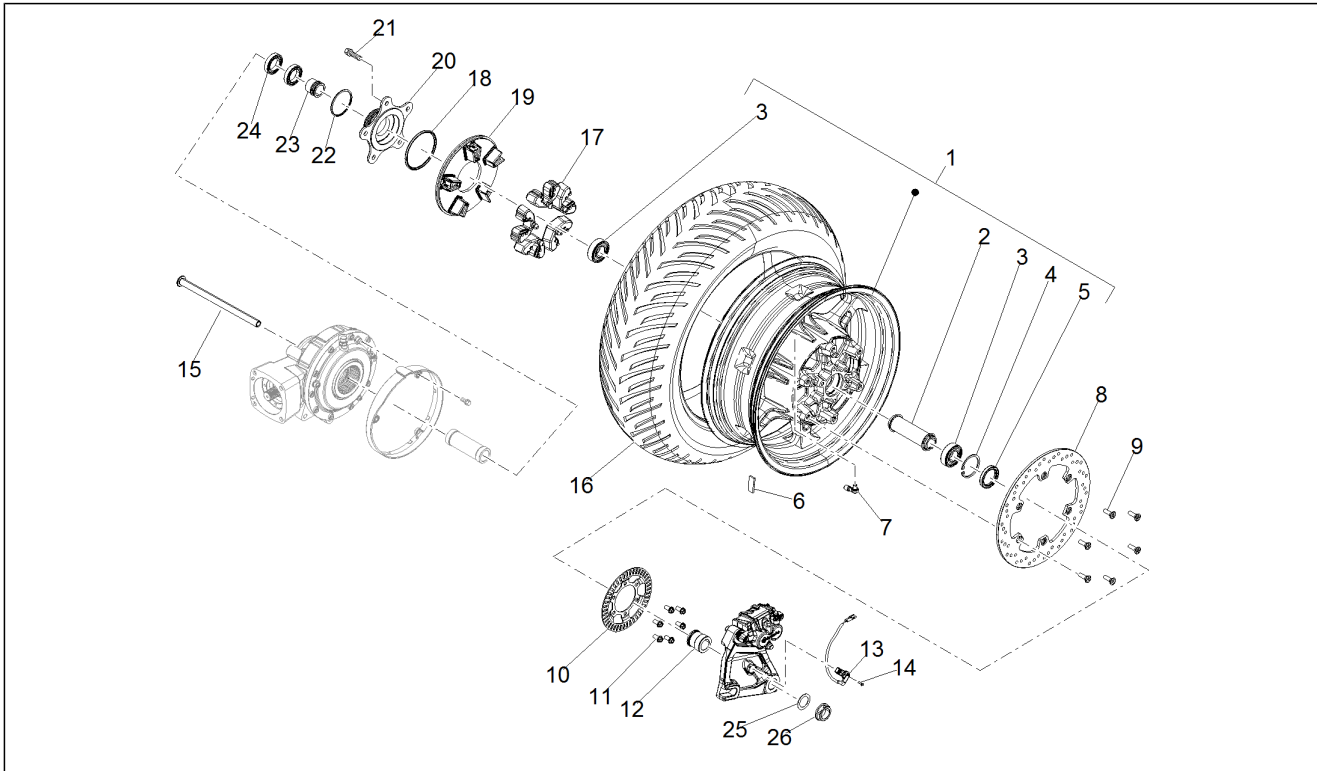
Pos.	Code	Description	Qty	Variants
1	2B002025	Right shock absorber	1	
2	B064264	Shock absorber pin	2	
3	884031	Hex socket screw M6x14	4	
4	2B000141	Bush	4	
5	2B002024	Left shock absorber	1	
6	2B002740	Support bracket	1	
7	AP8152128	Hex socket screw M6x30	2	
8	AP8150178	Washer 6,4x12,5*	1	
9	GU98230620	screw	1	

Group	Wheels
Code	05.010
Description	Front wheel
Service	1



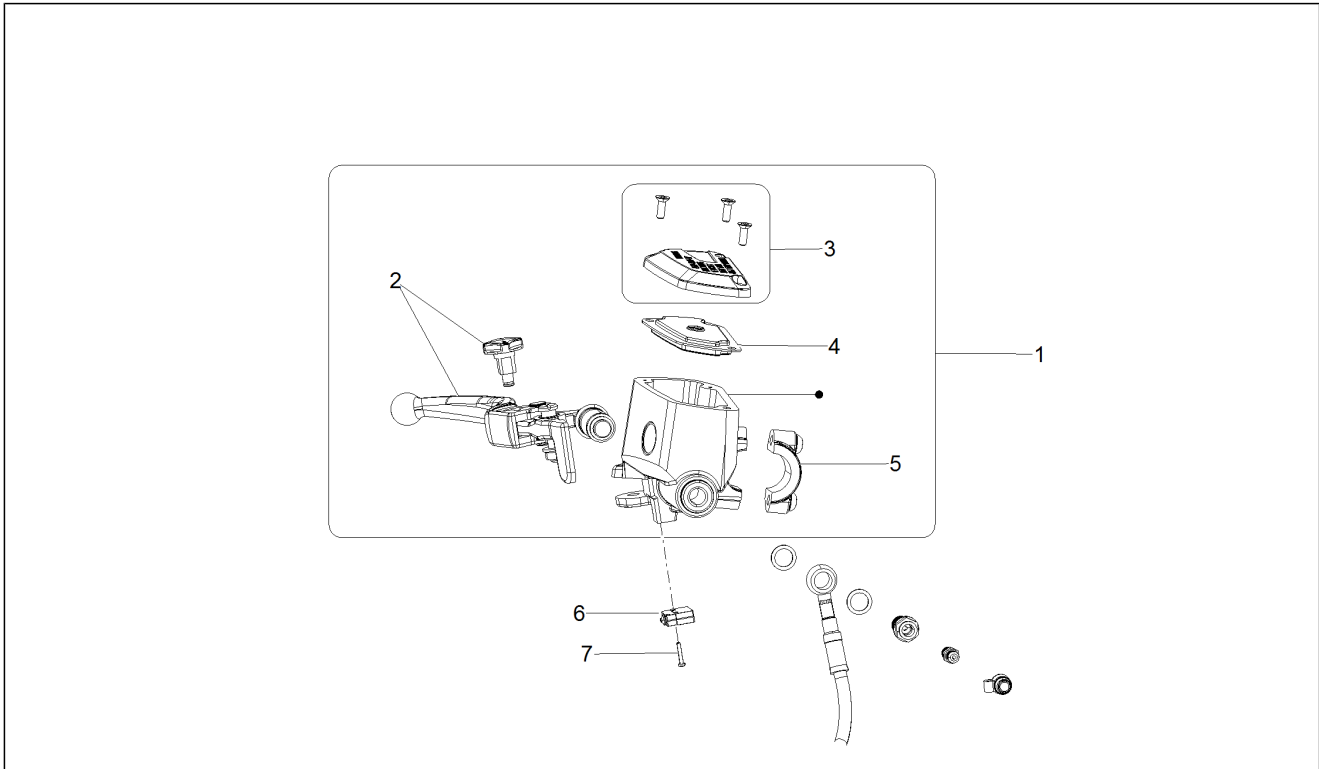
Pos.	Code	Description	Qty	Variants
1	2B002627	Front wheel rim with bearings	1	
2	887429	Front wheel ins.spacer	1	
3	AP8125841	Gasket ring 30x47x7	2	
4	AP8110094	Bearing 25x47x12	2	
5	AP8125842	Snap ring d47	1	
6	GU03617710	Tubeless tyre valve	1	
7	2B003080	Front tyre 120/70 R21	1	
8	GU14616150	Counterweight	1	
9	887430	Front brake disk SX	1	
10	B063440	Tone wheel protection	1	
11	887875	Phonic wheel	1	
12	887439	RH front brake disc	1	
13	2B002416	Screw w/ flange M8x20	12	
14	887566	Front wheel spindle	1	
15	887578	Right front wheel spacer	1	
16	887579	Front LH wheel spacer	1	
17	B044314	Front ABS sensor cable guide	1	
18	AP8152043	Hex socket screw M4x10	2	
19	859792	Sensor ABS	1	
20	AP8152273	Screw w/ flange M5x15	1	
21	GU93180111	Cover 15 mm	1	
22	2B002734	Wheel cap	2	
23	2B003307	TBEI pre-impregnated screw M5x20	24	

Group	Wheels
Code	05.020
Description	Rear wheel
Service	1



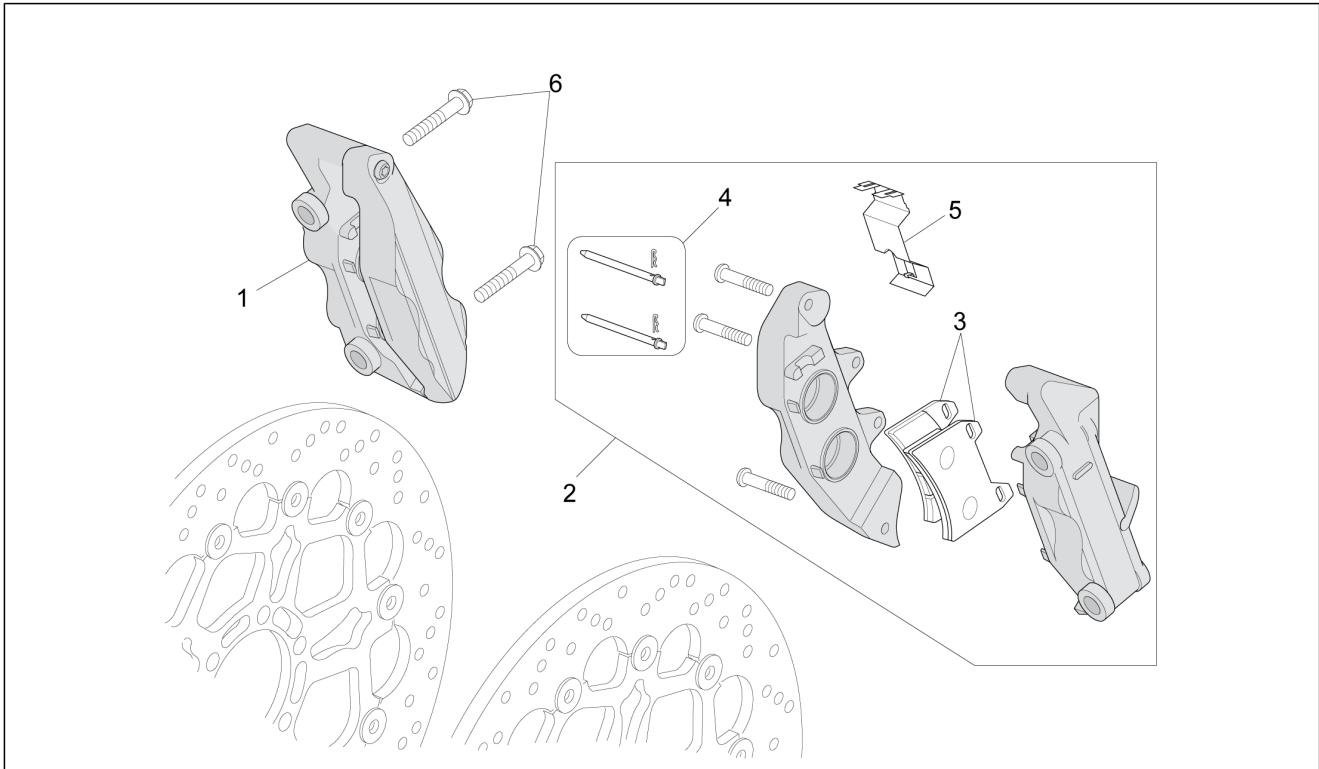
Pos.	Code	Description	Qty	Variants
1	2B002845	Rear wheel rim	1	
2	887530	Rear wheel spacer	1	
3	AP8110093	Bearing 6205-2rs1 25x52x15	2	
4	AP8125839	Snap ring d52	1	
5	AP8125838	Gasket ring 38x52x7	1	
6	GU14616150	Counterweight	1	
7	GU03617710	Tubeless tyre valve	1	
8	887489	Brake disc	1	
9	GU30611460	screw	6	
10	887875	Phonic wheel	1	
11	AP8152285	Screw w/ flange	6	
12	887495	Rear LH whe.ou.spacer	1	
13	859792	Sensor ABS	1	
14	AP8152273	Screw w/ flange M5x15	1	
15	886967	Rear wheel spindle	1	
16	2B003079	Rear tyre 180/60 R16	1	
17	B064290	Spring drive rubber	5	
18	GU90706664	O-ring 66,40x1,78	1	
19	887311	Flexible coupling disc	1	
20	2B000090	Flange	1	
21	B063849	Screw w/ flange M10x30	5	
22	887518	O-ring 56,74x3,53	1	
23	887461	Spring drive spacer	1	
24	887517	Ball bearing 30x47x9	2	
25	GU95005325	Washer 25,2X36X1	1	
26	AP8152324	Wheel spindle nut M25x1,5	1	

Group	Brake system
Code	06.010
Description	Front master cilinder
Service	1



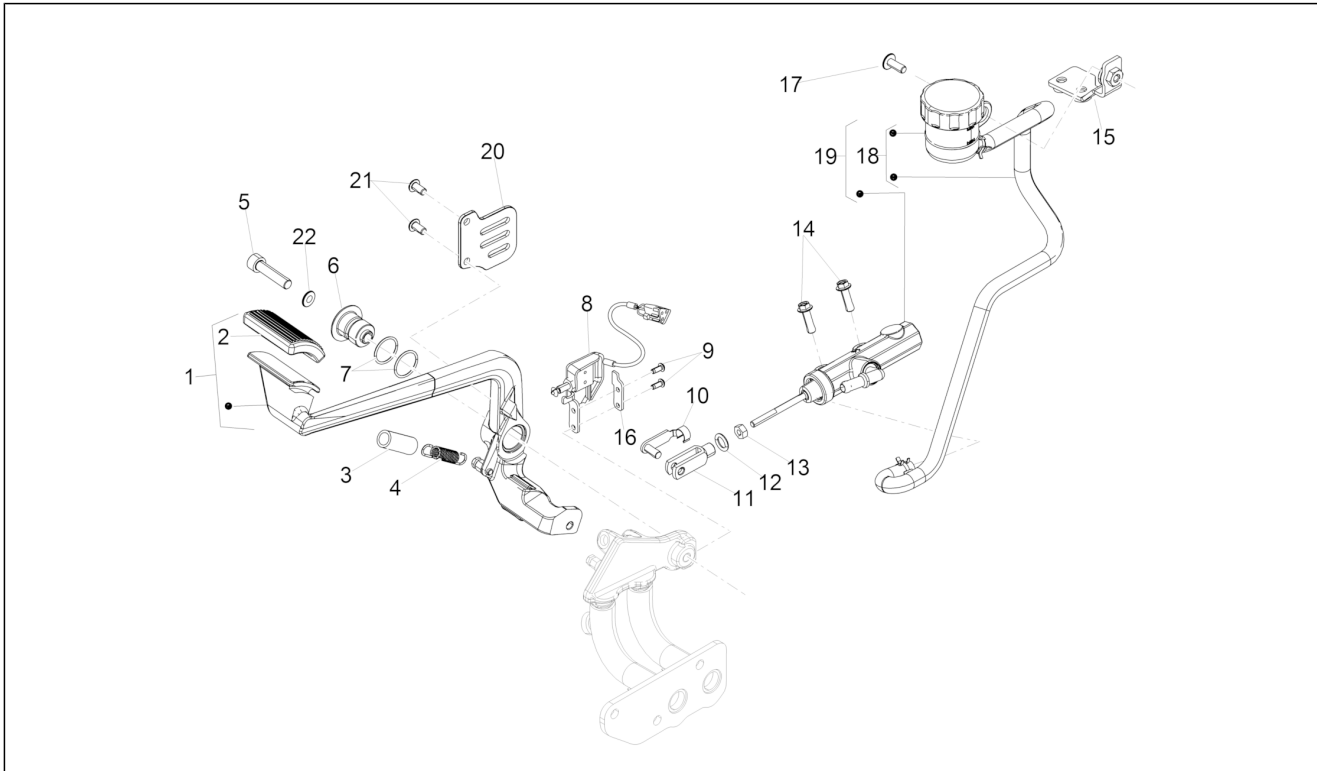
Pos.	Code	Description	Qty	Variants
1	887764	ABS front brake pump	1	
2	856048	Brake lever	1	
3	B064105	Complete cover	1	
4	858423	Diaphragm	1	
5	856050	U-bolt	1	
6	887627	Brake switch diagnosable	1	
7	654174	Special cap screw M2x12*	2	

Group	Brake system
Code	06.020
Description	Front brake caliper
Service	1



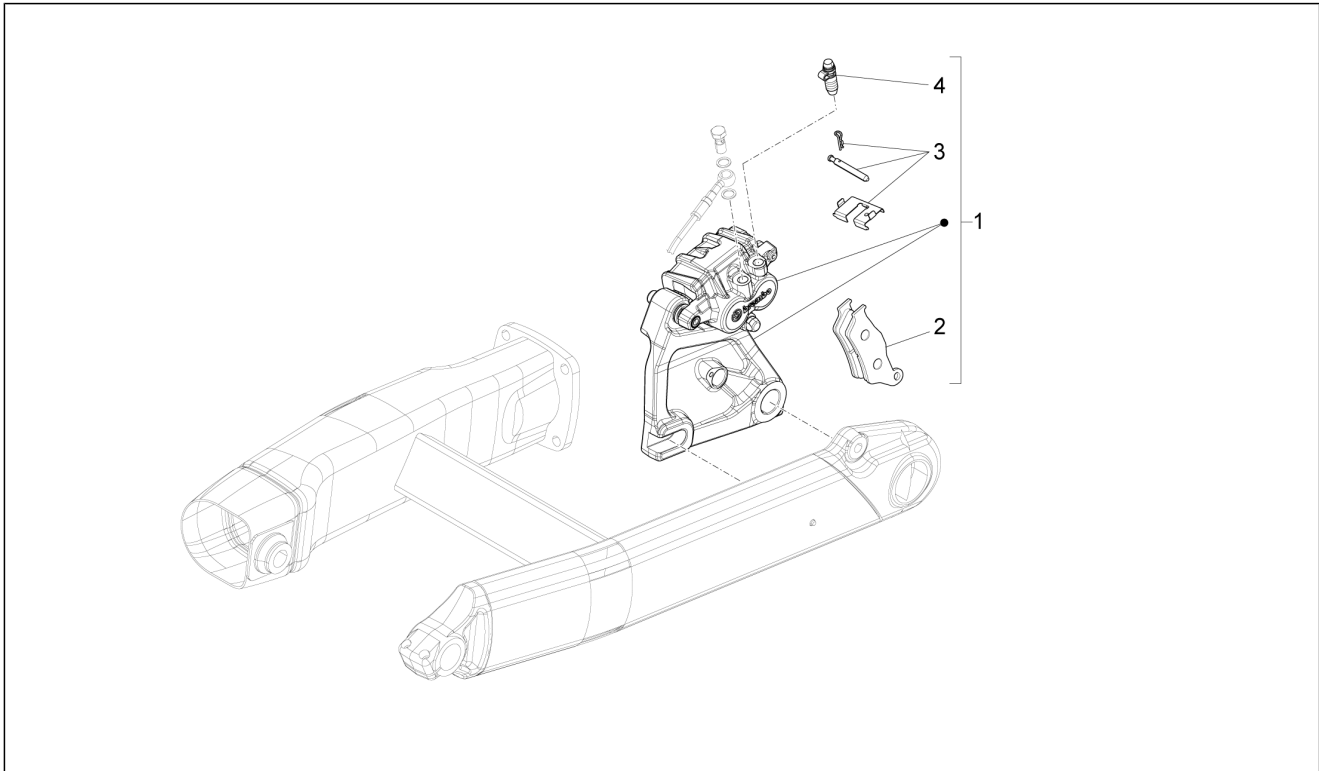
Pos.	Code	Description	Qty	Variants
1	2B002690	RH front brake caliper	1	
2	2B002689	LH front brake caliper	1	
3	AP8133614	Pads pair	2	
4	GU01659130	Pins+Caliper springs	2	
5	GU01659131	Spring	2	
6	AP8152414	Screw w/ flange M10x55	4	

Group	Brake system
Code	06.030
Description	Rear master cylinder
Service	1



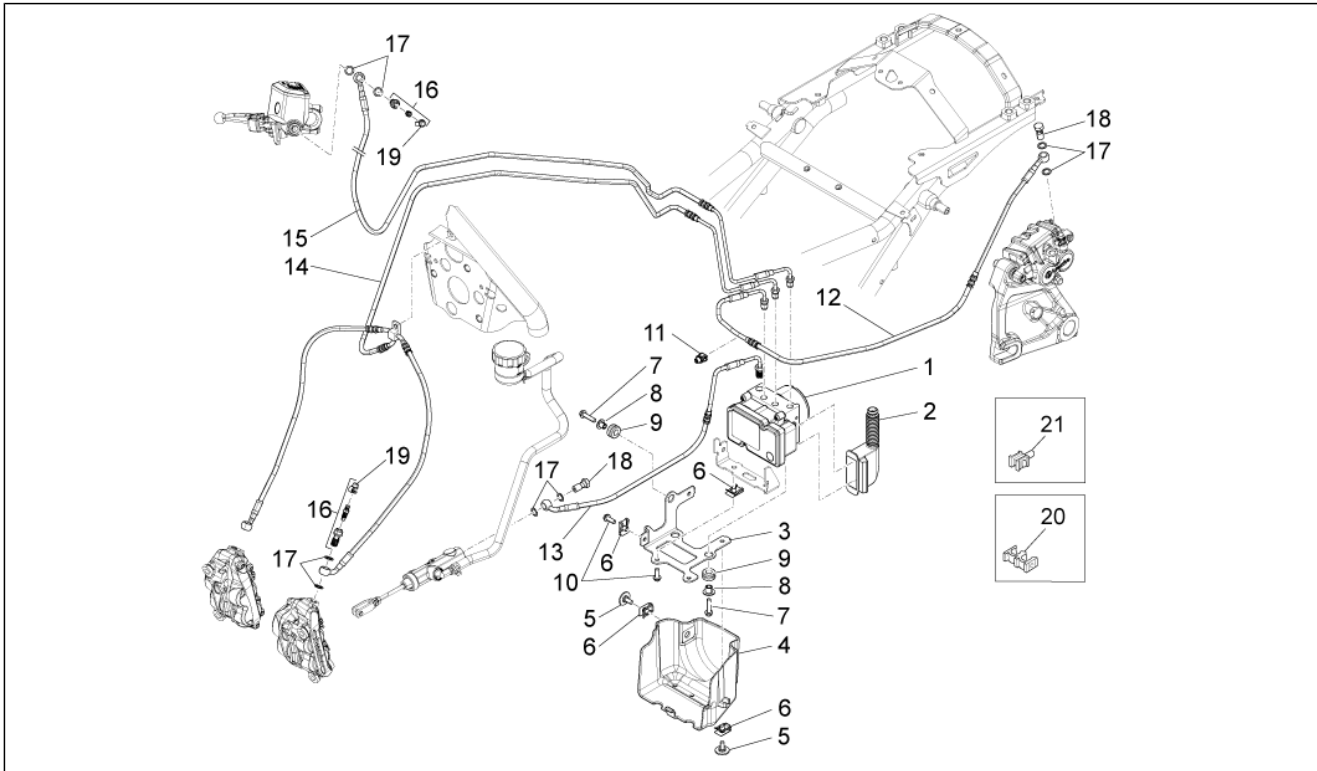
Pos.	Code	Description	Qty	Variants
1	2B000473	Complete rear brake lever	1	
2	GU43262180	Rubber pedal	1	
3	AP8120822	Silent block, spring	1	
4	AP8121927	Rear brake lever spring	1	
5	AP8150543	Screw M8x35	1	
6	2B001747	Fastening bushing	1	
7	288474	O-ring 20,35x1,78	2	
8	2B001944	Stop switch	1	
9	2B002146	TBEI pre-impregnated screw M4x12	2	
10	AP8201301	Gear selector fork clips	1	
11	AP8101968	Fork	1	
12	AP8120178	O-ring OR112	1	
13	GU92606206	Nut	1	
14	AP8152279	Screw w/ flange M6x20	2	
15	2B002740	Support bracket	2	
16	2B002457	Reinforcement plate	1	
17	GU98210616	Screw w/ flange M6x16 inox	1	
18	2B002534	Brake oil tank complete	1	
19	2B001601	Rear master cylinder	1	
20	2B002480	RH heel guard	1	
21	AP8150538	Hex socket screw M5x10	2	
22	AP8152154	Washer 8,4x13*	1	

Group	Brake system
Code	06.040
Description	Rear brake caliper
Service	1



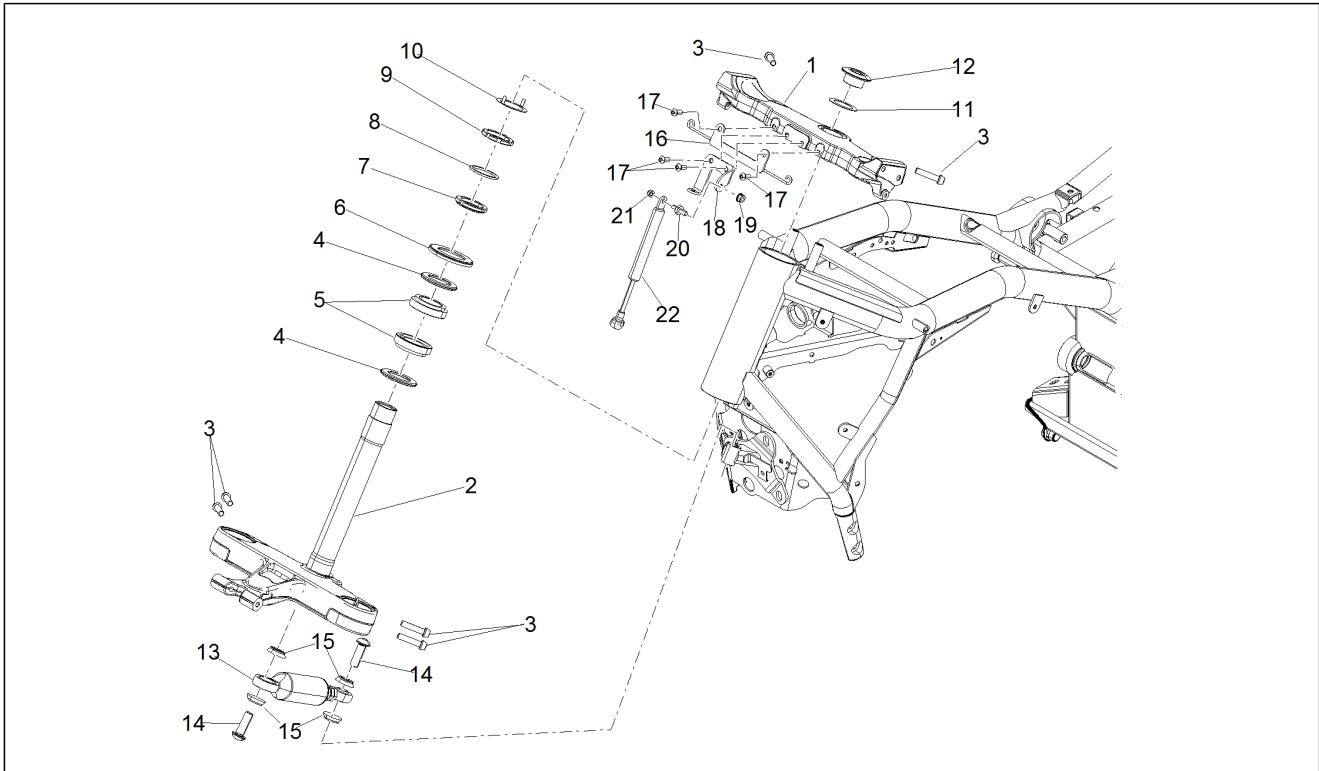
Pos.	Code	Description	Qty	Variants
1	887490	Rear brake caliper	1	
2	GU30654626	Pads pair	1	
3	B064120	Pins+spring kit	1	
4	AP8113755	Air bleed valve	1	

Group	Brake system
Code	06.050
Description	ABS Brake system
Service	1



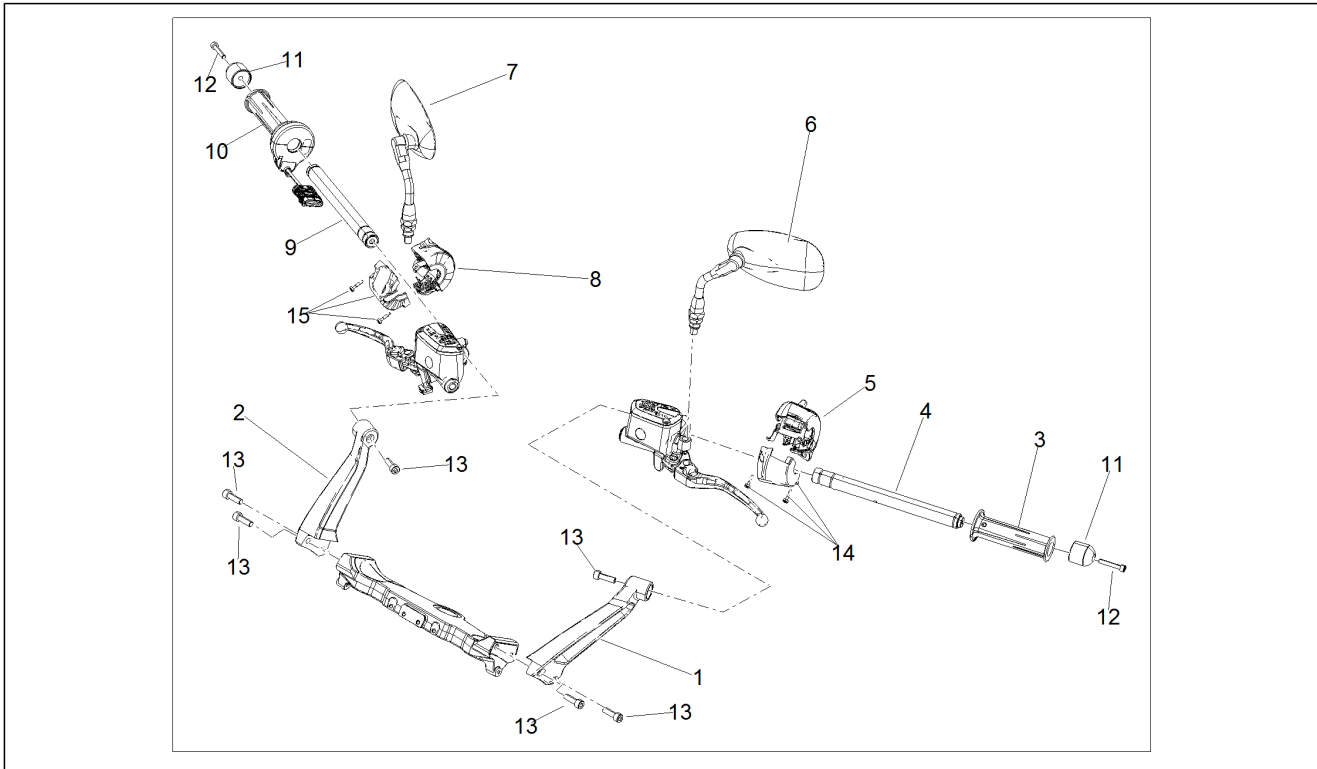
Pos.	Code	Description	Qty	Variants
1	2D000193	ECU ABS Cluster	1	
2	860746	Insulating cap	1	
3	B063211	ABS control unit support plate	1	
4	887798	ABS lower cover	1	
5	976591	Special screw	2	
6	254485	Spring plate M6	5	
7	AP8152280	Screw w/ flange M6x25	3	
8	AP8221023	T bush	3	
9	AP8120030	Rubber spacer	3	
10	AP8152278	Screw w/ flange M6x16	3	
11	AP8121882	Cable-guide	1	
12	887585	ABS control unit rear clamp pipe	1	
13	2B001599	ABS control unit rear pump pipe	1	
14	887583	ABS control unit front clamp pipe	1	
15	2B000089	ABS control unit front pump pipe	1	
16	AP8133945	Bleeder kit	3	
17	AP8113004	Washer 10x14x1,6*	10	
18	AP8113003	Oil pipe screw	2	
19	AP8113070	Bleed valve cap	2	
20	AP8201808	Cable-guide D8	2	
21	AP8202238	Cable-guide hook	2	

Group	Handlebar - Controls
Code	07.010
Description	Steering
Service	1



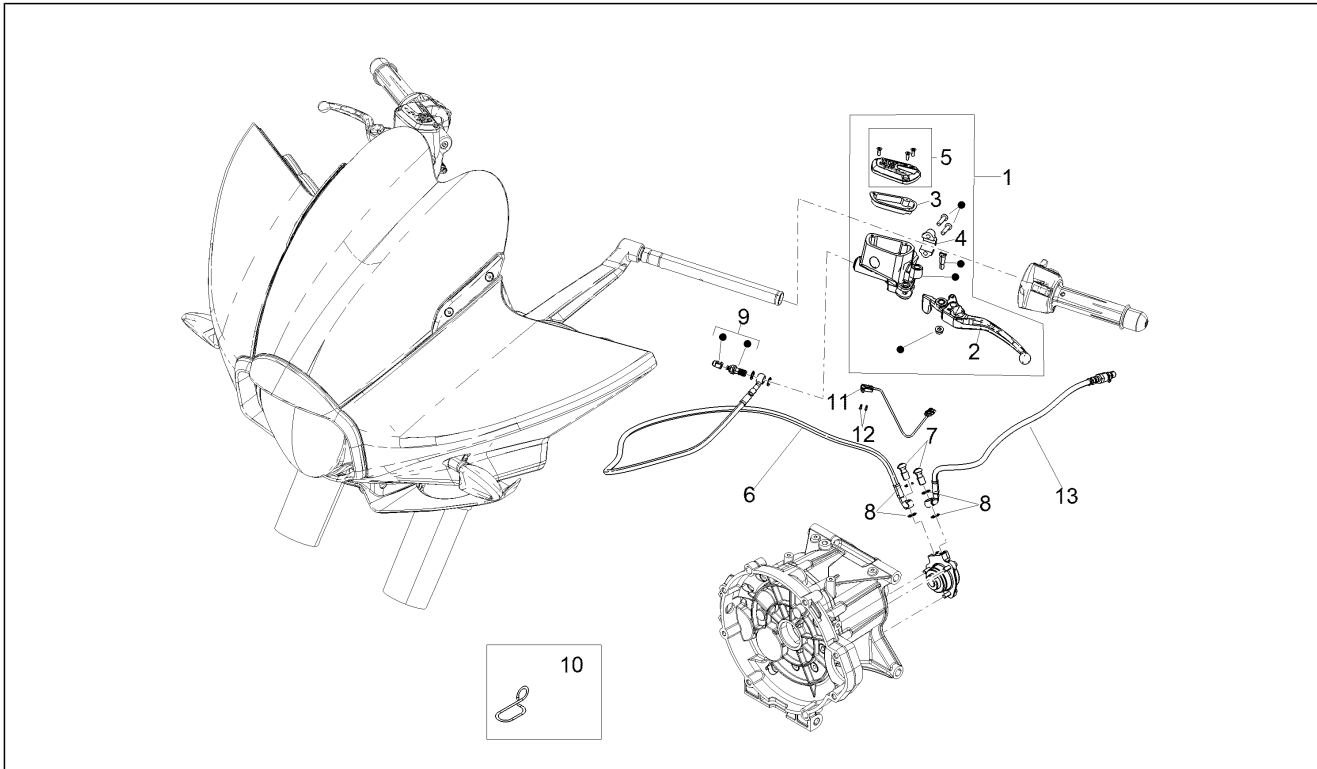
Pos.	Code	Description	Qty	Variants
1	2B001666	Upper plate	1	
2	2B001667	Fork lower plate	1	
3	AP8150543	Screw M8x35	6	
4	AP8123641	Dust cover ring	2	
5	AP8110077	Axial ball bearing	2	
6	AP8123644	Dust cover ring	1	
7	AP8123642	Ring nut	1	
8	887831	Rubber spacer	1	
9	AP8123643	Return ring nut	1	
10	887832	Steering security plate	1	
11	AP8152384	Stem plug washer	1	
12	AP8121205	Upper plate fixing bush	1	
13	2B002848	***STEERING SPRING AID	1	
14	AP8152325	Screw w/ flange	2	
15	2B003341	***BALL JOINT PROTECTION	4	
16	2B003333	Plate	1	
17	AP8152108	Hex socket screw	4	
18	2B002792	Fixing plate	1	
19	AP8152299	Self-locking nut M6	1	
20	2B002803	Threaded pin	1	
21	AP8152306	Self-locking nut M5	1	
22	851922	Helmet compartment damper	1	

Group	Handlebar - Controls
Code	07.020
Description	Handlebar - Controls
Service	1



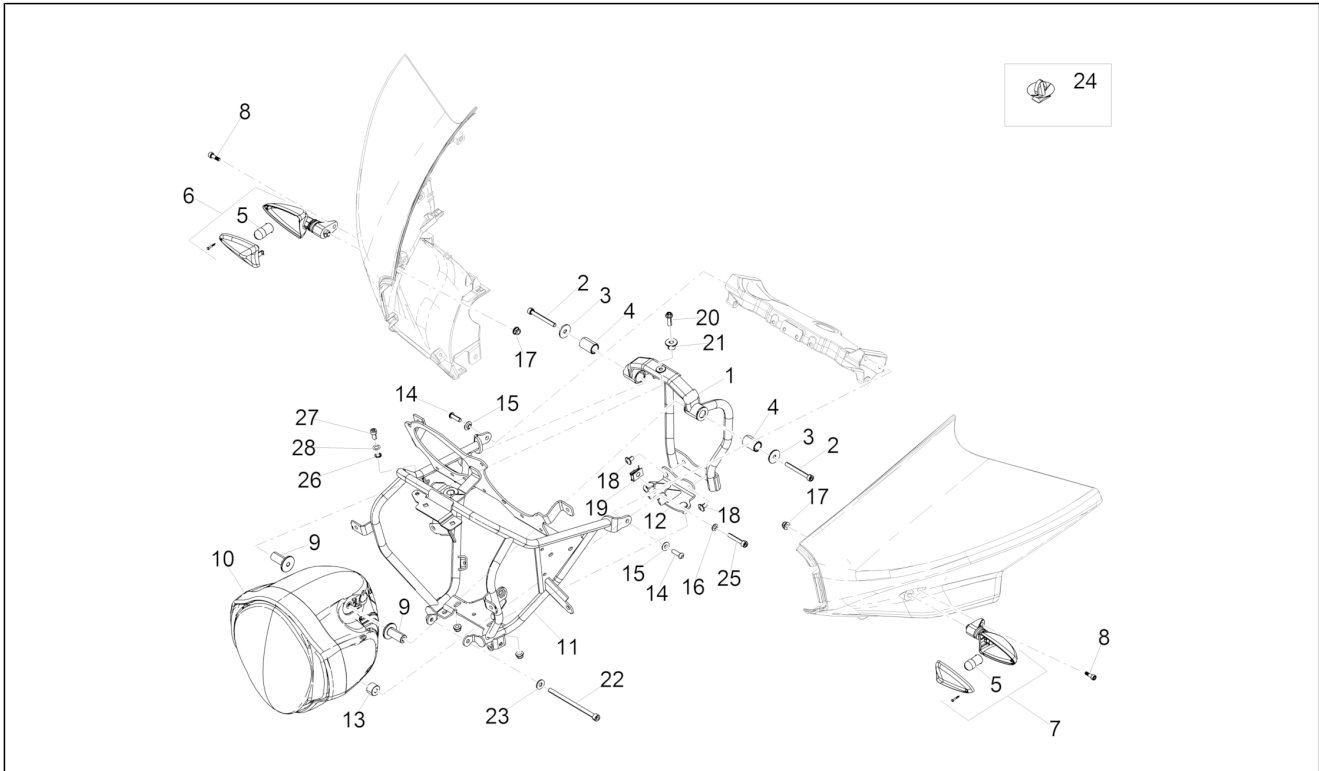
Pos.	Code	Description	Qty	Variants
1	2B002685	Left half handlebar	1	
2	2B002686	Right half handlebar	1	
3	2B002488	LH hand grip	1	
4	2B002703	Left half handlebar	1	
5	2D000228	M13100 LH handlebar control set, preassembled	1	
6	2B001691	LH rearview mirror	1	
7	2B001690	RH rearview mirror	1	
8	2D000229	RH handlebar control set	1	
9	2B002704	Handlebars, half	1	
10	2D000237	Electric Pulse	1	
11	AP8104509	Anti.v weight, black	2	
12	GU98610335	Hex socket screw	2	
13	GU98692425	Hex socket screw M8x25	6	
14	2D000218	Lower shell SX	1	
15	2D000163	Lower shell DX	1	

Group	Handlebar - Controls
Code	07.030
Description	Clutch control
Service	1



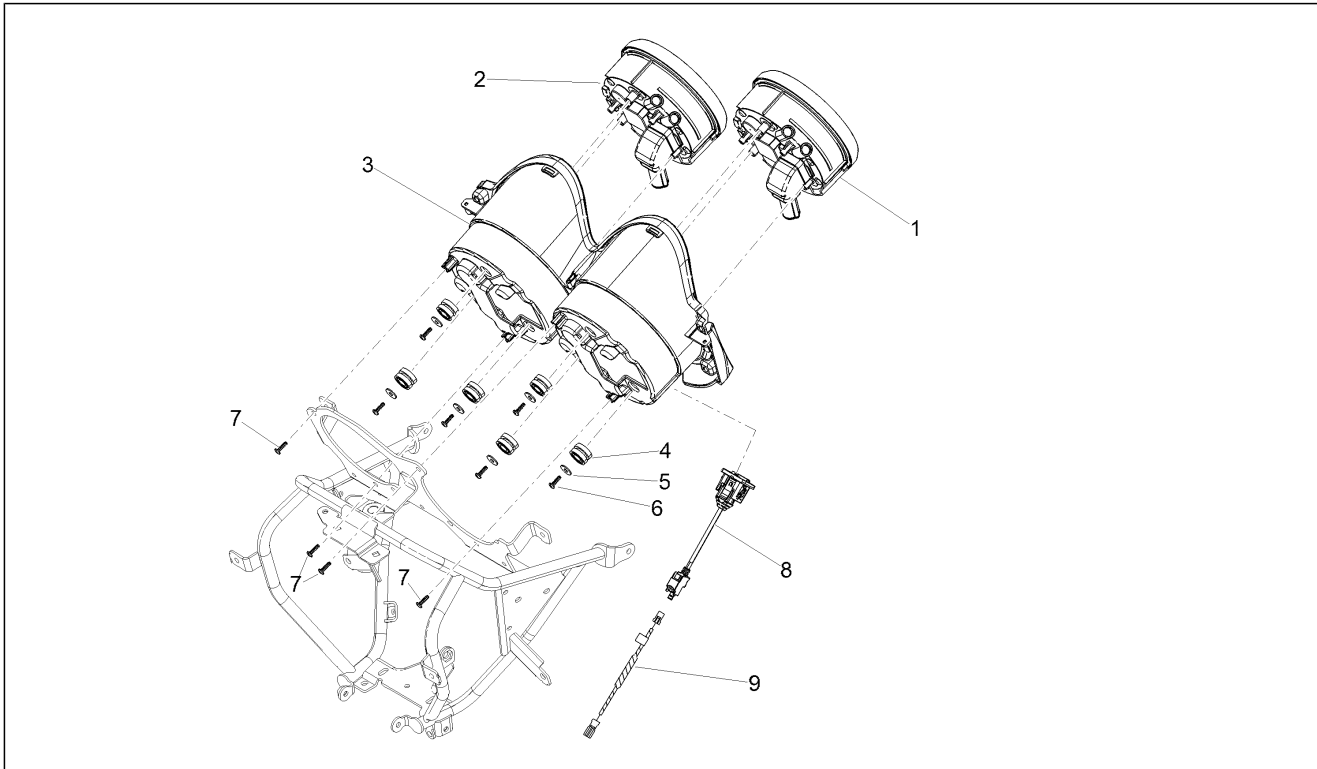
Pos.	Code	Description	Qty	Variants
1	887550	Clutch pump	1	
2	B064265	Clutch lever	1	
3	858424	Diaphragm	1	
4	856050	U-bolt	1	
5	B064106	Pump cover	1	
6	B063310	Clutch pipe	1	
7	AP8121409	Oil pipe screw	2	
8	AP8113004	Washer 10x14x1,6*	6	
9	AP8133945	Bleeder kit	1	
10	AP8120416	Black hose 180x4,5	1	
11	887629	Diagnosable clutch switch	1	
12	654174	Special cap screw M2x12*	2	
13	887339	Float chambe clutch pipe	1	

Group	Lights - Instruments
Code	08.010
Description	Front lights
Service	1



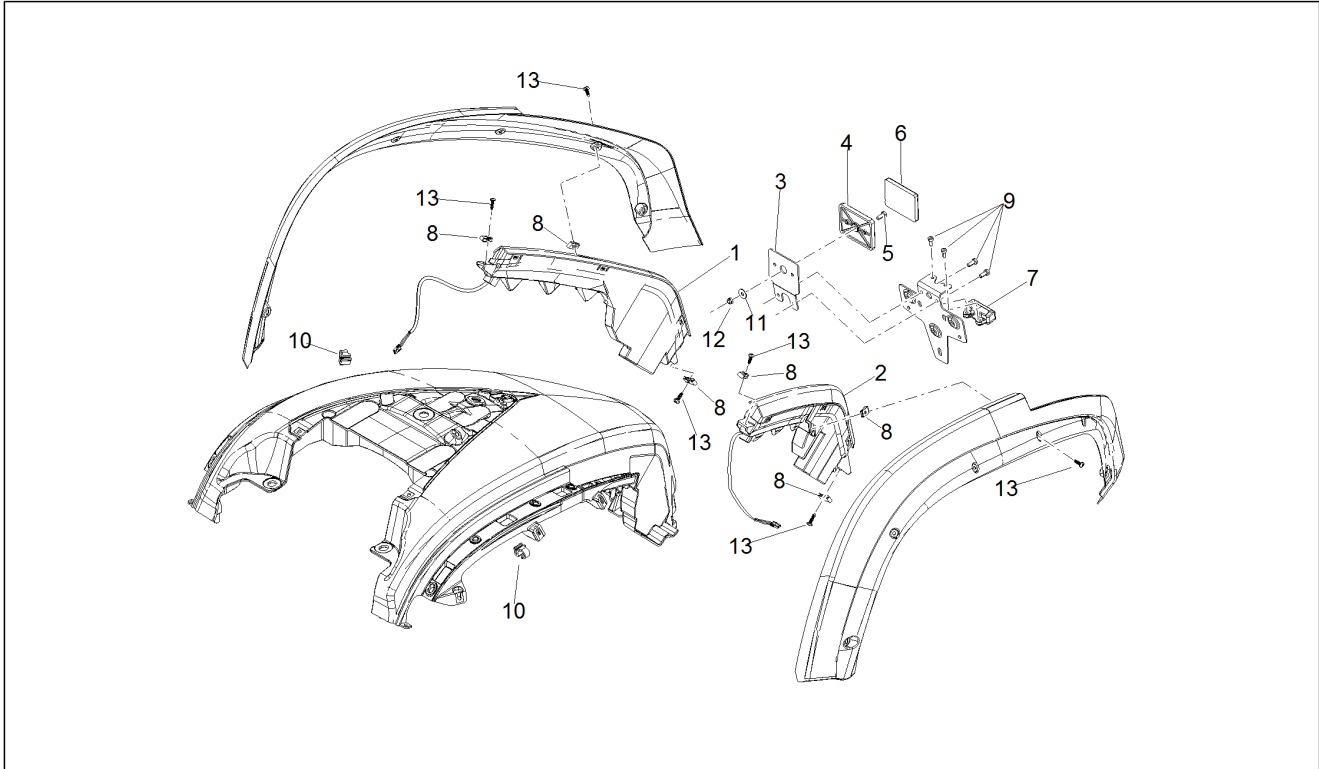
Pos.	Code	Description	Qty	Variants
1	2B002717	Not available	1	
2	AP8150045	Hex socket screw M6x55	2	
3	AP8150016	Washer 6,6x18x1,6	2	
4	2B002790	Bush	2	
5	AP8127489	Lamp RY10W 12V	2	
6	854555	RH front turn indicator	1	
7	854556	LH front turn indicator	1	
8	GU98230619	Hex socket screw	2	
9	2B002791	Headlight bush	2	
10	887453	Headlight	1	
11	2B002746	Front frame	1	
12	2B002725	Lower plate	1	
13	2B002608	Bush	1	
14	AP8224470	Hex socket screw M6x20	2	
15	AP8121032	Bush	2	
16	GU95008306	Washer 6,4x12x1,2	1	
17	AP8152299	Self-locking nut M6	2	
18	2B002187	Hex socket screw M6x10	2	
19	254485	Spring plate M6	1	
20	AP8152279	Screw w/ flange M6x20	1	
21	AP8121679	T bush *	1	
22	478171	Hex socket screw M6x100	1	
23	AP8152181	Washer 6,4x15x1	1	
24	890760	Instrument support	8	
25	AP8150285	Hex socket screw M6x35	1	
26	AP8150021	Ext. notched washer	1	
27	AP8152040	Hex socket screw	1	
28	GU03013800	Washer 6,4x12	1	

Group	Lights - Instruments
Code	08.020
Description	Instruments
Service	1



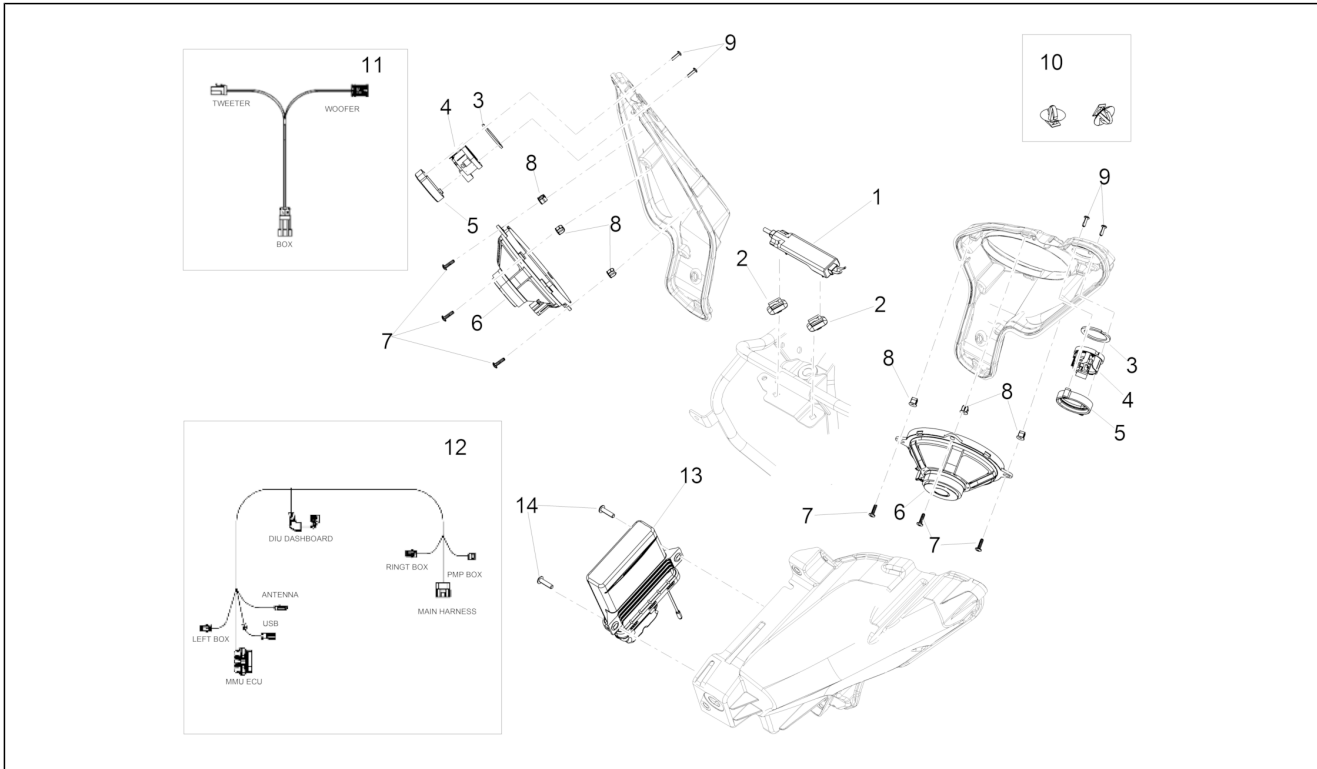
Pos.	Code	Description	Qty	Variants
1	2D000119	Instrument panel	1	
2	2D000248	Dashboard	1	
3	2B002646000YN5	Instrument support	1	
4	AP8144662	Rubber spacer	6	
5	AP8150382	Washer 15x5,5X1,2	6	
6	AP8150413	Self-tap screw 3,9x14	6	
7	AP8150413	Self-tap screw 3,9x14	3	
8	2D000241	USB port	1	
9	2D000349	Resistive interface USB	1	

Group	Lights - Instruments
Code	08.030
Description	Rear lights
Service	1



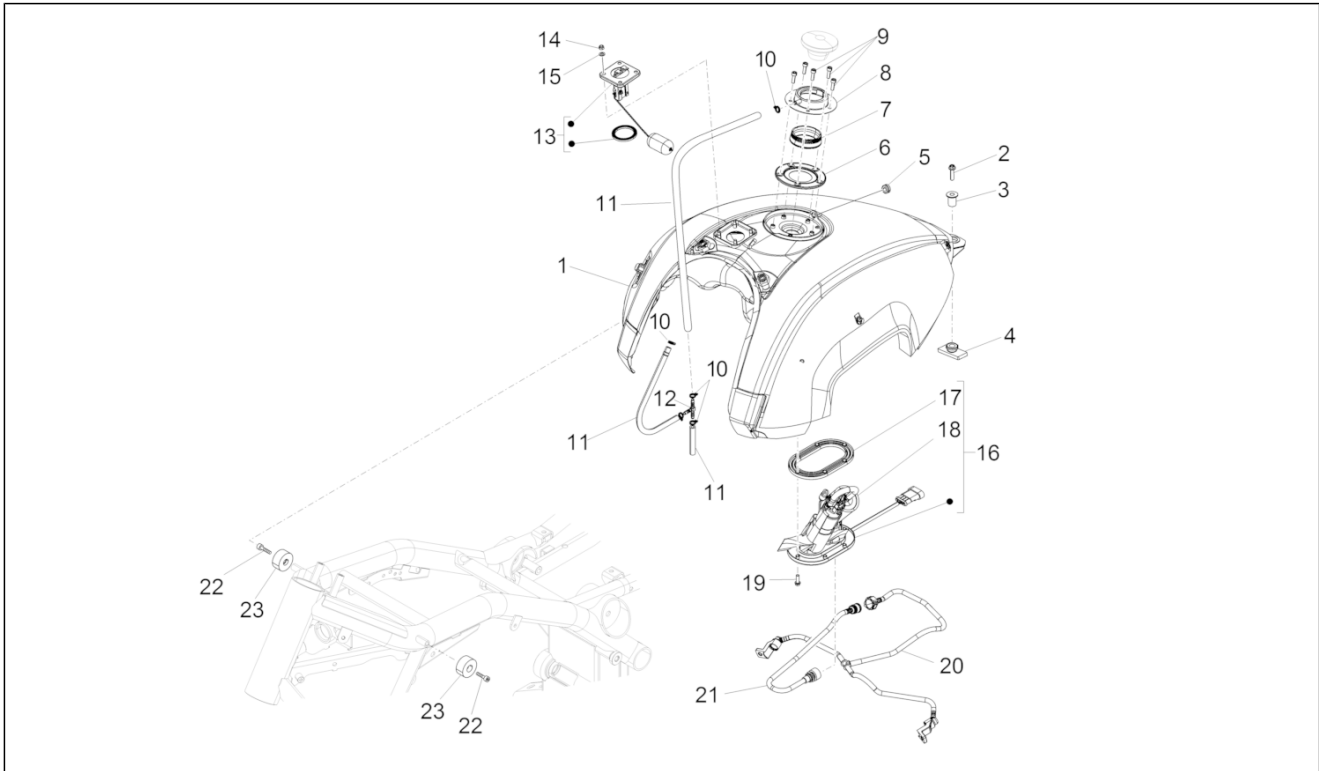
Pos.	Code	Description	Qty	Variants
1	2D000239	Rh rear light	1	
2	2D000240	Lh rear light	1	
3	2B002670	Rear reflector support	1	
4	2B003107	Reflector support	1	
5	031056	screw M5x12	1	
6	2D000267	Reflector	1	
7	2D000284	Number-plate light	1	
8	AP8202449	Clip	6	
9	AP8152043	Hex socket screw M4x10	2	
10	AP8201727	Black cable guide	6	
11	AP8150382	Washer 15x5,5X1,2	1	
12	AP8150451	Low self-locking nut	1	
13	AP8150362	Self-tapping screw *	6	

Group	Lights - Instruments
Code	08.40
Description	Radio
Service	1



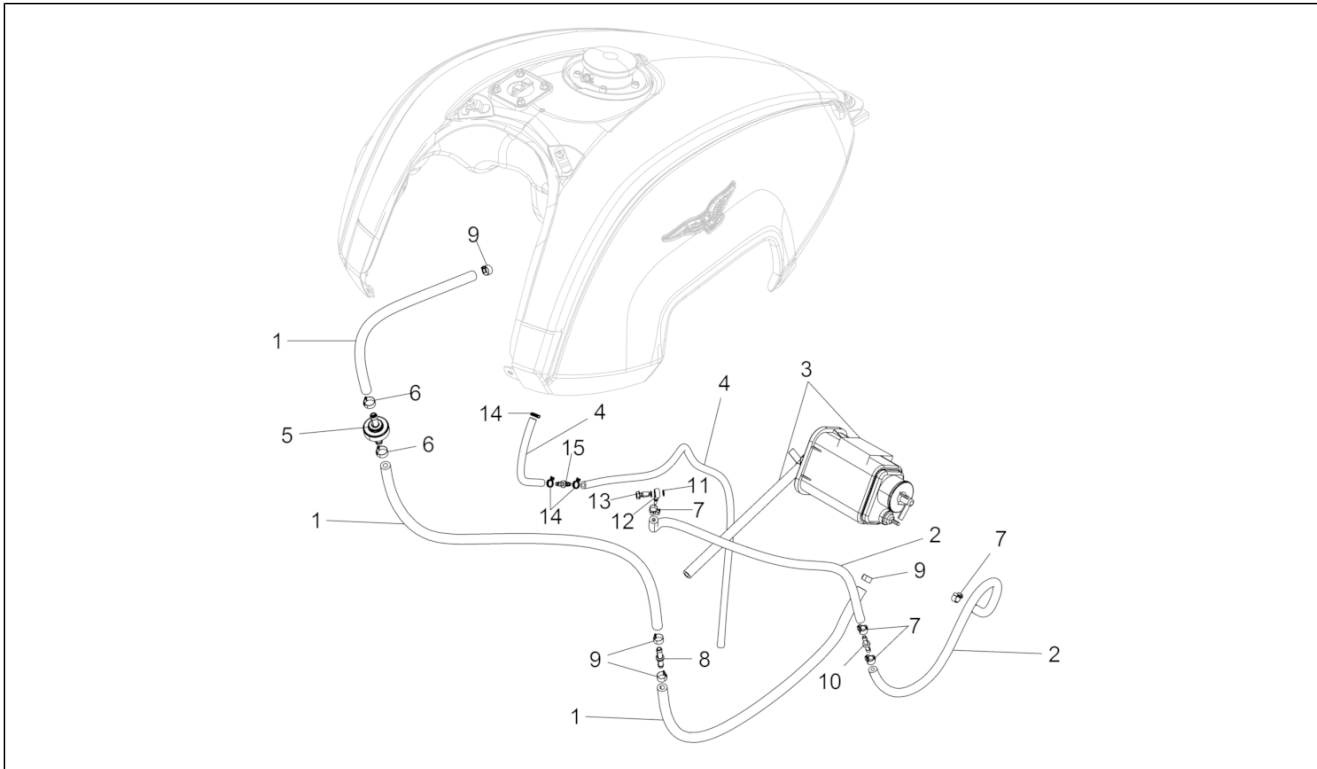
Pos.	Code	Description	Qty	Variants
1	2D000121	Radio car antenna	1	
2	B005629	Molletta	2	
3	2B003335	Pad	2	
4	2D000123	Loudspeaker Tweeter	2	
5	2B003513	Flange	2	
6	2D000122	Loudspeaker Woofer	2	
7	AP8150413	Self-tap screw 3,9x14	8	
8	AP8102671	Plastic rivet	8	
9	AP8150421	Self-tap screw 2,9x12	4	
10	890760	Instrument support	8	
11	2D000125	Speakers Wiring	2	
12	2D000124	Radio wiring	1	
13	2D000120	Radio car	1	
14	AP8152329	Phillips screw, SWP M5x20	2	

Group	Tank
Code	09.010
Description	Fuel tank
Service	1



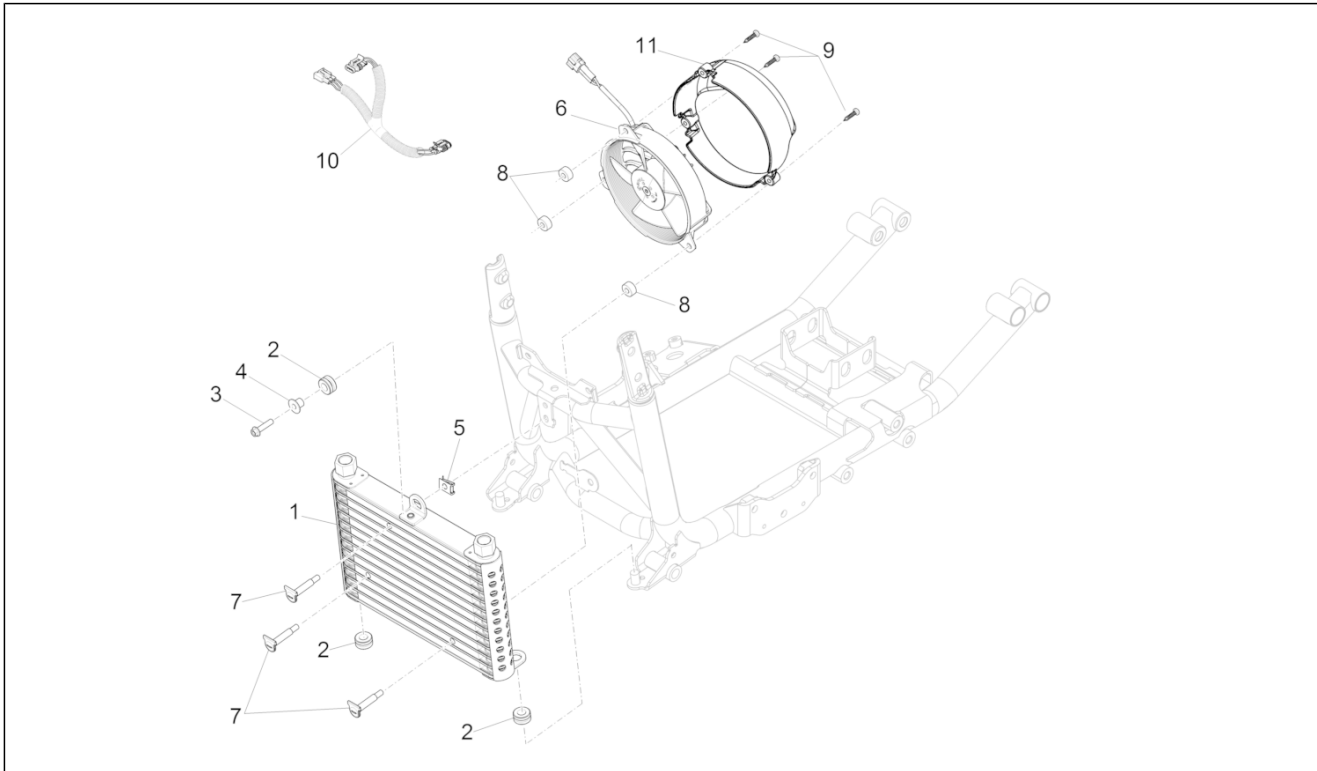
Pos.	Code	Description	Qty	Variants
1	2B000147500YN4	Fuel tank, black	1	
1	2B000147	Unfinished fuel tank	1	Colour:Blank[Gr]
2	AP8152281	Screw w/ flange M6x30	1	
3	AP8121511	Bush	1	
4	AP8120557	Tank rubber	1	
5	AP8120405	Rubber spacer	1	
6	B063080	Cap flange gasket	1	
7	B063246	Fuel cap flange spacer	1	
8	B063079	Fuel cap coupling flange	1	
9	B043864	Hex socket screw M5x14	5	
10	AP8101595	Hose clamp D10,1	5	
11	GU00823944050	pipe 5X9	4	
12	AP8104666	3-way union	1	
13	B063706	Fuel level sensor	1	
14	AP8150311	Low self-locking nut	4	
15	GU95008205	Washer 5,3x10x0,8	4	
16	B063104	Fuel pump	1	
17	GU01107490	Gasket	1	
18	GU01106090	Fuel filter	1	
19	AP8152273	Screw w/ flange M5x15	6	
20	2B002249	Fuel pipe complete with joints	1	
21	2B002248	Tank fuel pipe	1	
22	GU98882416		2	
23	AP8201124	Rubber spacer *	2	

Group	Tank
Code	09.020
Description	Fuel vapour recover system
Service	1



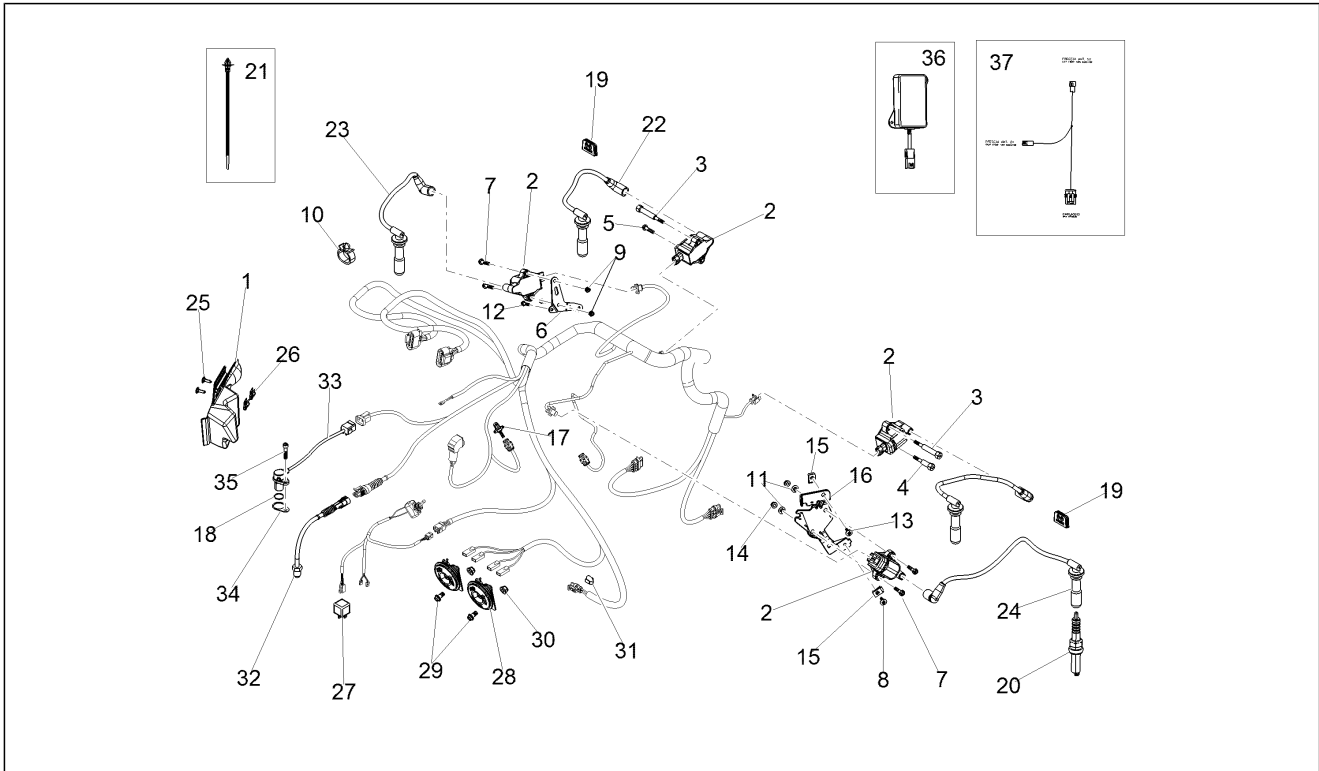
Pos.	Code	Description	Qty	Variants
1	856063	pipe SAE 30 d.12,7x6,35	3	
2	856062	pipe SAE 30 d.11,11x4,8	2	
3	GU01116031	Carbon filter	1	
4	AP8220402	pipe 5x9	2	
5	AP8104614	Pressure valve	1	
6	AP8102239	Hose clamp 12,5x8	2	
7	AP8102738	Hose clamp	4	
8	2B000219	Joint	1	
9	AP8102159	Hose clamp	6	
10	GU06704700	Joint	1	
11	GU90706009	O-ring 6x1	2	
12	GU95963062	Joint	1	
13	GU95990023	Bored screw	1	
14	AP8102377	Hose clamp D9,1*	3	
15	AP8101944	2-way union	1	

Group	Cooling system
Code	10.010
Description	Oil radiator
Service	1



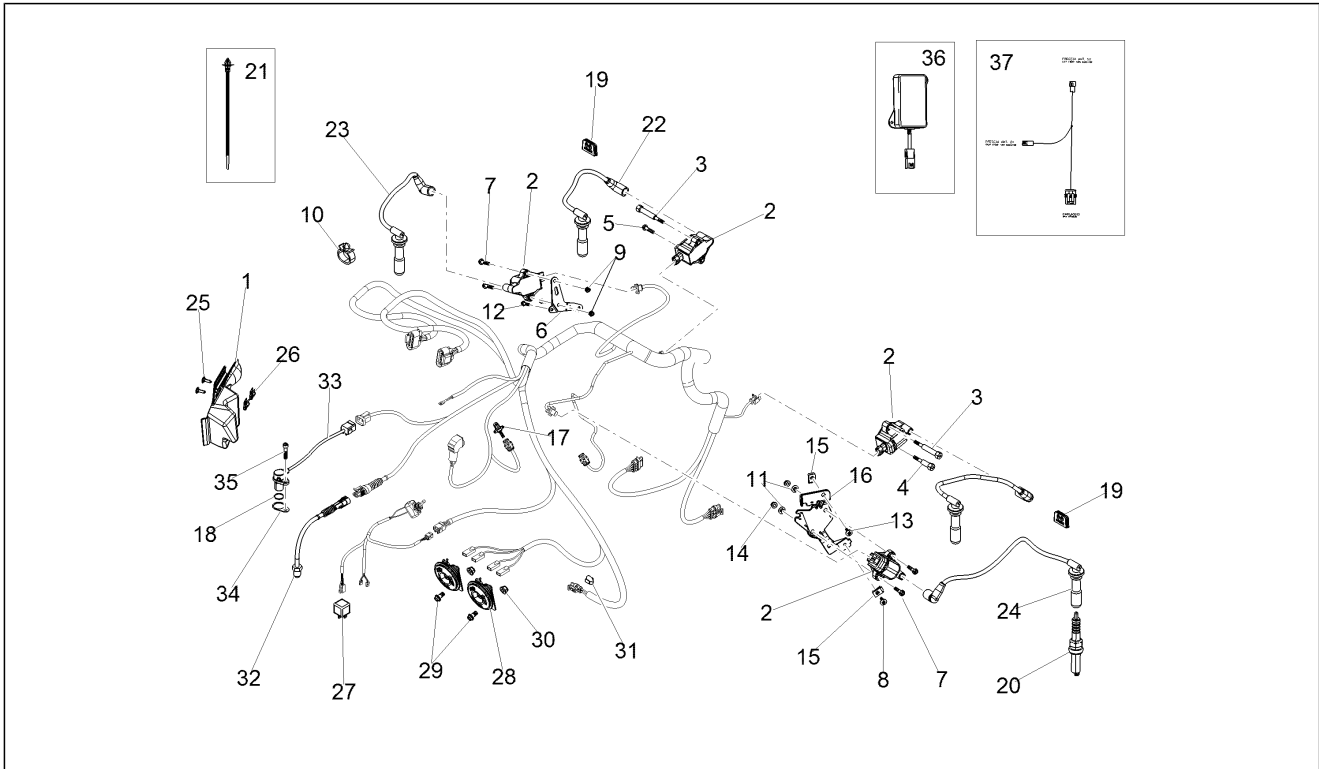
Pos.	Code	Description	Qty	Variants
1	2B000889	Oil cooler	1	
2	AP8120030	Rubber spacer	3	
3	AP8152280	Screw w/ flange M6x25	1	
4	AP8221023	T bush	1	
5	254485	Spring plate M6	1	
6	886235	Electric fan assy.	1	
7	AP8121464	Pin	3	
8	AP8161083	Spacer	3	
9	478533	Self-tap screw	3	
10	B063434	Electric fan cable harness	1	
11	B064009	Cooling hood	1	

Group	Electrical systems
Code	11.010
Description	Front electrical system
Service	1



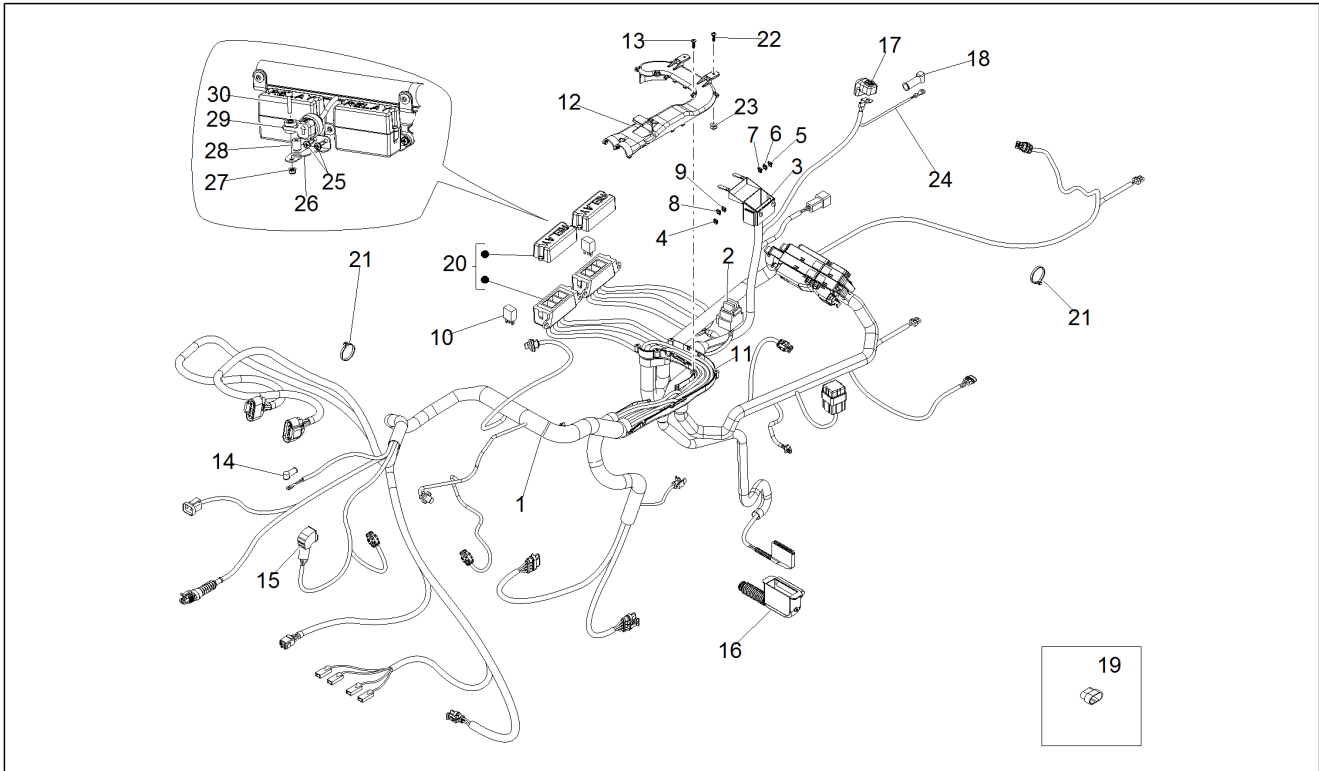
Pos.	Code	Description	Qty	Variants
1	887955	Box	1	
2	641901	HT coil	4	
3	B063162	Stud bolt	2	
4	B063844	Stud bolt	1	
5	AP8152280	Screw w/ flange M6x25	1	
6	B063508	Coil holder	1	
7	AP8152281	Screw w/ flange M6x30	2	
8	976614	Hex socket screw M5x15	2	
9	GU92630206	Self-locking nut M6x1	2	
10	641652	Spring	1	
11	AP8121032	Bush	2	
12	AP8152278	Screw w/ flange M6x16	2	
13	AP8152302	Screw w/ flange M5x12	2	
14	AP8152299	Self-locking nut M6	2	
15	248419	Spring plate M5	2	
16	B063742	Coil holder	1	
17	AP8124936	Air temp. Sensor	1	
18	GU90706141	O-ring	1	
19	B063131	Rubber spacer	2	
20	887016	Spark plug NGK LMAR8F-9	4	
21	B064017	Clamp with arrow head and sucker cup	1	
22	2D000182	Complete H.V. cable	2	
23	2D000181	Complete H.V. cable	1	
24	2D000180	Complete H.V. cable	1	
25	AP8152302	Screw w/ flange M5x12	2	
26	248419	Spring plate M5	2	
27	AP8224462	Relay 12V-30A	1	
28	890979	Horn	1	

Group	Electrical systems
Code	11.010
Description	Front electrical system
Service	1



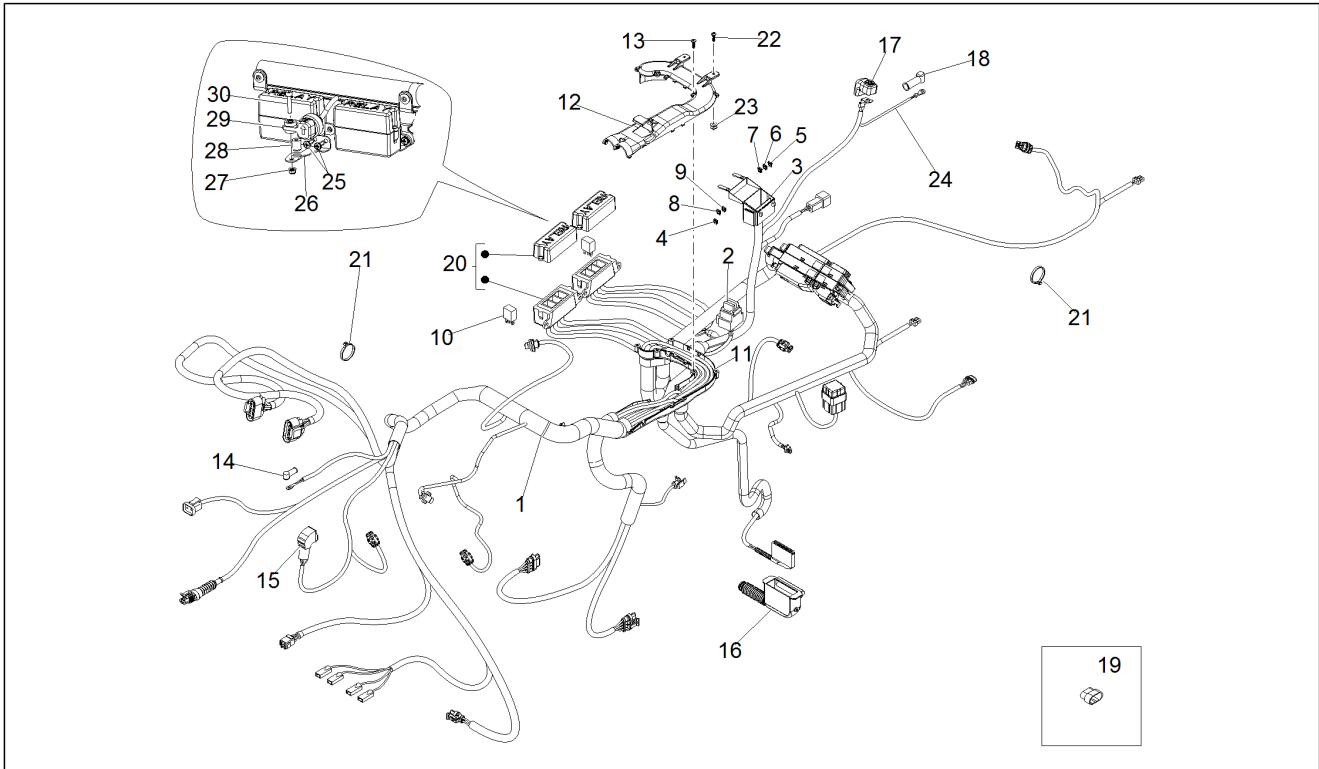
Pos.	Code	Description	Qty	Variants
29	GU98370616	Hex socket screw M6x16 inox	2	
30	254485	Spring plate M6	2	
31	890760	Instrument support	2	
32	887421	Heat temperature sensor	1	
33	832029	Encoder sensor	1	
34	B063592	Plate	1	
35	GU98682316	Hex socket screw M6x16	1	
36	2D000249	Smartphone interface control unit	1	
37	2D000253	Turn ind.harness	1	

Group	Electrical systems
Code	11.020
Description	Central electrical system
Service	1



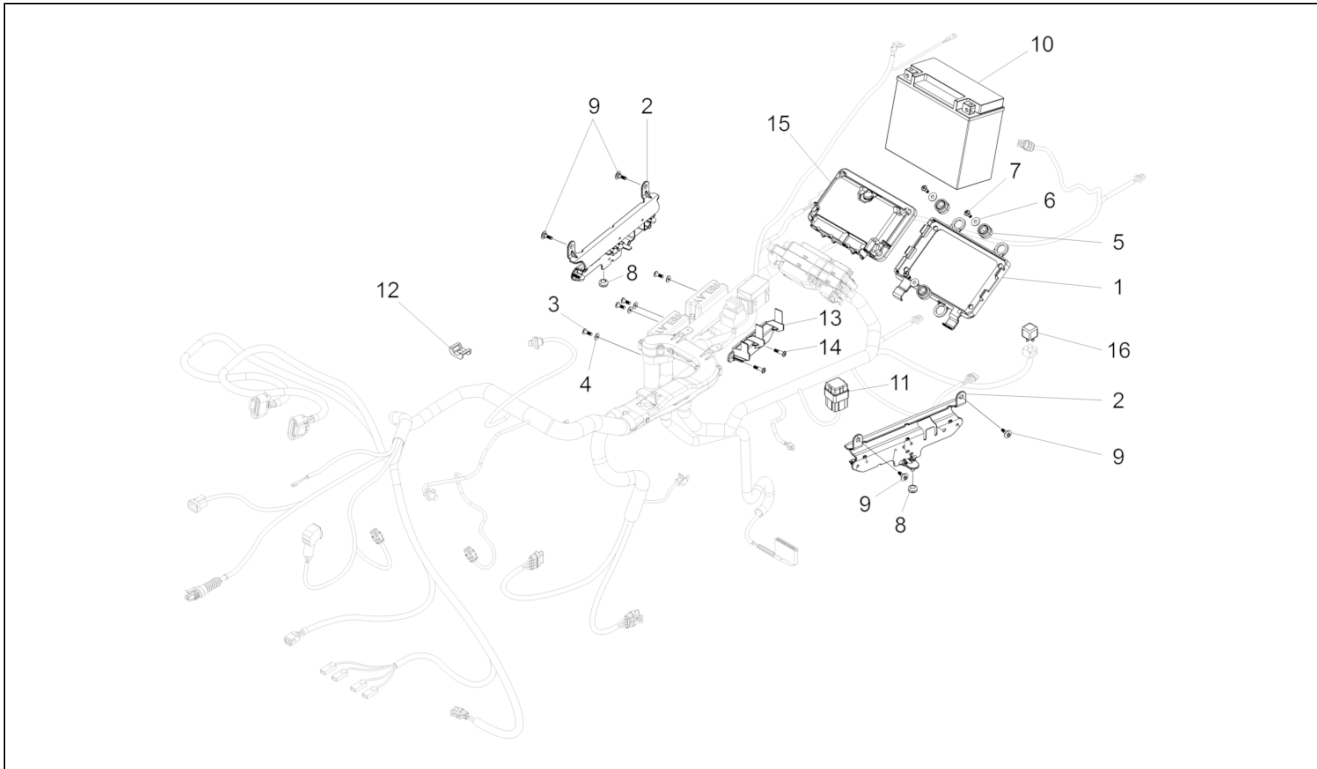
Pos.	Code	Description	Qty	Variants
1	2D000252	Main wiring harness	1	
2	AP8112811	Rubber fuse box	1	
3	894603	Fuse holder box	1	
4	CM225607	Fuse 7,5A	3	
5	CM225610	Fuse 10A	1	
6	CM225615	Fuse 15A	5	
7	CM225620	Fuse 20A	2	
8	CM225730	Fuse 30A	2	
9	CM225740	Fuse 40A	2	
10	895907	Relay 20A	6	
11	2B000353	Cable duct base	1	
12	2B000354	Cable duct cover	1	
13	AP8150413	Self-tap screw 3,9x14	6	
14	581061	Cap	1	
15	856152	Insulating cap	1	
16	860746	Insulating cap	1	
17	895701	Terminal cap	1	
18	977916	Insulating cap	1	
19	582928	Plug connect diagnos ECU	1	
20	AP8124293	Relais support	1	
21	145298	Lock-strap L=180mm	2	
22	AP8150413	Self-tap screw 3,9x14	2	
23	AP8102671	Plastic rivet	2	
24	B063433	Earth cable	1	
25	AP8152329	Phillips screw, SWP M5x20	2	
26	2B000331	Support plate	1	
27	AP8152306	Self-locking nut M5	1	
28	AP8120712	Rubber spacer	1	

Group	Electrical systems
Code	11.020
Description	Central electrical system
Service	1



Pos.	Code	Description	Qty	Variants
29	642248	Fall sensor	1	
30	GU98680225	Hex socket screw M5x25	1	

Group	Electrical systems
Code	11.030
Description	Rear electrical system
Service	1



Pos.	Code	Description	Qty	Variants
1	858882	Maintenance	1	
2	B063013	Relais support	2	
3	AP8150509	Self-tap screw 5x14	4	
4	AP8150501	Washer	4	
5	AP8220150	Rubber spacer	3	
6	AP8150382	Washer 15x5,5X1,2	3	
7	AP8150509	Self-tap screw 5x14	3	
8	AP8112600	Rubber spacer	2	
9	AP8152302	Screw w/ flange M5x12	4	
10	883818	Battery	1	
11	896715	Relay rubber	1	
12	896675	Wiring harness support	2	
13	B063806	Bracket	1	
14	AP8152329	Phillips screw, SWP M5x20	2	
15	CM267202	Electronic injection control unit	1	
16	895481	Injection relay 12V-40W	1	